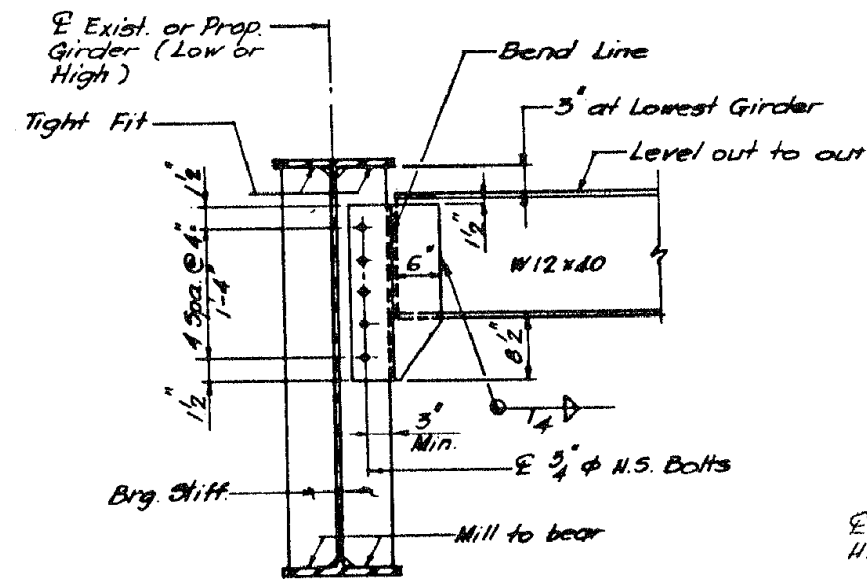
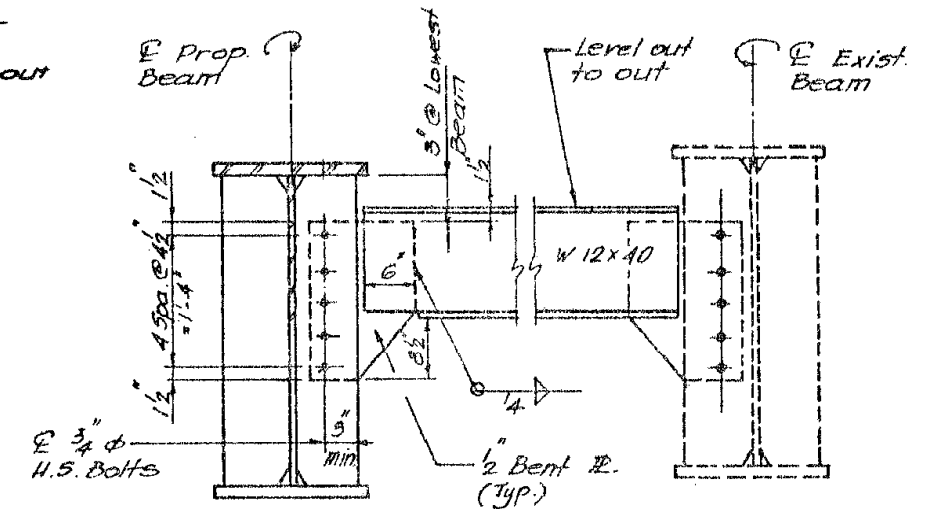


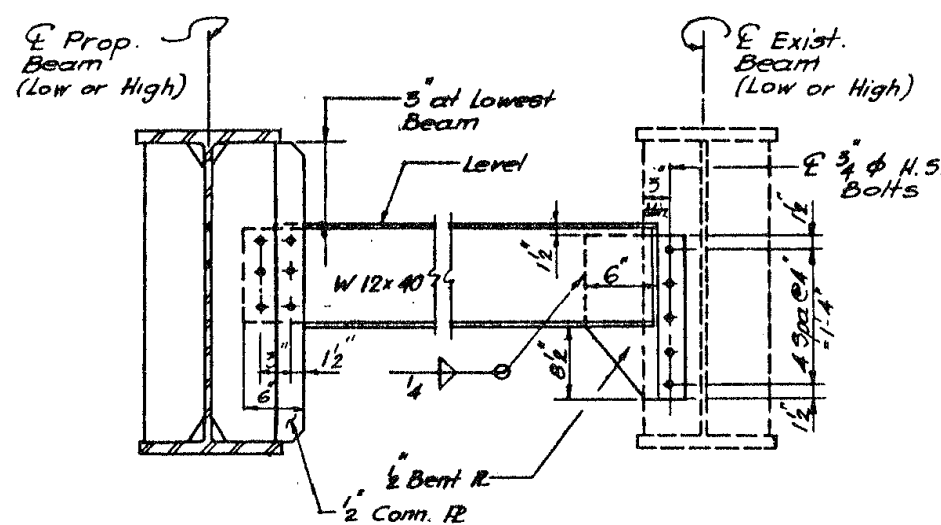
CF 1
TYPICAL END CROSS FRAME



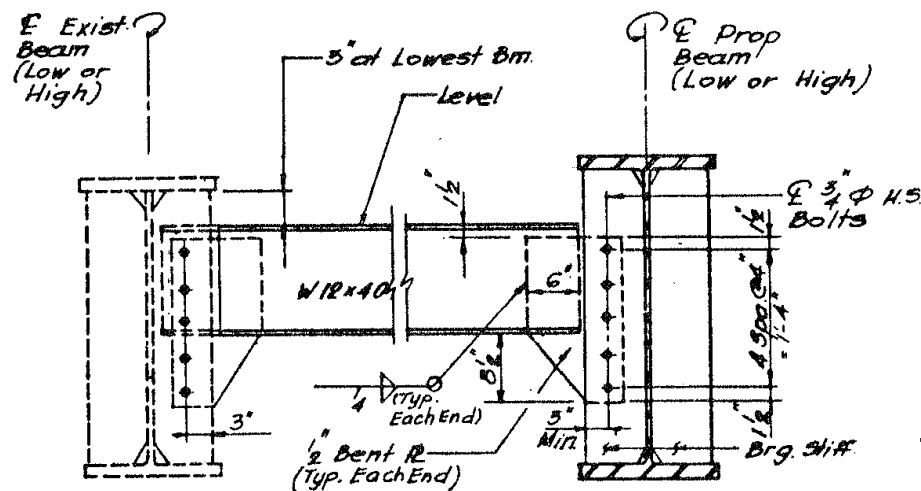
D 2
END DIAPHRAGM



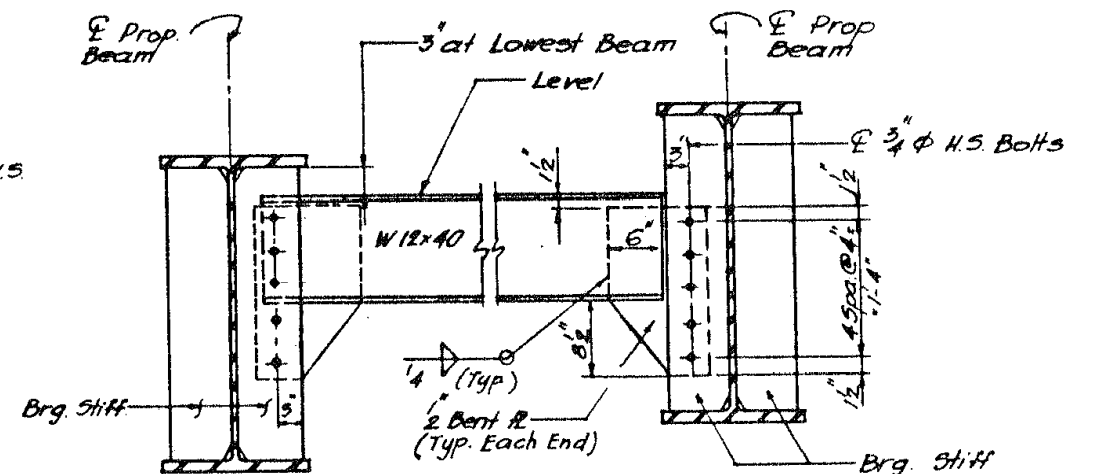
D 4
END DIAPHRAGM



D 7
END DIAPHRAGM



D 8
END DIAPHRAGM



D 10
END DIAPHRAGM

FILE NAME = USER NAME = aread PLOT SCALE = 2.0000' / IN. PLOT DATE = 3/29/2012	DESIGNED - AMR DRAWN - AMR CHECKED - JMH DATE - MARCH, 2012	REVISED - REVISED - REVISED - REVISED -	STATE OF ILLINOIS DEPARTMENT OF TRANSPORTATION	CROSS FRAME & DIAPHRAGM DETAILS - LOCATION 3 STRUCTURE NO. 016-1118			F.A.I. R.E. 90/94 SECTION 2011-057-BP COUNTY COOK TOTAL SHEETS 98 SHEET NO. 75
				SCALE: NTS SHEET NO. 15 OF 21 SHEETS STA. TO STA.	CONTRACT NO. 60P73 ILLINOIS FED. AID PROJECT		