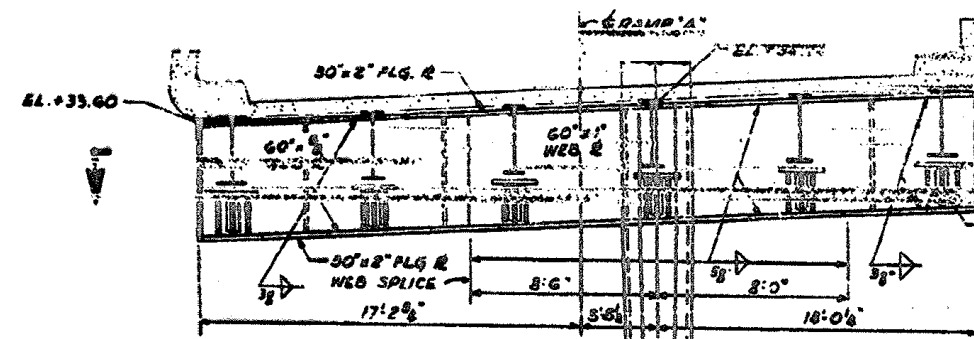
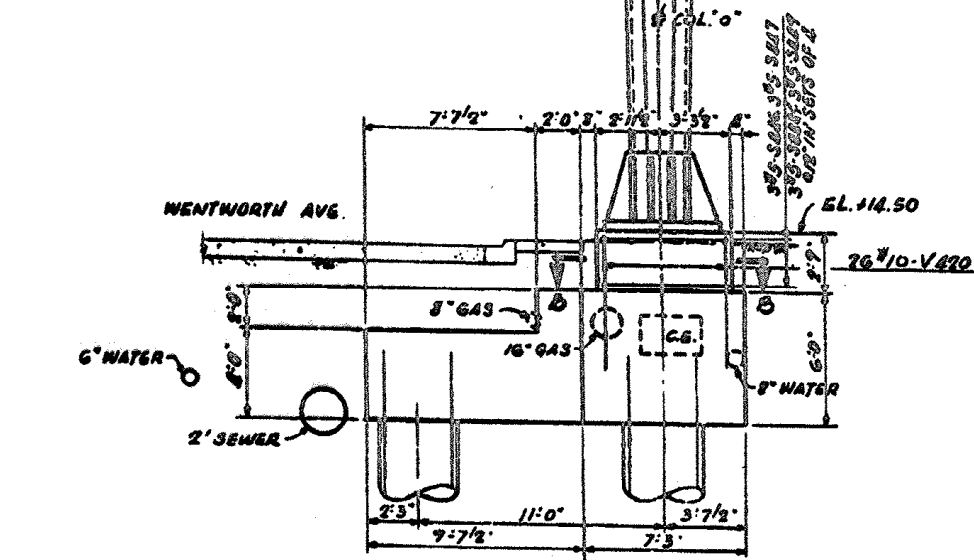


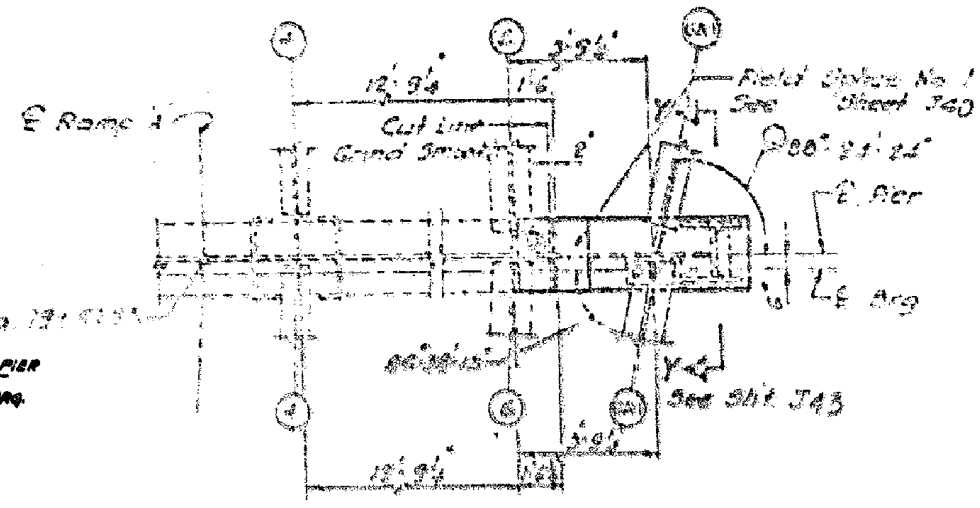
SECTION A-A



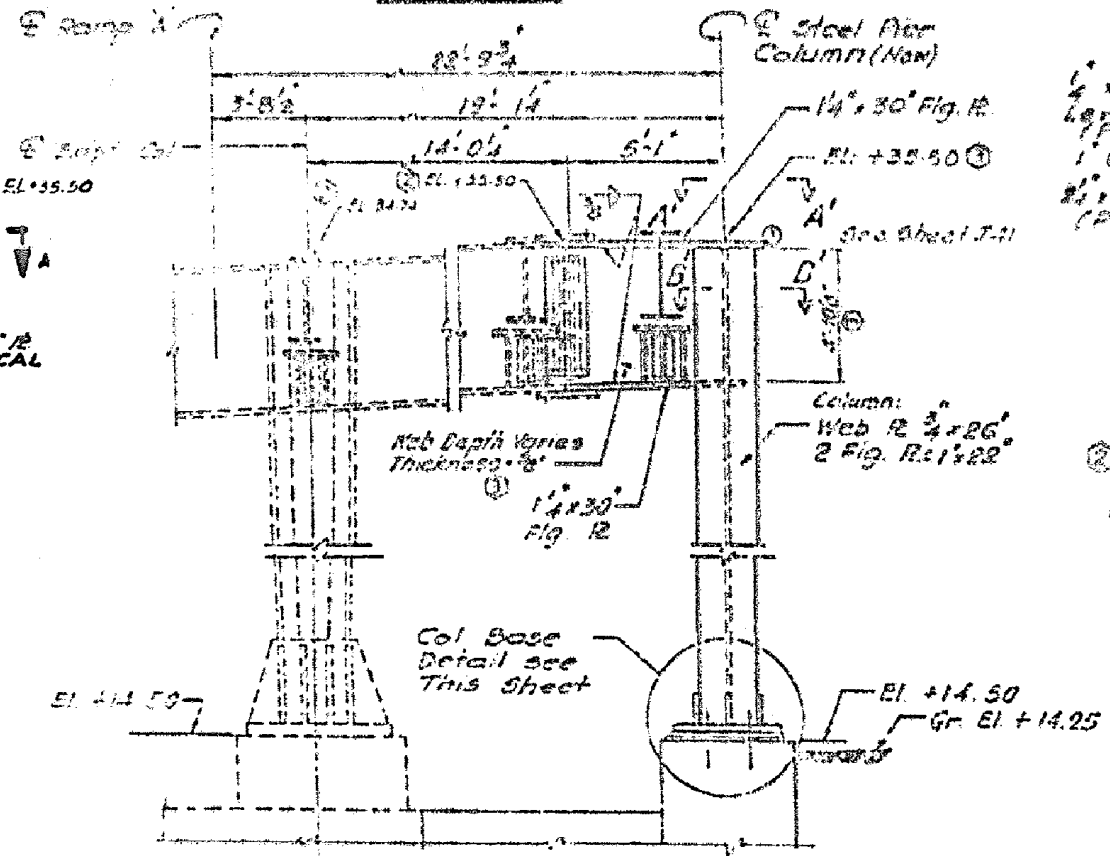
ELEVATION



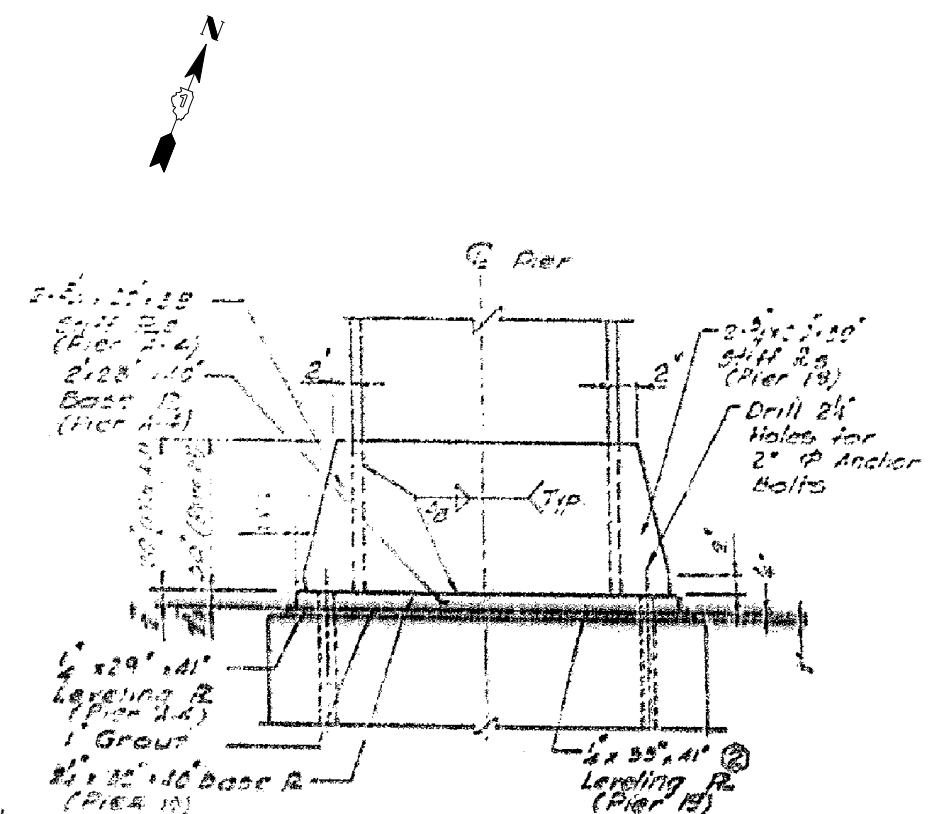
ELEVATION



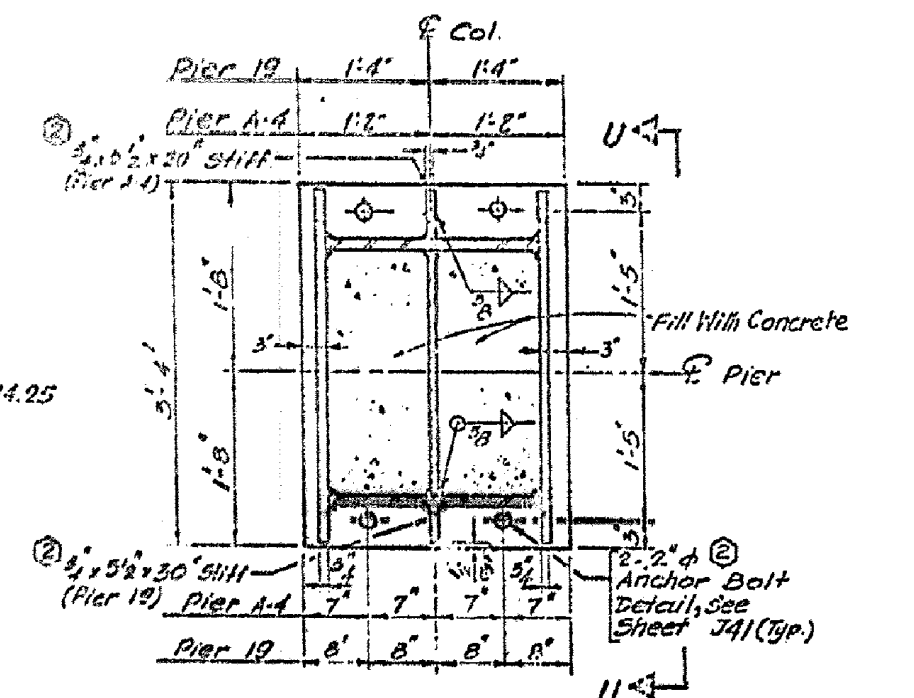
TOP PLAN



ELEVATION PIER-A4 (Looking Upstation)



SECTION U-U



PLAN COLUMN BASE DETAIL

FILE NAME = USER NAME = aread DESIGNED - AMR DRAWN - AMR PLOT SCALE = 2.0000 "/>	DESIGNED - AMR DRAWN - AMR CHECKED - JMH DATE - MARCH, 2012	REVISED - REVISED - REVISED - REVISED -	STATE OF ILLINOIS DEPARTMENT OF TRANSPORTATION	PIER A4 - LOCATION 4 STRUCTURE NO. 016-1067	F.A.I. RTE. 90/94 SECTION 2011-057-BP COUNTY COOK TOTAL SHEETS 98 SHEET NO. 87	SCALE: NTS SHEET NO. 6 OF 12 SHEETS STA. TO STA.	CONTRACT NO. 60P73 ILLINOIS FED. AID PROJECT
	PLOT DATE = 3/29/2012	DATE - MARCH, 2012			REVISED -	CONTRACT NO. 60P73	
					ILLINOIS FED. AID PROJECT		
					ILLINOIS FED. AID PROJECT		