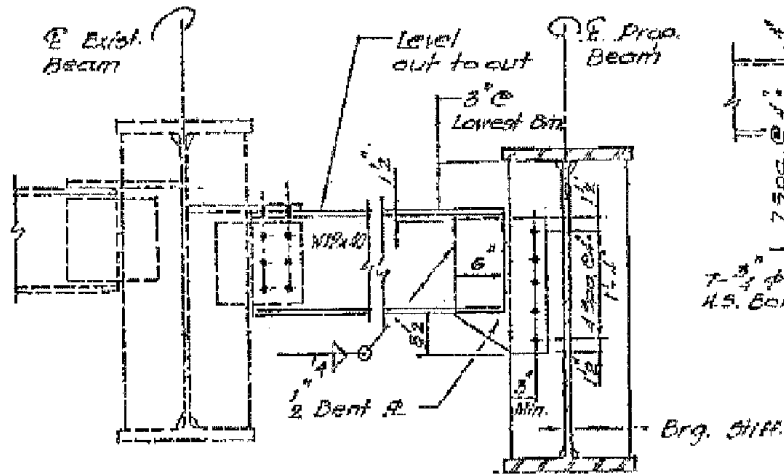
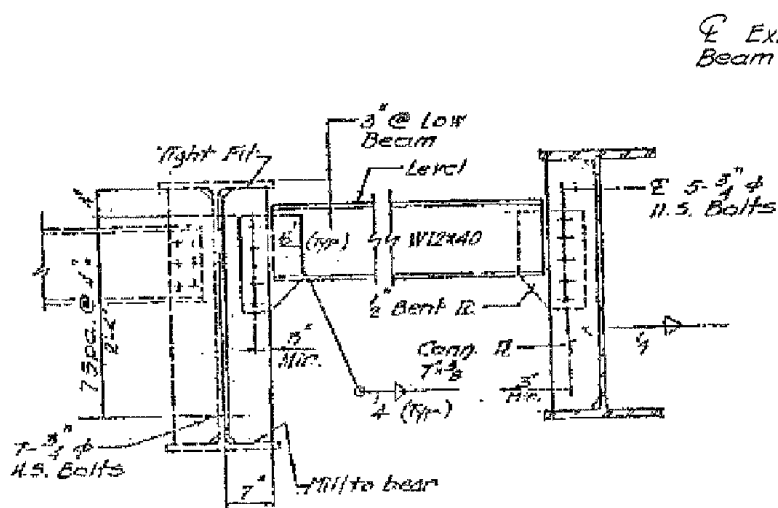


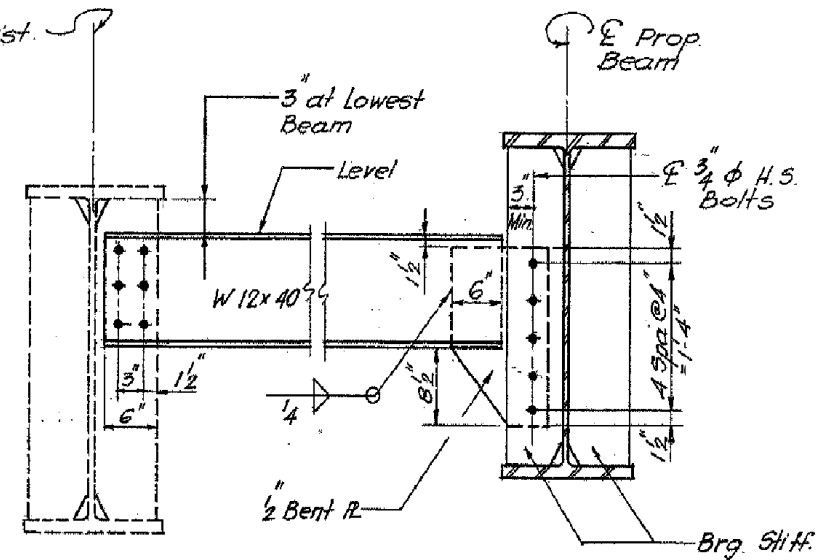
D 2
END DIAPHRAGM



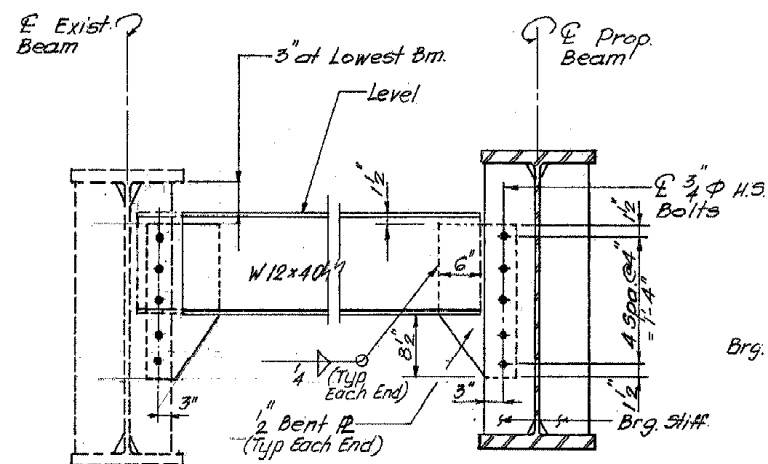
D 3
END DIAPHRAGM



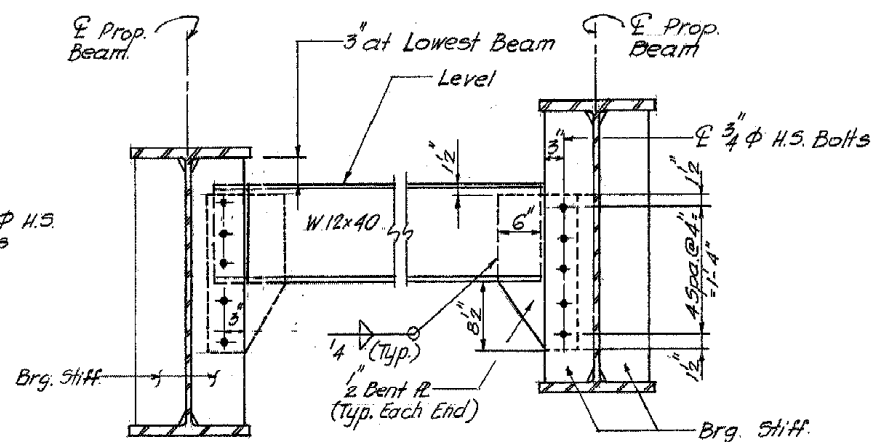
D 5
END DIAPHRAGM



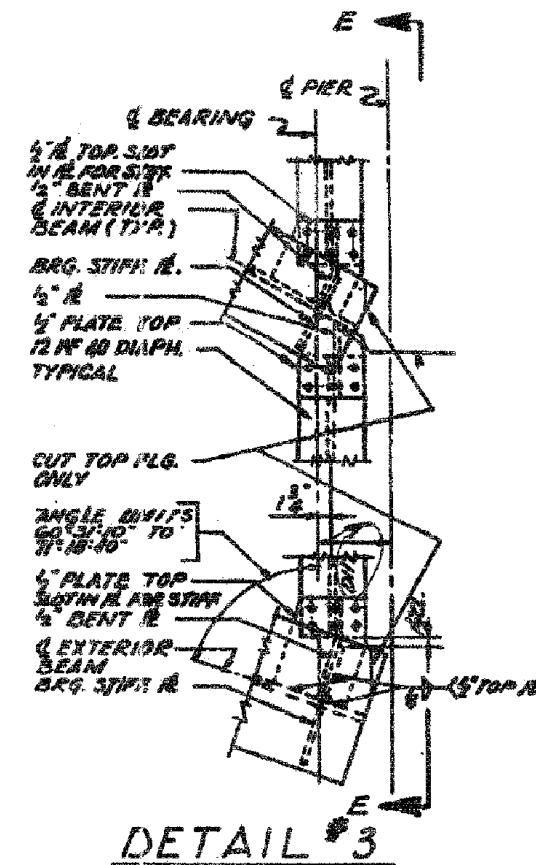
D 7
END DIAPHRAGM



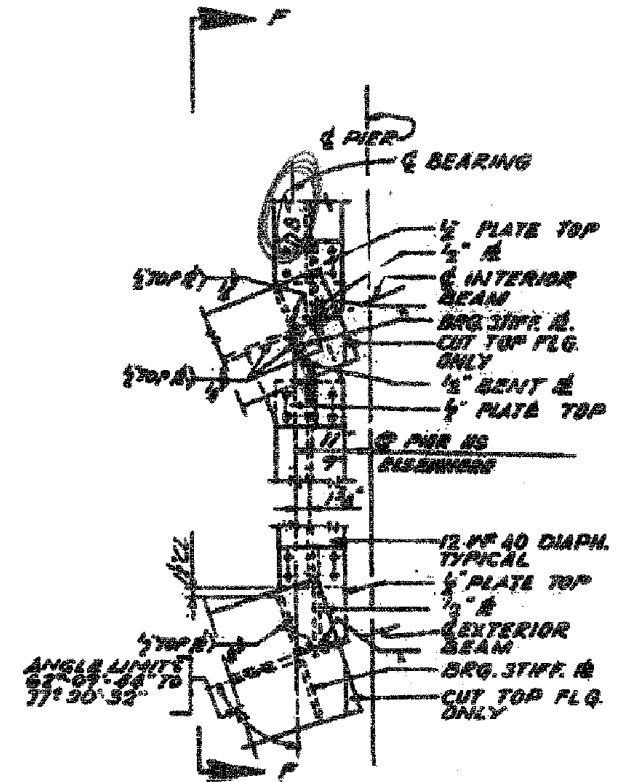
D 8
END DIAPHRAGM



D 10
END DIAPHRAGM



DETAIL 3



DETAIL 4