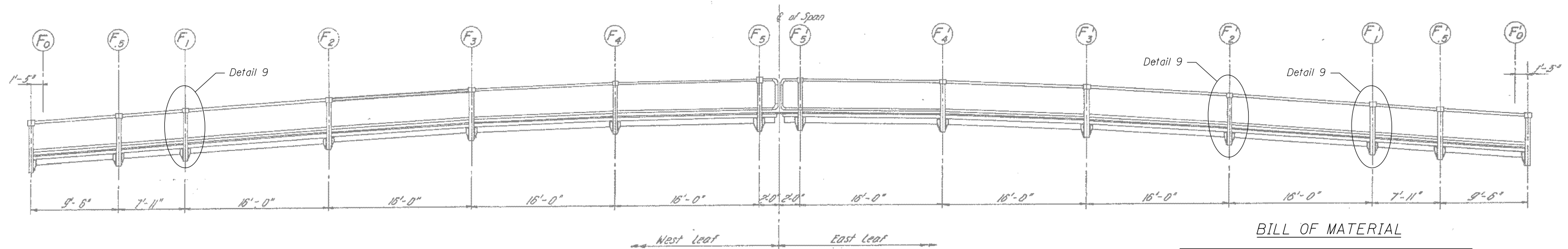


NORTH RAILING ELEVATION



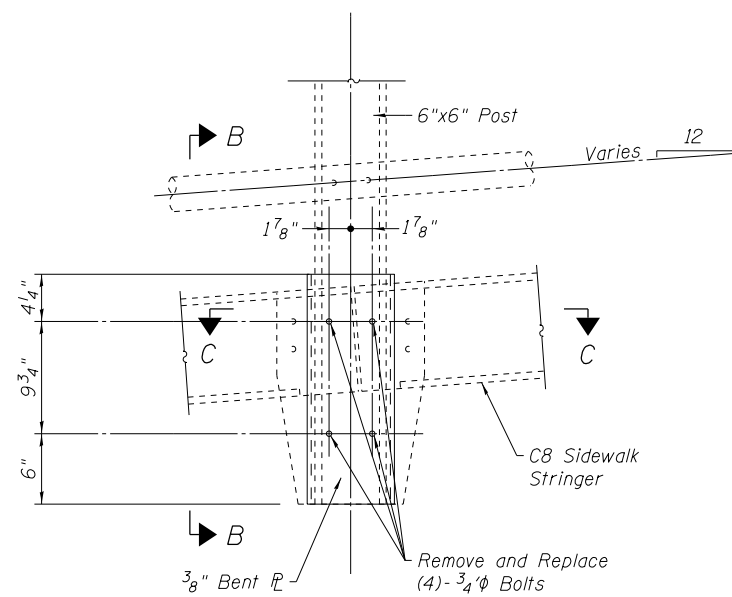
SOUTH RAILING ELEVATION

BILL OF MATERIAL

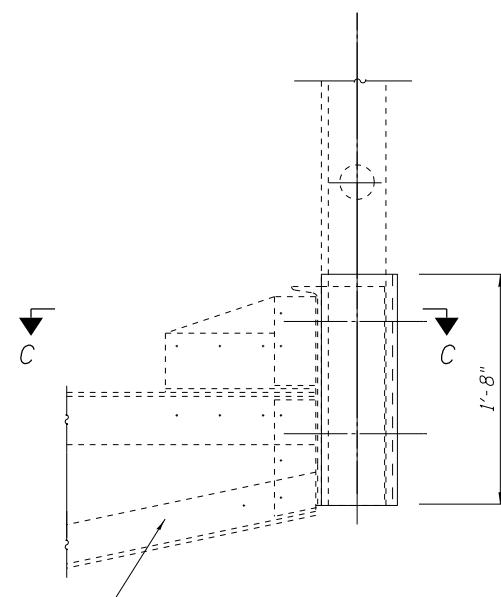
ITEM	UNIT	Quantity
Structural Steel Repair	Pound	240

NOTES:

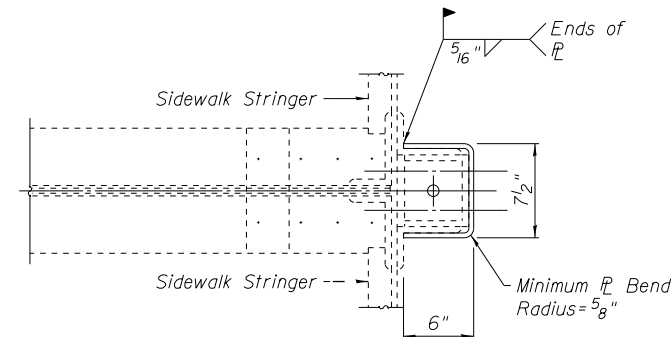
- Plan dimensions and details relative to existing plans are subject to nominal construction variations. The Contractor shall field verify existing dimensions and details affecting new construction and make necessary approved adjustments prior to construction or ordering of materials. Such variations shall not be cause for additional compensation for a change in scope of the work, however, the Contractor will be paid for the quantity actually furnished at the unit price bid for the work.
- The details shown are the final configurations and details. The Contractor shall be responsible for obtaining approval for all methods and procedures necessary to achieve the details shown.
- The Contractor shall verify all pertinent dimensions prior to fabrication.
- Where removal of existing rivets is required to facilitate the work, remove rivets and replace with the same diameter high strength bolts, unless noted otherwise.
- New and existing structural steel shall be painted in accordance with the notes shown on Sheet S2. Where field welds are shown on the Plans, new and existing structural steel shall be painted in accordance with Section 506 of the Standard Specifications after welding operations have been completed.
- All bolts on this page are $\frac{3}{4}$ " ϕ in $\frac{13}{16}$ " ϕ holes, unless noted otherwise.
- Cost of welding included in Pay Item for Structural Steel Repair.
- In lieu of bent plate, additional steel shapes may be proposed by the Contractor and shall be submitted to the Engineer for approval.



DETAIL 9



SECTION B-B



SECTION C-C

FILE NAME =	USER NAME =	DESIGNED - JMS	REVISED -
		CHECKED - JMH	REVISED -
		DRAWN - PRH	REVISED -
		CHECKED - JMH	REVISED -

STATE OF ILLINOIS
DEPARTMENT OF TRANSPORTATION

BASCULE SPAN HANDRAIL ELEVATION & REPAIR DETAILS
STRUCTURE NO. 099-0166

SHEET NO. 58 OF 59 SHEETS

F.A.P. RTE.	SECTION	COUNTY	TOTAL SHEETS	SHEET NO.
607	2011-065-BR	WILL	33	21
CONTRACT NO. 60P84				

ILLINOIS FED. AID PROJECT