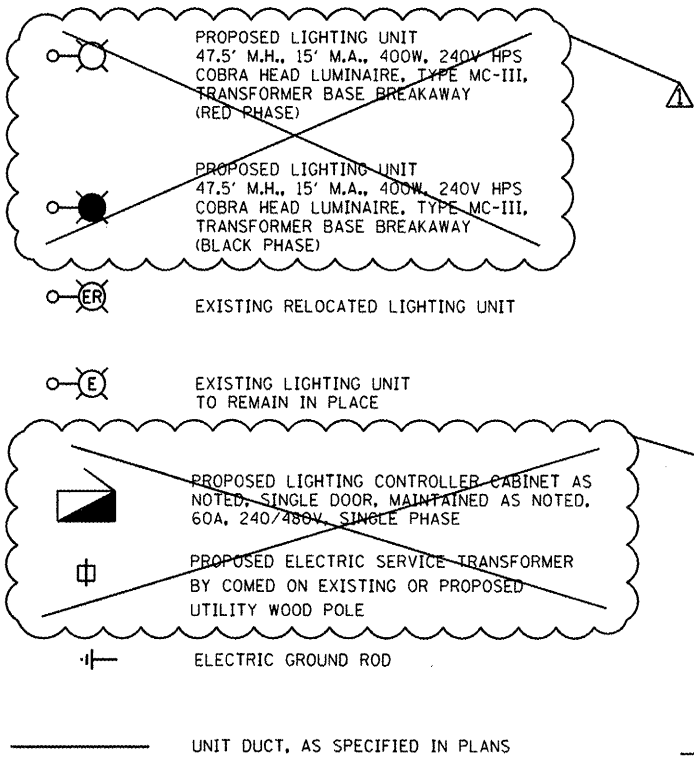


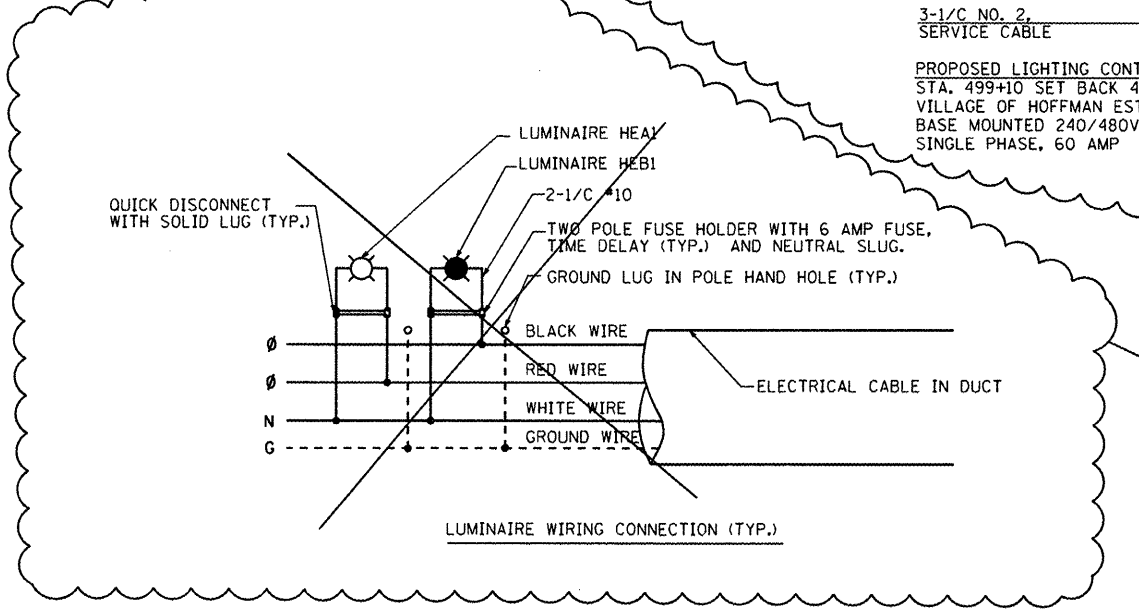
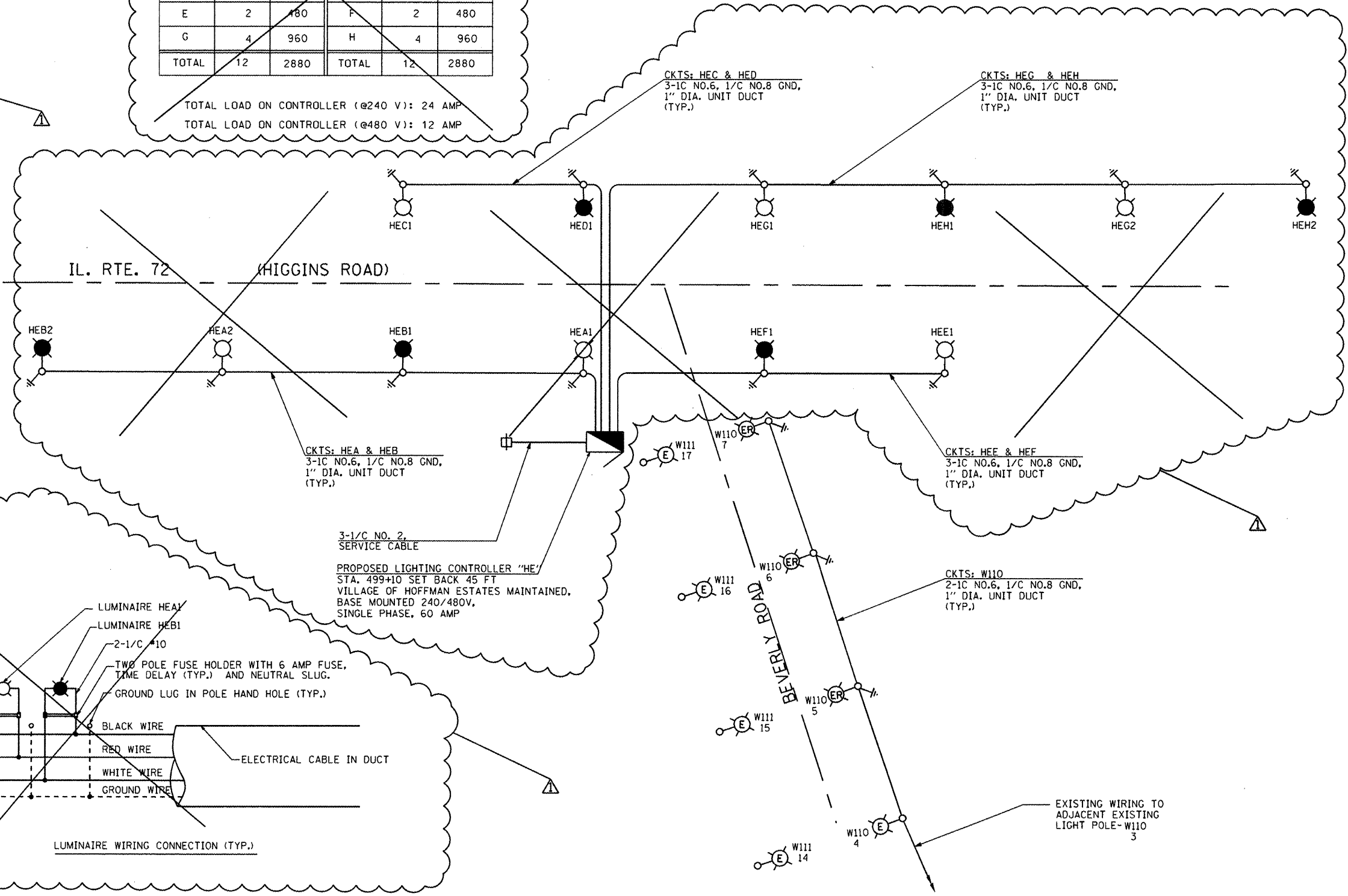
LEGEND



LOAD TABLE
PROPOSED LIGHTING CONTROLLER "HE"
(@ 240 VOLTS)

CIRCUIT	RED PHASE		CIRCUIT	BLACK PHASE	
	AMPS	WATTS		AMPS	WATTS
A	4	960	B	4	960
C	2	480	D	2	480
E	2	480	F	2	480
G	4	960	H	4	960
TOTAL	12	2880	TOTAL	12	2880

TOTAL LOAD ON CONTROLLER (@240 V): 24 AMP
TOTAL LOAD ON CONTROLLER (@480 V): 12 AMP



k:\projects\projects 2011\illinois\various\ill rte 72 at beverly rd\060909-Lighting 4.dgn
 FILE NAME :
 USER NAME :
 \$USER\$

GO GANDHI AND ASSOCIATES, INC.
ENGINEERS AND PLANNERS
6035 N. NORTHWEST HIGHWAY
SUITE 306
CHICAGO, ILLINOIS 60631 TEL: (773) 774-5900

DESIGNED - SM	REVISED - 05/24/12- ADDENDUM
DRAWN - SM	REVISED -
CHECKED - PKG/MA	REVISED -
DATE - 5/24/2012	REVISED -

**STATE OF ILLINOIS
DEPARTMENT OF TRANSPORTATION**

**IL 72 - HIGGINS RD
AT BEVERLY RD AND AT ROCK ROAD DR**

PROPOSED SINGLE LINE DIAGRAM

SCALE: SHEET NO. OF SHEETS STA. TO STA.

F.A.P. RTE.	SECTION	COUNTY	TOTAL SHEETS	SHEET NO.
341	2011-071-N	COOK/KANE	56	37
FED. ROAD DIST. NO. 1 ILLINOIS FED. AID PROJECT			CONTRACT NO. 60P90	

k:\projects\projects 2011\illinois\various\ill rte 72 at beverly rd\060909-Lighting 4.dgn