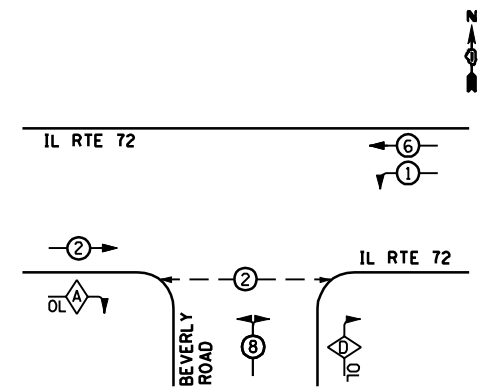


**PROPOSED CONTROLLER SEQUENCE**



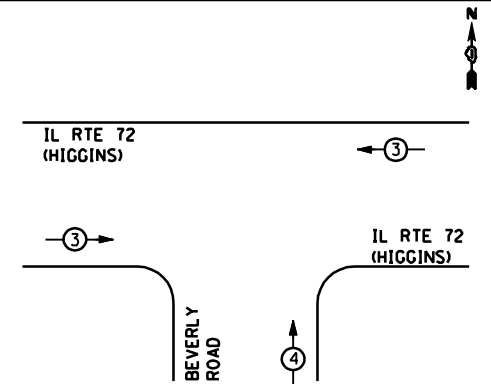
**LEGEND**

- ◀ □ ▶ SINGLE ENTRY PHASE
- ◀ ○ ▶ DUAL ENTRY PHASE
- ◀ ◊ ▶ OVERLAP
- ◀ ○ ▶ PEDESTRIAN PHASE
- NUMBER REFERS TO ASSOCIATED PHASE

OVERLAP LETTER	PERMISSIVE PHASE	PROTECTED PHASE
A	= 2	+ 8
D	= 8	+ 1

**PHASE DESIGNATION DIAGRAM**

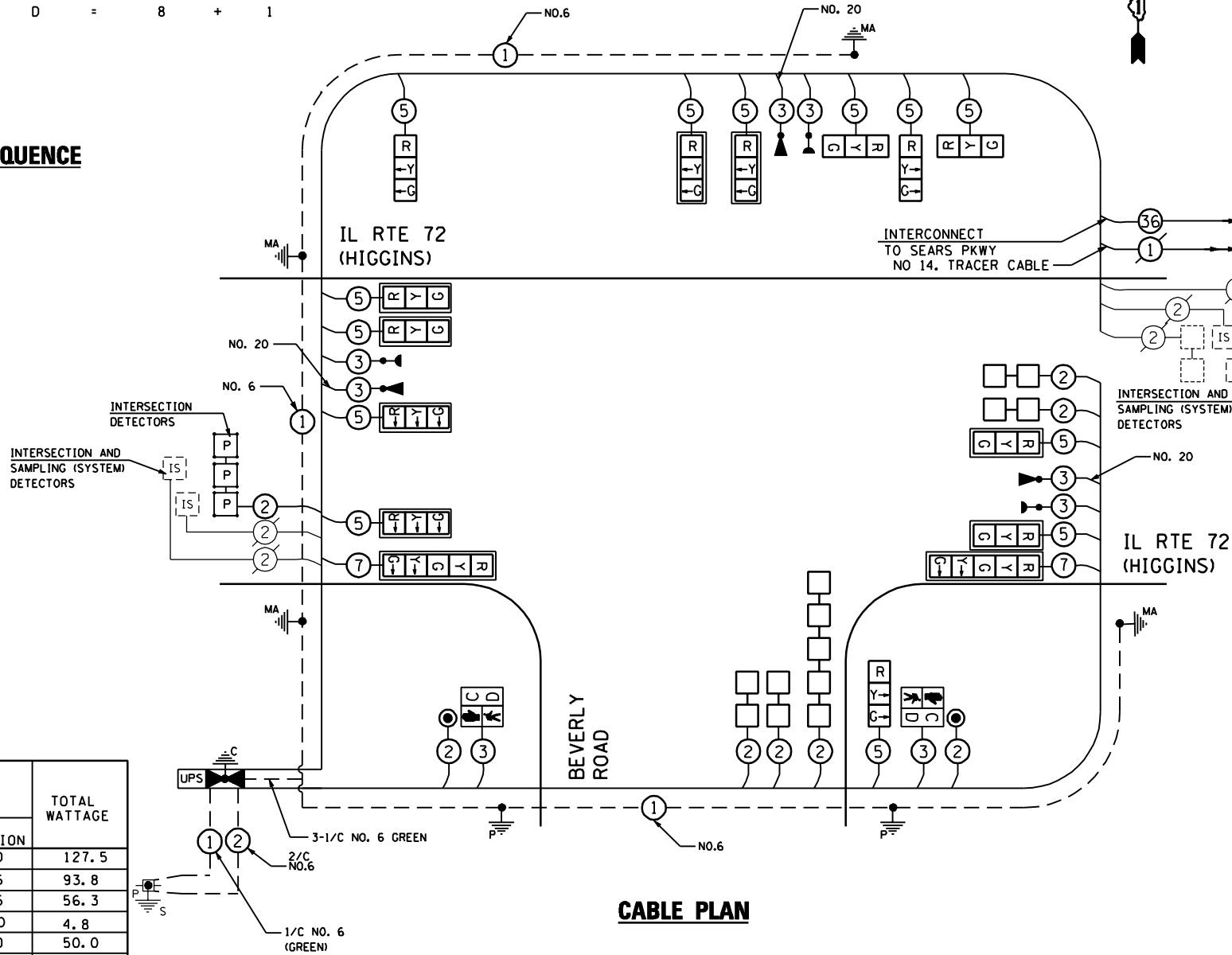
**EMERGENCY VEHICLE PREEMPTION SEQUENCE**



PROPOSED EMERGENCY VEHICLE PREEMPTORS		
EMERGENCY VEHICLE PREEMPTOR	3	4
MOVEMENT	↔	↑

I. D. O. T TRAFFIC SIGNAL INSTALLATION ELECTRICAL SERVICE REQUIREMENTS					TOTAL WATTAGE
TYPE	NO. OF LAMPS	WATTAGE INCAND.	L. E. D.	OPERATION	
SIGNAL (RED)	15	135	17	0.50	127.5
(YELLOW)	15	135	25	0.25	93.8
(GREEN)	15	135	15	0.25	56.3
ARROW	4	135	12	0.10	4.8
PED. SIGNAL	2	90	25	1.00	50.0
CONTROLLER	1	100	100	1.00	100
ILLUM. SIGN		84	120	0.05	
VIDEO VEH. SENSOR		15	15	1.00	
FLASHER				0.50	
TOTAL					432.3

ILLINOIS DEPARTMENT OF TRANSPORTATION  
 DIVISION OF HIGHWAY/DISTRICT 1  
 201 CENTER CT/SCHAUMBURG, IL 60196-1096  
 ENERGY SUPPLY - CONTACT: ROSE PECORARO  
 PHONE: (847) 608-2331  
 COMPANY: COMMONWEALTH EDISON



**CABLE PLAN**

**SCHEDULE OF QUANTITIES**

ITEM	UNIT	QUANTITY
PORTLAND CEMENT CONCRETE SIDEWALK 5 INCH	SQ FT	38
SIGN PANEL - TYPE 1	SQ FT	20
SERVICE INSTALLATION - POLE MOUNTED	EACH	1
UNDERGROUND CONDUIT, GALVANIZED STEEL, 2" DIA.	FOOT	40
UNDERGROUND CONDUIT, GALVANIZED STEEL, 3" DIA.	FOOT	145
UNDERGROUND CONDUIT, GALVANIZED STEEL, 4" DIA.	FOOT	158
HANDHOLE	EACH	2
HEAVY-DUTY HANDHOLE	EACH	1
TRANSCEIVER - FIBER OPTIC	EACH	1
ELECTRIC CABLE IN CONDUIT, SIGNAL, NO. 14 2C	FOOT	3034
ELECTRIC CABLE IN CONDUIT, SIGNAL, NO. 14 3C	FOOT	1587
ELECTRIC CABLE IN CONDUIT, SIGNAL, NO. 14 5C	FOOT	5112
ELECTRIC CABLE IN CONDUIT, SIGNAL, NO. 14 7C	FOOT	529
ELECTRIC CABLE IN CONDUIT, LEAD-IN, NO. 14 1 PAIR	FOOT	4851
ELECTRIC CABLE IN CONDUIT, SERVICE, NO. 6 2 C	FOOT	96
ELECTRIC CABLE IN CONDUIT, GROUNDING, NO. 6 1C	FOOT	567
TRAFFIC SIGNAL POST, GALVANIZED STEEL 10 FT.	EACH	1
TRAFFIC SIGNAL POST, GALVANIZED STEEL 14 FT.	EACH	1
STEEL MAST ARM ASSEMBLY AND POLE, 28 FT.	EACH	1
STEEL MAST ARM ASSEMBLY AND POLE, 32 FT.	EACH	1
STEEL MAST ARM ASSEMBLY AND POLE, 34 FT.	EACH	1
STEEL MAST ARM ASSEMBLY AND POLE, 44 FT.	EACH	1
CONCRETE FOUNDATION, TYPE A	FOOT	8
CONCRETE FOUNDATION, TYPE C	FOOT	4
CONCRETE FOUNDATION, TYPE E 30-INCH DIAMETER	FOOT	10
CONCRETE FOUNDATION, TYPE E 36-INCH DIAMETER	FOOT	35
SIGNAL HEAD, LED, 1-FACE, 3-SECTION, MAST-ARM MOUNTED	EACH	8
SIGNAL HEAD, LED, 1-FACE, 3-SECTION, BRACKET MOUNTED	EACH	2
SIGNAL HEAD, LED, 1-FACE, 5-SECTION, MAST-ARM MOUNTED	EACH	2
SIGNAL HEAD, LED, 3-FACE, 3-SECTION, BRACKET MOUNTED	EACH	1
PEDESTRIAN SIGNAL HEAD, LED, 1-FACE, BRACKET MOUNTED WITH COUNTDOWN TIMER	EACH	2
TRAFFIC SIGNAL BACKPLATE, LOUVERED, ALUMINUM	EACH	10
INDUCTIVE LOOP DETECTOR	EACH	8
DETECTOR LOOP, TYPE 1	FOOT	496
PREFORMED DETECTOR LOOP	FOOT	129
LIGHT DETECTOR	EACH	3
LIGHT DETECTOR AMPLIFIER	EACH	3
PEDESTRIAN PUSH-BUTTON	EACH	2
TEMPORARY TRAFFIC SIGNAL INSTALLATION	EACH	1
REMOVE EXISTING TRAFFIC SIGNAL EQUIPMENT	EACH	1
REMOVE EXISTING HANDHOLE	EACH	2
REMOVE EXISTING CONCRETE FOUNDATION	EACH	5
EMERGENCY VEHICLE PRIORITY SYSTEM LINE SENSOR CABLE, NO. 20 3/C	FOOT	1170
FULL-ACTUATED CONTROLLER AND TYPE IV CABINET, SPECIAL	EACH	1
UNINTERRUPTIBLE POWER SUPPLY, SPECIAL	EACH	1
RE-OPTIMIZE TRAFFIC SIGNAL SYSTEM LEVEL 2	EACH	1
TEMPORARY TRAFFIC SIGNAL TIMING	EACH	1

•100% VILLAGE OF HOFFMAN ESTATES

THE TRAFFIC SIGNAL CONTROL EQUIPMENT FOR THIS SIGNAL SHALL BE "ECONOLITE" TO MATCH THE EXISTING ADJACENT SYSTEM.

FILE NAME : p:\2009\me0906-var\var-ph1\cadd\1038-IL72-Beverly\Shvs\0160P90-sht-041512-Beverly.dgn  
 USER : ME0906  
 PLOT : MILLENNIA PROFESSIONAL SERVICES

200 22ND Street, Suite 216, Lombard, IL 60148  
 630.705.0110 voice, 630.839.2566 fax  
 www.mps-ill.com

DESIGNED - CJD	REVISED -
DRAWN - CJD	REVISED -
CHECKED - TVN	REVISED -
DATE - 4/5/2012	REVISED -

**STATE OF ILLINOIS DEPARTMENT OF TRANSPORTATION**

**IL 72 - HIGGINS RD AT BEVERLY ROAD**  
**CABLE PLAN, PHASE DESIGNATION DIAGRAM, AND SCHEDULE OF QUANTITIES**

SCALE: N/A SHEET NO. 2 OF 2 SHEETS STA. TO STA.

F.A.P. RTE. 341	SECTION 2011-071-N	COUNTY COOK/KANE	TOTAL SHEETS 56	SHEET NO. 28
CONTRACT NO. 60P90			ILLINOIS FED. AID PROJECT	

TS-12