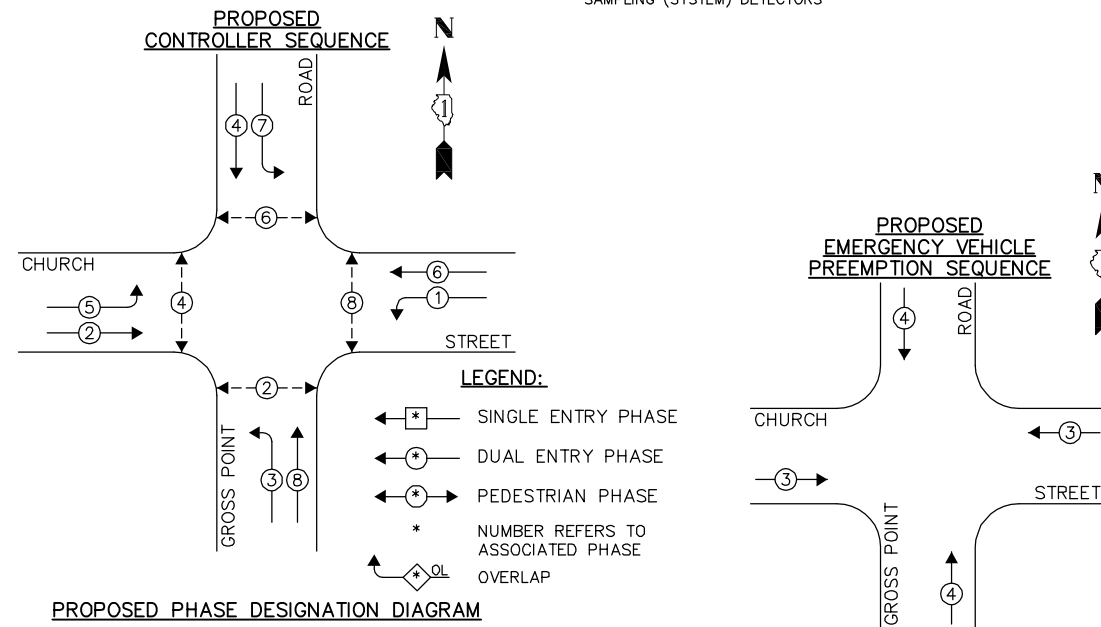
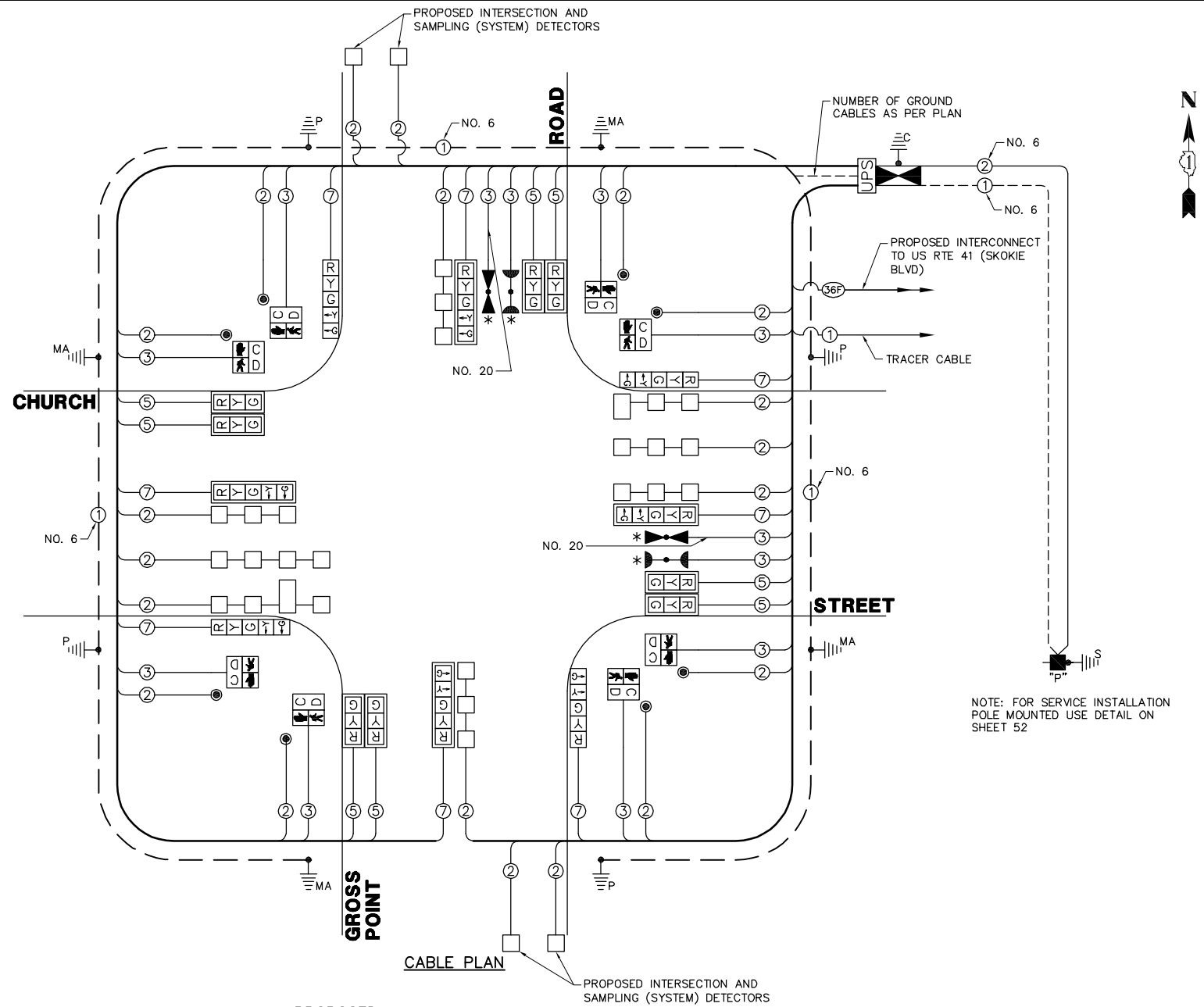


SCHEDULE OF QUANTITIES
GROSS POINT ROAD AT CHURCH STREET

NO.	QUANT.	UNIT	DESCRIPTION
1.	3	CU YD	EARTH EXCAVATION
2.	8	SQ YD	SUBBASE GRANULAR MATERIAL, TYPE B 4"
3.	1,770	SQ FT	PORTLAND CEMENT CONCRETE SIDEWALK 5 INCH
4.	116	SQ FT	DETECTABLE WARNINGS
5.	187	FOOT	COMBINATION CURB AND GUTTER REMOVAL
6.	1,705	SQ FT	SIDEWALK REMOVAL
7.	187	FOOT	COMBINATION CONCRETE CURB AND GUTTER, TYPE B-6.12
8.	1.50	CAL MO	ENGINEER'S FIELD OFFICE, TYPE A
9.	0.20	L SUM	MOBILIZATION
10.	0.20	L SUM	TRAFFIC CONTROL AND PROTECTION, STANDARD 701501
11.	0.20	L SUM	TRAFFIC CONTROL AND PROTECTION, STANDARD 701606
12.	0.20	L SUM	TRAFFIC CONTROL AND PROTECTION, STANDARD 701701
13.	0.20	L SUM	TRAFFIC CONTROL AND PROTECTION, STANDARD 701801
14.	15.00	SQ FT	SIGN PANEL - TYPE 1
15.	27.50	SQ FT	SIGN PANEL - TYPE 2
16.	36.40	SQ FT	THERMOPLASTIC PAVEMENT MARKING - LETTERS AND SYMBOLS
17.	704	FOOT	THERMOPLASTIC PAVEMENT MARKING - LINE 6"
18.	176	FOOT	THERMOPLASTIC PAVEMENT MARKING - LINE 24"
19.	855.40	SQ FT	PAVEMENT MARKING REMOVAL
20.	865	FOOT	UNDERGROUND CONDUIT, GALVANIZED STEEL, 2" DIA.
21.	22	FOOT	UNDERGROUND CONDUIT, GALVANIZED STEEL, 2 1/2" DIA.
22.	117	FOOT	UNDERGROUND CONDUIT, GALVANIZED STEEL, 3" DIA.
23.	462	FOOT	UNDERGROUND CONDUIT, GALVANIZED STEEL, 4" DIA.
24.	4	EACH	HANDHOLE
25.	4	EACH	HEAVY-DUTY HANDHOLE
26.	2	EACH	DOUBLE HANDHOLE
27.	1	EACH	TRANSCEIVER - FIBER OPTIC
28.	1,361	FOOT	ELECTRIC CABLE IN CONDUIT, SIGNAL NO. 14 2C
29.	1,768	FOOT	ELECTRIC CABLE IN CONDUIT, SIGNAL NO. 14 3C
30.	1,750	FOOT	ELECTRIC CABLE IN CONDUIT, SIGNAL NO. 14 5C
31.	1,621	FOOT	ELECTRIC CABLE IN CONDUIT, SIGNAL NO. 14 7C
32.	2,647	FOOT	ELECTRIC CABLE IN CONDUIT, LEAD-IN, NO. 14 1 PAIR
33.	111	FOOT	ELECTRIC CABLE IN CONDUIT, SERVICE, NO. 6 2 C
34.	4	EACH	TRAFFIC SIGNAL POST, GALVANIZED STEEL 16 FT.
35.	1	EACH	STEEL MAST ARM ASSEMBLY AND POLE, 36 FT.
36.	2	EACH	STEEL COMBINATION MAST ARM ASSEMBLY AND POLE 36 FT.
37.	1	EACH	STEEL COMBINATION MAST ARM ASSEMBLY AND POLE 44 FT.
38.	16	FOOT	CONCRETE FOUNDATION, TYPE A
39.	4	FOOT	CONCRETE FOUNDATION, TYPE C
40.	46	FOOT	CONCRETE FOUNDATION, TYPE E 36-INCH DIAMETER
41.	8	EACH	SIGNAL HEAD, LED, 1-FACE, 3-SECTION, MAST-ARM MOUNTED
42.	4	EACH	SIGNAL HEAD, LED, 1-FACE, 5-SECTION, BRACKET MOUNTED
43.	4	EACH	SIGNAL HEAD, LED, 1-FACE, 5-SECTION, MAST-ARM MOUNTED
44.	8	EACH	PEDESTRIAN SIGNAL HEAD, LED, 1-FACE, BRACKET MOUNTED WITH COUNTDOWN TIMER
45.	12	EACH	TRAFFIC SIGNAL BACKPLATE, LOUVERED, ALUMINUM
46.	12	EACH	INDUCTIVE LOOP DETECTOR
47.	1,174	FOOT	DETECTOR LOOP, TYPE I
* 48.	2	EACH	LIGHT DETECTOR
* 49.	1	EACH	LIGHT DETECTOR AMPLIFIER
50.	8	EACH	PEDESTRIAN PUSH-BUTTON
51.	1	EACH	TEMPORARY TRAFFIC SIGNAL INSTALLATION
52.	1	EACH	REMOVE EXISTING TRAFFIC SIGNAL EQUIPMENT
53.	10	EACH	REMOVE EXISTING HANDHOLE
54.	8	EACH	REMOVE EXISTING CONCRETE FOUNDATION
* 55.	335	FOOT	EMERGENCY VEHICLE PRIORITY SYSTEM LINE SENSOR CABLE, NO. 20 3/C
56.	1	EACH	FULL-ACTUATED CONTROLLER AND TYPE IV CABINET, SPECIAL
57.	1	EACH	UNINTERRUPTABLE POWER SUPPLY, SPECIAL
58.	1,700	SQ FT	TEMPORARY SIDEWALK
59.	51.40	SQ FT	TEMPORARY INFORMATION SIGNING
60.	1	EACH	ELECTRIC SERVICE DISCONNECT, LIGHTING AND TRAFFIC SIGNAL
61.	1	EACH	TEMPORARY TRAFFIC SIGNAL TIMING
62.	680	FOOT	ELECTRIC CABLE IN CONDUIT, GROUNDING, NO. 6 1C



* 100% OF THE COST SHALL BE PAID FOR BY THE VILLAGE OF SKOKIE

TRAFFIC SIGNAL INSTALLATION ELECTRICAL SERVICE REQUIREMENTS					TOTAL WATTAGE
TYPE	NO. LAMPS	INCAND.	L.E.D.	% OPERATION	
SIGNAL (RED)	16	135	17	0.50	136.0
SIGNAL (YELLOW)	16	135	25	0.25	100.0
SIGNAL (GREEN)	16	135	15	0.25	60.0
ARROW	16	135	12	0.10	19.2
PED. SIGNAL	8	90	25	1.00	200.0
CONTROLLER	1	-	100	1.00	100.0
LUMINAIRE	-	-	250	0.50	-
L.E.D. ST. NAME SIGN	-	-	64	0.50	-
VIDEO SYSTEM	-	-	150	1.00	-
BATTERY BACKUP	1	-	25	1.00	25.0
ILLUMINATED SIGN	-	-	25	0.05	-
TOTAL =					640.2



THE TRAFFIC SIGNAL CONTROL EQUIPMENT FOR THIS PROJECT SHALL BE "ECONOMIST" TO MATCH THE EXISTING ADJACENT SYSTEM.

ENERGY COSTS - BILLED TO: VILLAGE OF SKOKIE
(ADDRESS) 5127 OAKTON STREET
(ADDRESS) SKOKIE, IL 60077
ENERGY SUPPLY - CONTACT: MR. LARRY SHANK
PHONE: (847) 816-5465
COMPANY: COM-ED

FILE NAME = 4085.877-TR1.dwg	USER NAME = ZACH WALLSTEN	DESIGNED - JRD	REVISED -
		DRAWN - ZCW	REVISED -
		CHECKED - KLB	REVISED -
		DATE - 3/22/2012	REVISED -

STATE OF ILLINOIS
DEPARTMENT OF TRANSPORTATION

SCHEDULE OF QUANTITIES, CABLE PLAN, PHASE DESIGNATION
DIAGRAM, & EMERGENCY VEHICLE PREEMPTION SEQUENCE
GROSS POINT ROAD AT CHURCH STREET

SCALE: N.A. SHEET NO. OF SHEETS STA. TO STA.

F.A.P. RTE. VARIES	SECTION 2011-209-TS	COUNTY COOK	TOTAL SHEETS 52	SHEET NO. 25
CONTRACT # 60R47			GHA #4085.877	
ILLINOIS FED. AID PROJECT				