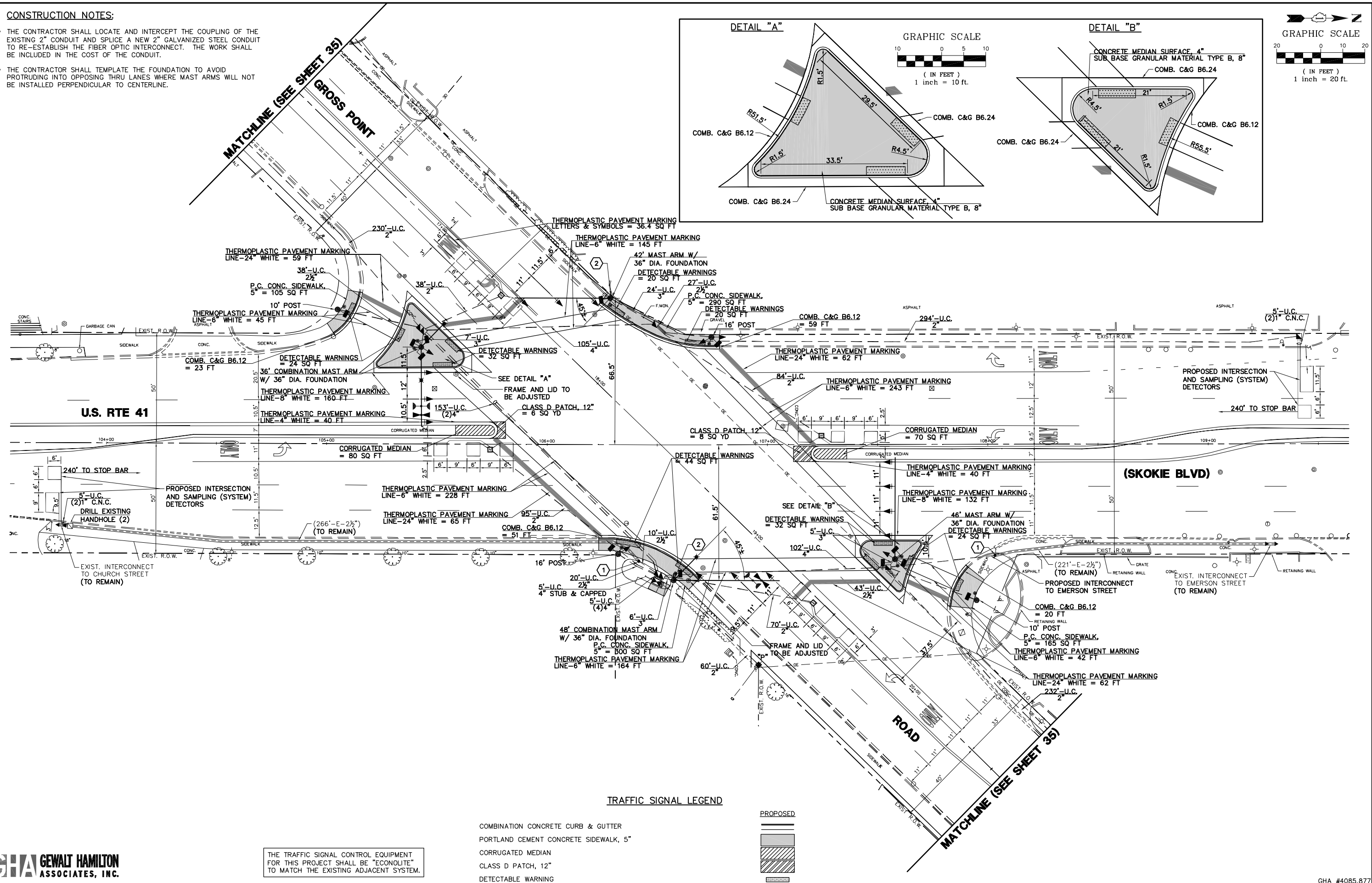
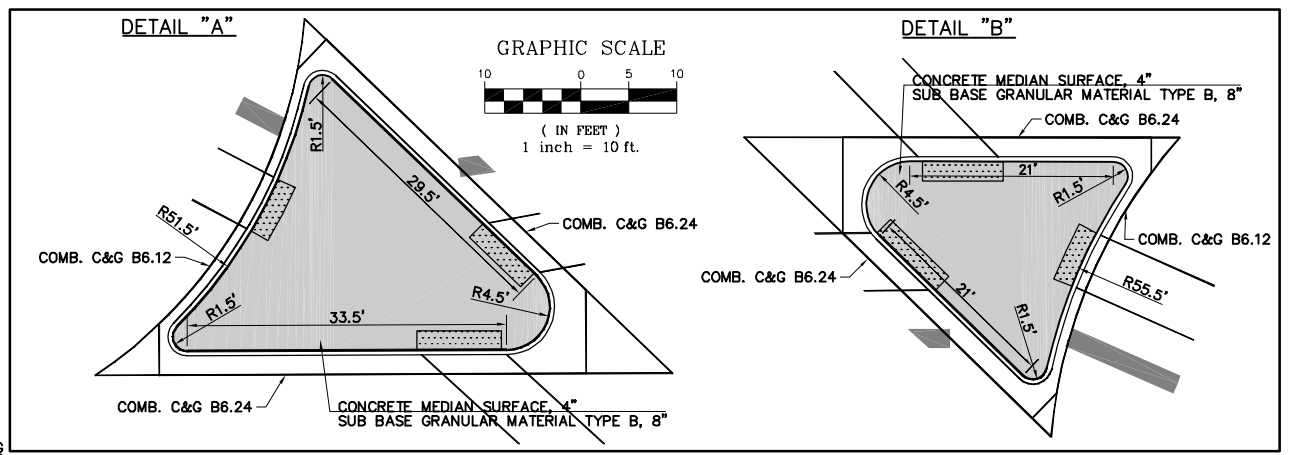
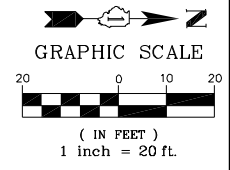


CONSTRUCTION NOTES:

- THE CONTRACTOR SHALL LOCATE AND INTERCEPT THE COUPLING OF THE EXISTING 2" CONDUIT AND SPLICE A NEW 2" GALVANIZED STEEL CONDUIT TO RE-ESTABLISH THE FIBER OPTIC INTERCONNECT. THE WORK SHALL BE INCLUDED IN THE COST OF THE CONDUIT.
- THE CONTRACTOR SHALL TEMPLATE THE FOUNDATION TO AVOID PROTRUDING INTO OPPOSING THRU LANES WHERE MAST ARMS WILL NOT BE INSTALLED PERPENDICULAR TO CENTERLINE.



GHA GEWALT HAMILTON ASSOCIATES, INC.

THE TRAFFIC SIGNAL CONTROL EQUIPMENT FOR THIS PROJECT SHALL BE "ECONOLITE" TO MATCH THE EXISTING ADJACENT SYSTEM.

FILE NAME = 4085.877-TR1.dwg	USER NAME = ZACH WALLSTEN	DESIGNED - JRD	REVISED -
		DRAWN - ZCW	REVISED -
		CHECKED - KLB	REVISED -
		DATE - 3/22/2012	REVISED -

STATE OF ILLINOIS DEPARTMENT OF TRANSPORTATION

TRAFFIC SIGNAL MODERNIZATION PLAN U.S. RTE 41 (SKOKIE BLVD) AT GROSS POINT ROAD

FAP. RTE. VARIES	SECTION 2011-209-TS	COUNTY COOK	TOTAL SHEETS 52	SHEET NO. 34
CONTRACT # 60R47			GHA #4085.877	