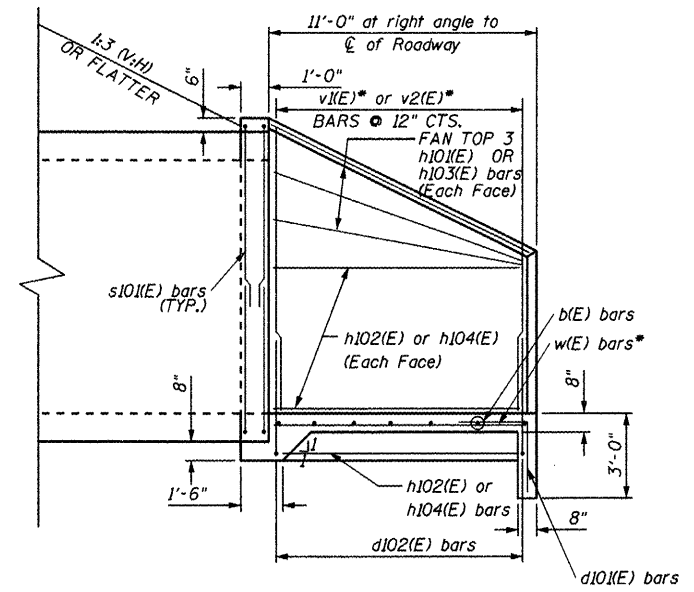
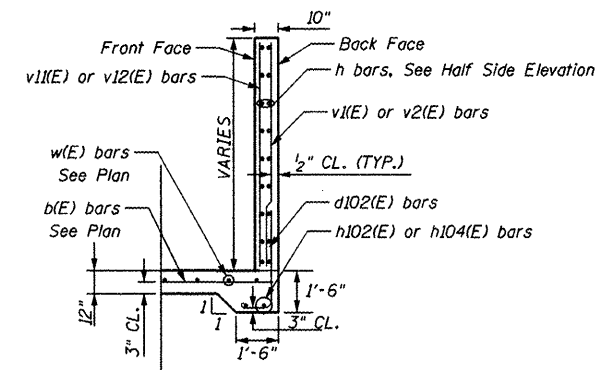


**END ELEVATION
(LOOKING NORTH)**

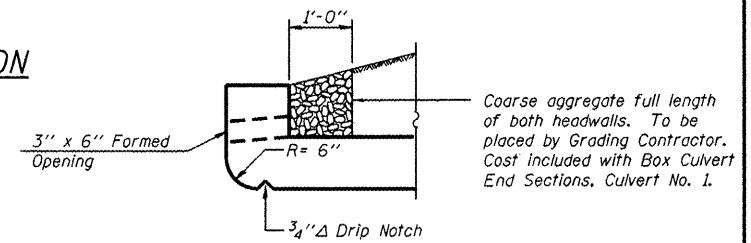
- * USE BARS CUT FROM NORTH END SECTION
- ** BEND IN FIELD
- *** MEASURED ALONG FRONT FACE



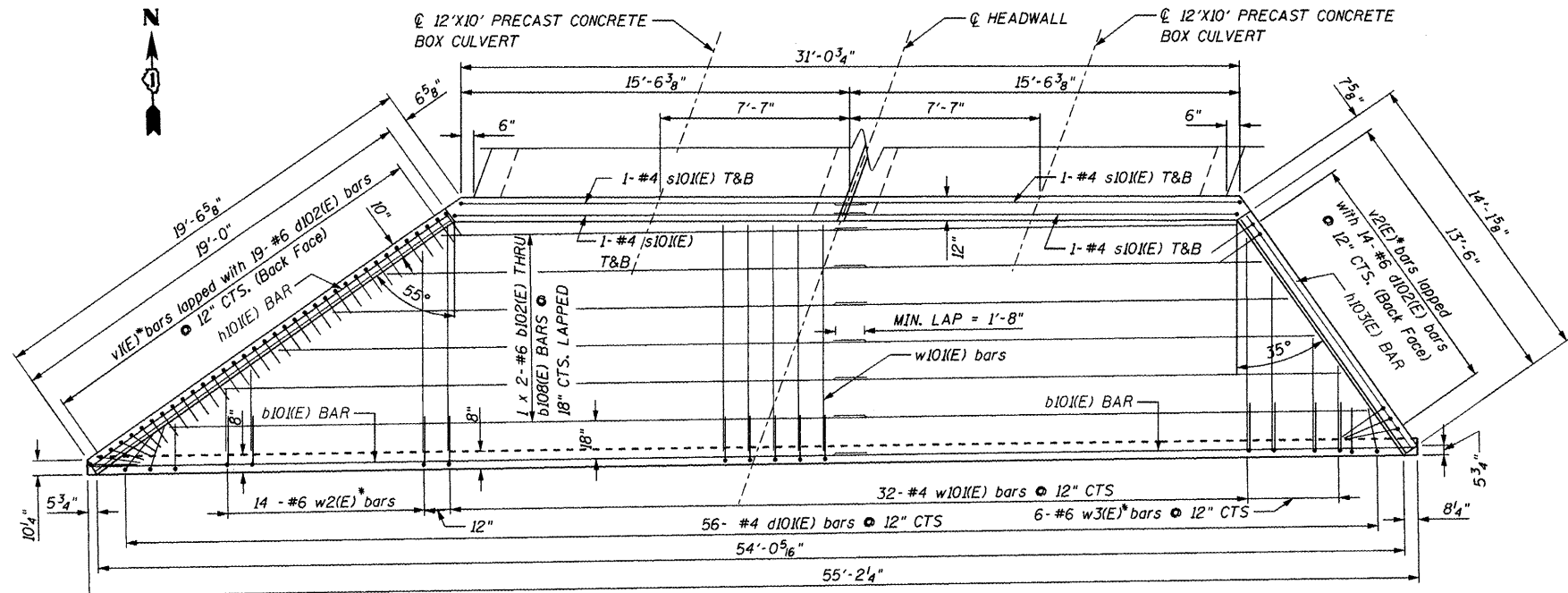
HALF SIDE ELEVATION



WALL ELEVATION



**DRAIN DETAIL
AT UPSTREAM END**



PLAN

NOTES:

Reinforcement bars designated (E) shall be epoxy coated.

Bars indicated thus 3x2 - #5 etc. indicates 3 lines of bars with 2 lengths per line.

Bars cut from the north section v1(E), v2(E), w2(E), and w3(E) shall be used in the south end section.

MIN. BAR LAPS

#4	1'-8"
#6	2'-7"

COMPANY NAME: HRGreen.com
 PROJECT CONTRACT: 016-2826-176
 CLIENT: DOT
 DATE PLOTTED: 3/19/2012 10:22:10 AM
 FILE NAME: 861009672-62317-C006.dgn
 PLOT DRIVER: pdfplot
 PLOT TABLE: Structure 20x34.tbl



USER NAME =	DESIGNED - JPC	REVISED
PLOT SCALE =	CHECKED - JPC	REVISED
PLOT DATE =	DRAWN - JPC	REVISED
	CHECKED - RGD	REVISED

**STATE OF ILLINOIS
DEPARTMENT OF TRANSPORTATION**

**SOUTH END SECTION DETAILS
STRUCTURE NO. 016-2826**

SHEET NO. 6 OF 8 SHEETS

F.A. RTE.	SECTION	COUNTY	TOTAL SHEETS	SHEET NO.
344	102Y-A-B	COOK	31	17
			CONTRACT NO. 62339	
ILLINOIS FED. AID PROJECT				