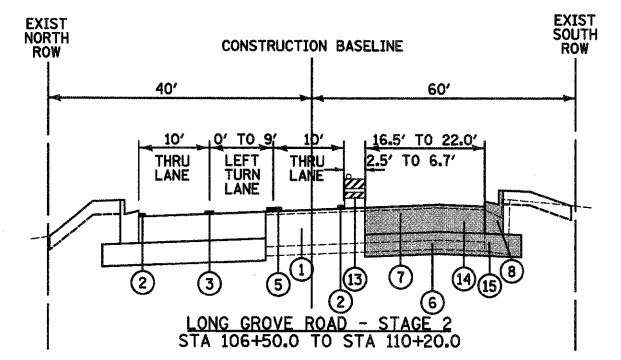
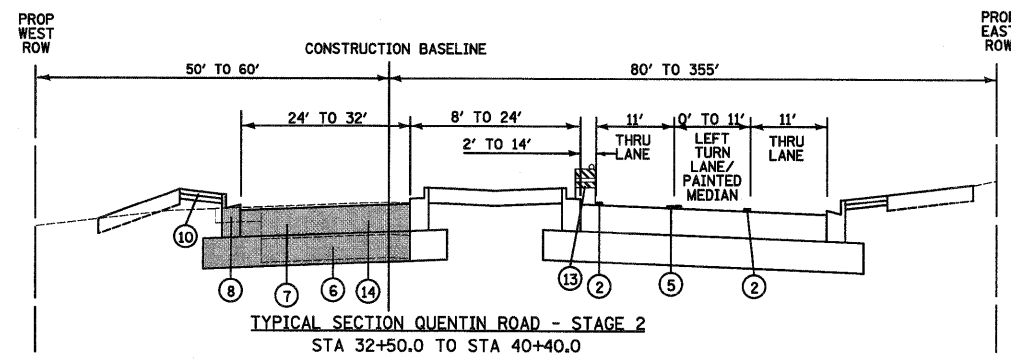
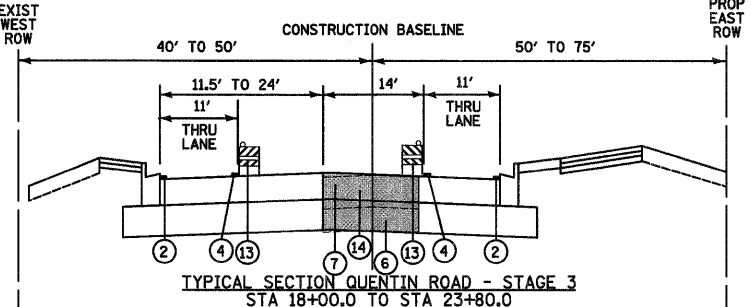
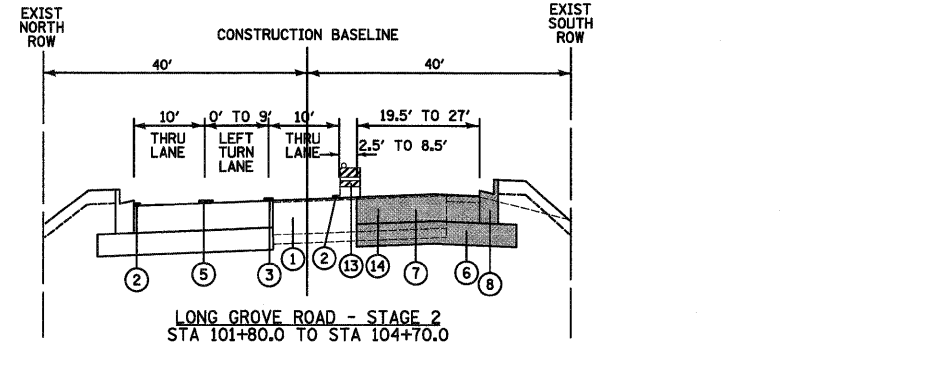
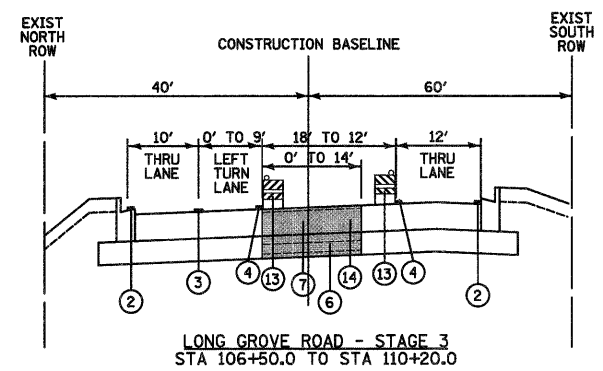
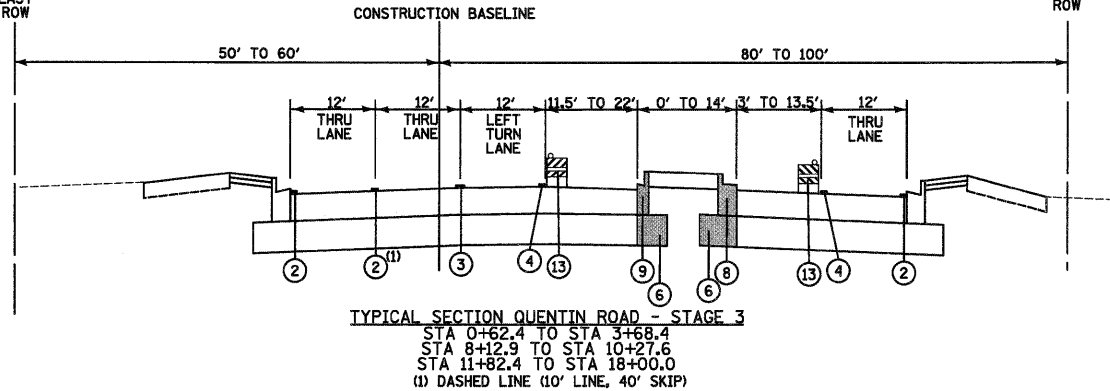
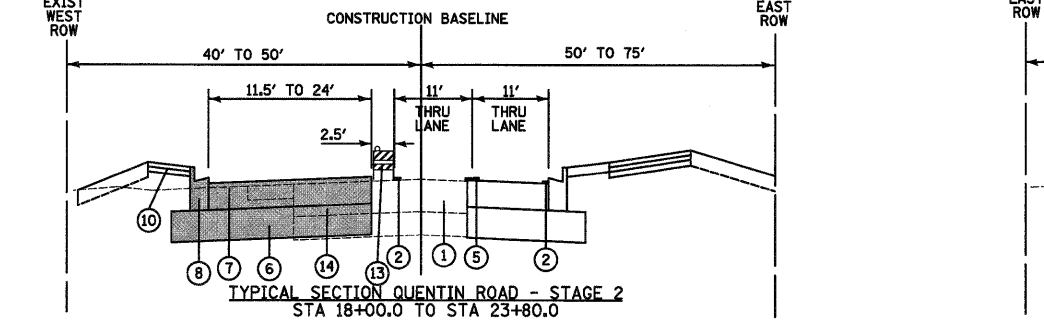
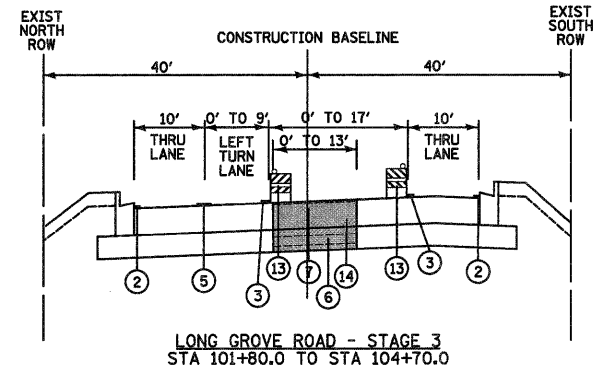
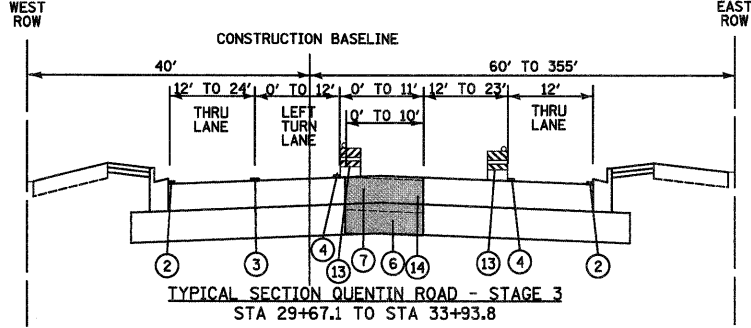
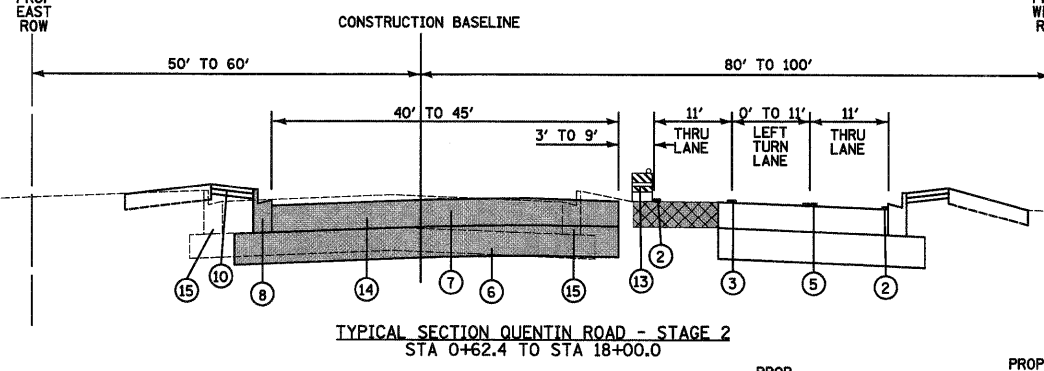
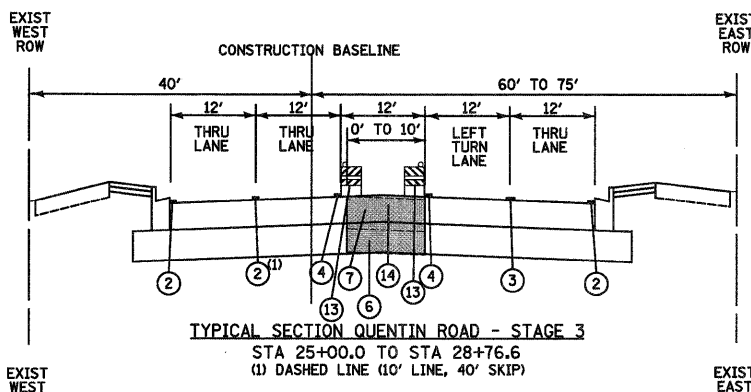
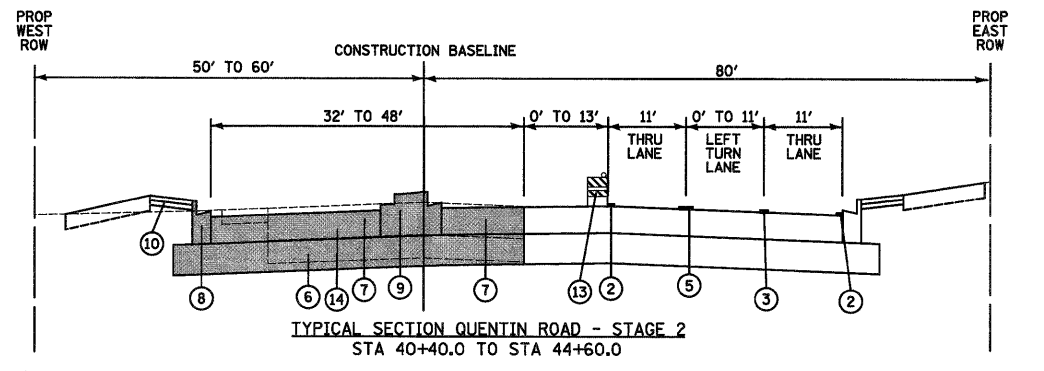


DATE: \_\_\_\_\_  
 BY: \_\_\_\_\_  
 SURVEYED: \_\_\_\_\_  
 PLOTTED: \_\_\_\_\_  
 TEMPLATE: \_\_\_\_\_  
 NOTE BOOK: \_\_\_\_\_  
 AREAS CHECKED: \_\_\_\_\_  
 NO.:

DATE: \_\_\_\_\_  
 BY: \_\_\_\_\_  
 SURVEYED: \_\_\_\_\_  
 PLOTTED: \_\_\_\_\_  
 TEMPLATE: \_\_\_\_\_  
 NOTE BOOK: \_\_\_\_\_  
 AREAS CHECKED: \_\_\_\_\_  
 NO.:



- LEGEND**
- ① EXISTING BITUMINOUS PAVEMENT
  - ② PROP TEMPORARY PAVEMENT MARKING (4" WHITE LINE)
  - ③ PROP TEMPORARY PAVEMENT MARKING (6" WHITE LINE)
  - ④ PROP TEMPORARY PAVEMENT MARKING (4" YELLOW LINE)
  - ⑤ PROP TEMPORARY PAVEMENT MARKING (2-4" YELLOW LINES @ 11" CTRS)
  - ⑥ PROP AGGREGATE SUBGRADE, 12"
  - ⑦ PROP HOT-MIX ASPHALT BINDER COURSE, IL-19, N70
  - ⑧ PROP COMB CONCRETE CURB & GUTTER, TYPE B-6.24
  - ⑨ PROP CONCRETE MEDIAN, TYPE SB-6.24 (MODIFIED)
  - ⑩ PROP PAVED SHOULDER
  - ⑪ PROP BIKEPATH
  - ⑫ PROP HOT-MIX ASPHALT BINDER COURSE, IL-19.0, N50, 8"
  - ⑬ TYPE II BARRICADE (NON-METALLIC) W/ STEADY-BURN LIGHT
  - ⑭ PAVEMENT REMOVAL
  - ⑮ COMBINATION CURB & GUTTER REMOVAL
  - ⑯ GRAVEL SHOULDER REMOVAL-PAID FOR AS "EARTH EXCAVATION"
- PERMANENT CONSTRUCTION DURING STAGE  
 (SEE TYPICAL SECTIONS AND PLAN AND PROFILE SHEETS)
- TEMPORARY PAVEMENT WIDENING (8 - INCH)  
 (HOT-MIX ASPHALT BINDER COURSE, IL-19.0, N50 WITH NO SURFACE COURSE OR P.C. CONCRETE PAVEMENT WITH NO PAVEMENT FABRIC. PAID FOR AS TEMPORARY PAVEMENT.)



**CIVILTECH**  
 450 E Devon Ave, Suite 300  
 Itasca, Illinois 60143  
 Tel: 630.773.3900 Fax: 630.773.3975  
 www.civiltechinc.com

DESIGNED - JRR      REVISED -  
 DRAWN - JRR      REVISED -  
 CHECKED - RTM      REVISED -  
 DATE - 10/24/2011      REVISED -

**STATE OF ILLINOIS**  
**DEPARTMENT OF TRANSPORTATION**

NO SCALE

**TYPICAL SECTIONS & CONSTRUCTION PROCEDURE**  
 SHEET NO. 2 OF 2 SHEETS

F.A.U. RTE.	SECTION	COUNTY	TOTAL SHEETS	SHEET NO.
364	02-00051-08-WR	LAKE	188	66
CONTRACT NO. 63649				
FED. ROAD DIST. NO. 1 ILLINOIS FED. AID PROJECT				