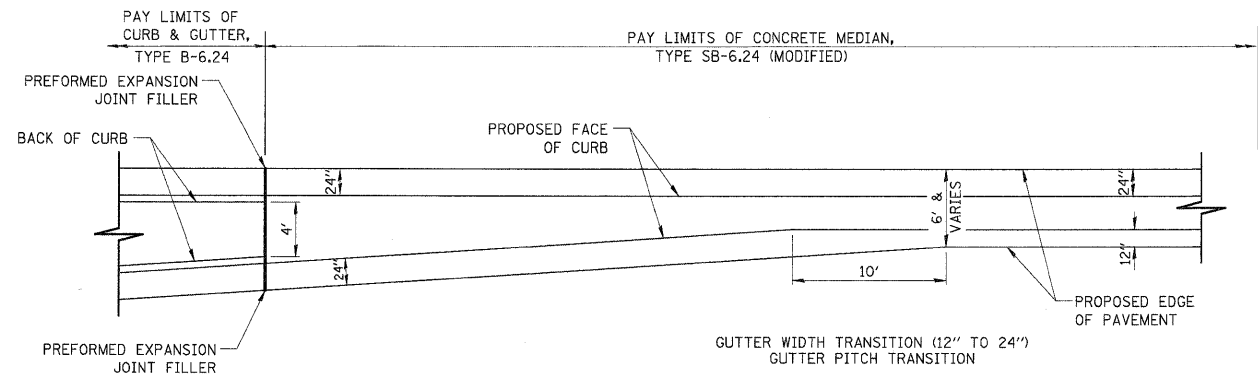


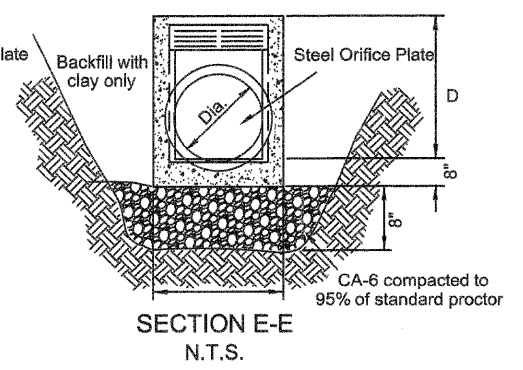
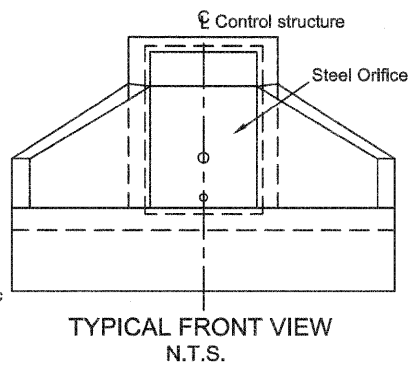
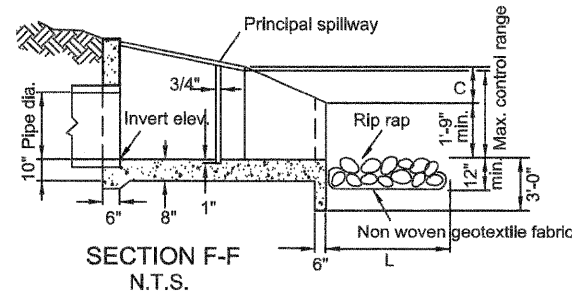
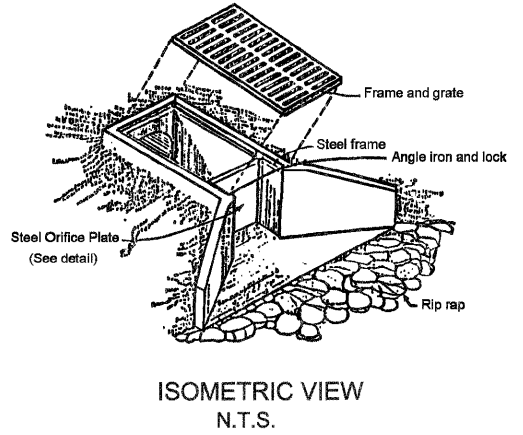
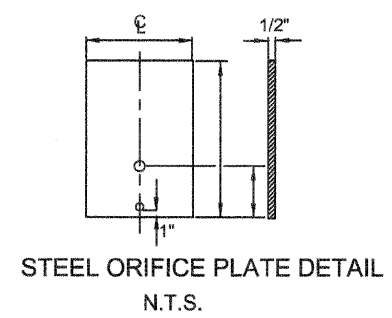
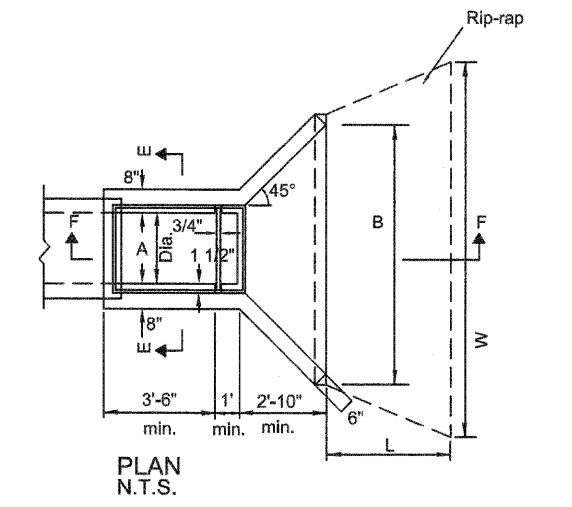
DATE	
BY	
SURVEYED	
PLANNED	
TEMPLATE	
NOTE BOOK	
AREAS CHECKED	
NO.	

DATE	
BY	
SURVEYED	
PLANNED	
TEMPLATE	
NOTE BOOK	
AREAS CHECKED	
NO.	



CONCRETE MEDIAN TYPE SB-6.24 (MODIFIED)
AT SINGLE LEFT TURN BAYS

NOTE: CONCRETE MEDIAN SHALL BE CONSTRUCTED IN ACCORDANCE WITH APPLICABLE PORTIONS OF STANDARD 606301



OUTLET CONTROL STRUCTURE

CIVILTECH
450 E Devon Ave, Suite 300
Itasca, Illinois 60143
Tel: 630.773.3900 Fax: 630.773.3975
www.civiltechinc.com

DESIGNED - JRR	REVISED -
DRAWN - JRR	REVISED -
CHECKED - RTM	REVISED -
DATE - 10/24/2011	REVISED -

STATE OF ILLINOIS
DEPARTMENT OF TRANSPORTATION

NO SCALE

CONSTRUCTION DETAILS
SHEET NO. 1 OF 1 SHEETS

F.A.U. RTE.	SECTION	COUNTY	TOTAL SHEETS	SHEET NO.
364	02-00051-08-WR	LAKE	188	133
CONTRACT NO. 63649				
FED. ROAD DIST. NO. 1 ILLINOIS FED. AID PROJECT				