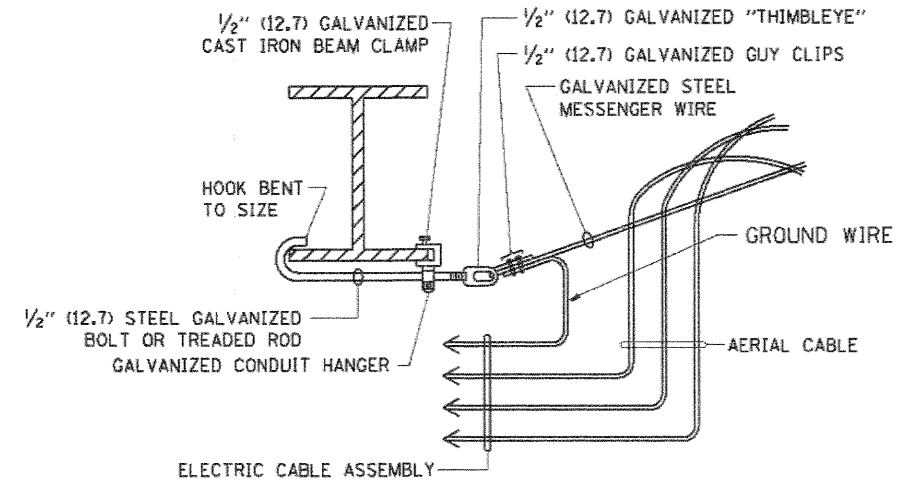


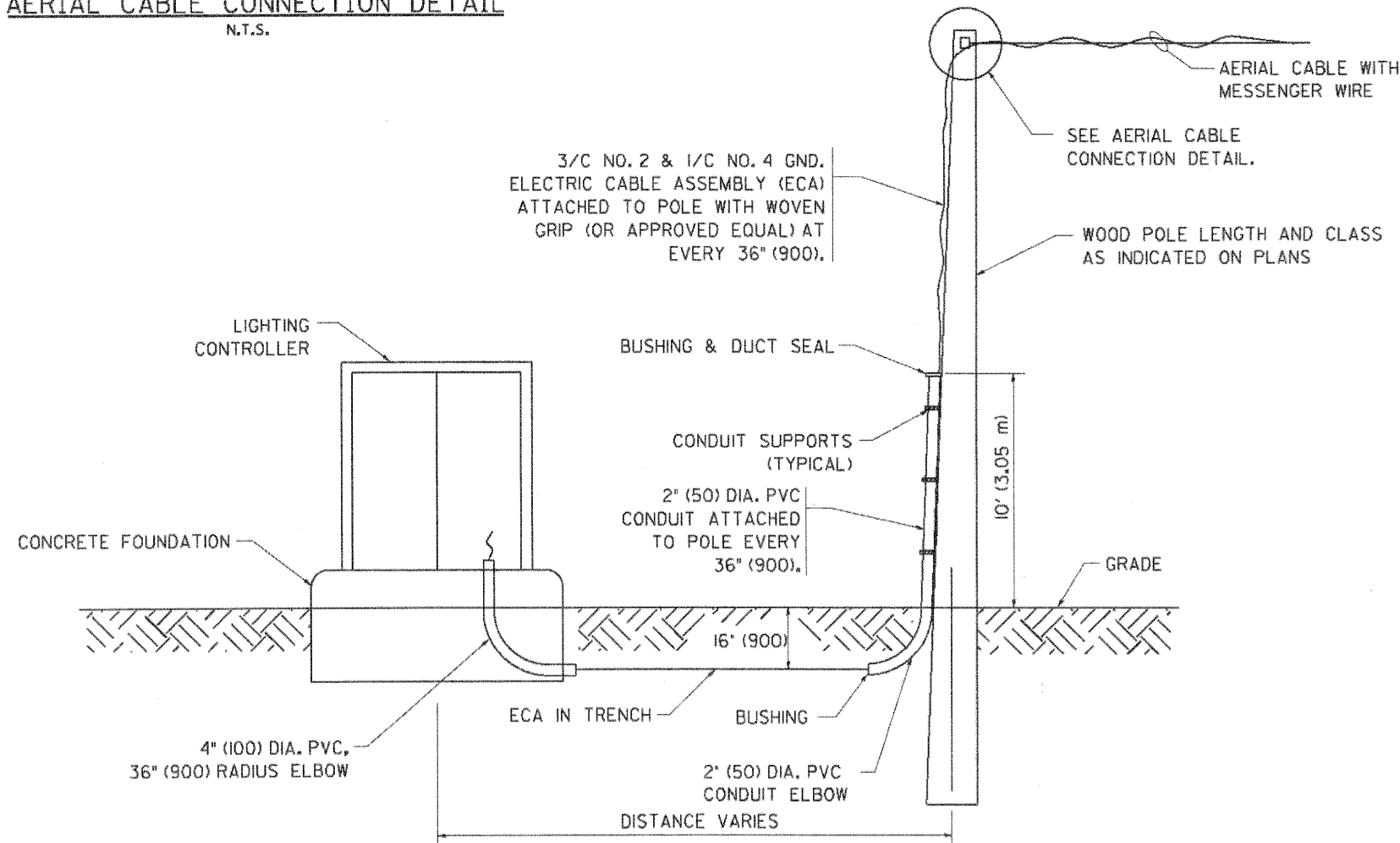
AERIAL CABLE CONNECTION DETAIL
N.T.S.



AERIAL CABLE ATTACHED TO STRUCTURE
NOT TO SCALE

NOTES:

1. ALL DIMENSIONS IN INCHES (MILLIMETERS) UNLESS OTHERWISE INDICATED.
2. SEE PROPOSED LIGHTING PLAN FOR CONDUIT, CABLE AND ROUTING.
3. THE CONTRACTOR SHALL PROVIDE INTERMEDIATE SUPPORTS TO MAINTAIN MINIMUM CLEARANCES. REFER TO AERIAL AERIAL CABLE ATTACHED TO STRUCTURE DETAIL.
4. COST OF SPLICES AND MOUNTING HARDWARE SHALL BE INCLUDED IN THE UNIT PRICE FOR AERIAL CABLE.



WOOD POLE TO LIGHTING CONTROLLER WIRING CONNECTION DETAIL
N.T.S.

COMPANY NAME: HRGreen
 PROJECT CONTACT: HRGreen.com
 CLIENT: Illinois Professional Design Firm
 DATE PLOTTED: 4/5/2012 5:08:06 PM
 FILE NAME: 0177-081-16.dgn
 PLOT NUMBER: 63711
 PEN TABLE: Standard Trans.BY



USER NAME = gdelsholt	DESIGNED =	REVISED = 08-08-03
PLOT SCALE = 50,000 / IN.	DRAWN =	REVISED =
PLOT DATE = 4/5/2012	CHECKED =	REVISED =
	DATE = 4/5/12	REVISED =

**STATE OF ILLINOIS
DEPARTMENT OF TRANSPORTATION**

TEMPORARY AERIAL CABLE INSTALLATION

SCALE: NONE SHEET NO. 1 OF 1 SHEETS STA. TO STA.

F.A.P. RTE.	SECTION	COUNTY	TOTAL SHEETS	SHEET NO.
338	10-00084-00-CH	COOK	63	51
BE-801		CONTRACT NO. 63711		
FED. ROAD DIST. NO. 1 ILLINOIS FED. AID PROJECT				