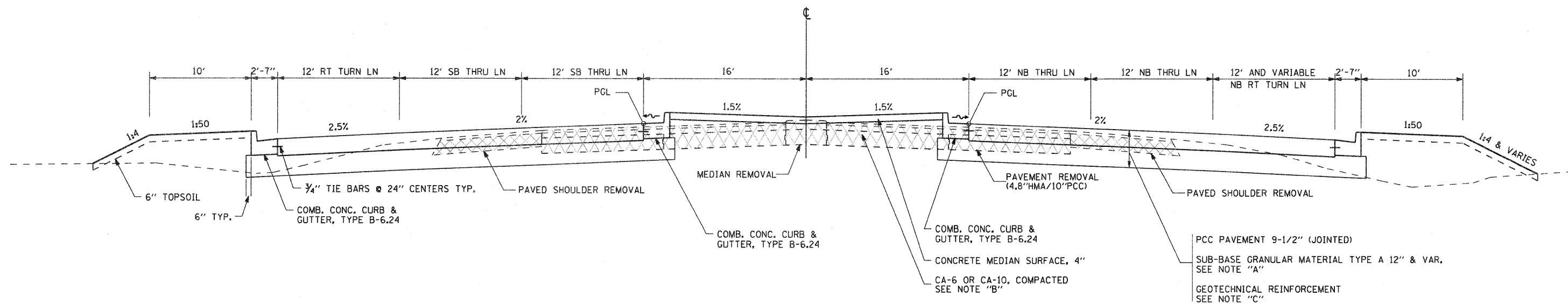
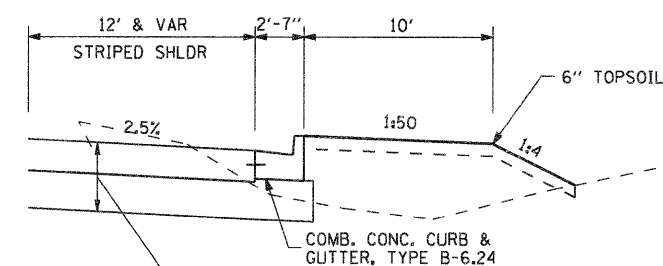


IL ROUTE 2
STA. 231+81.09 - STA. 237+25.21

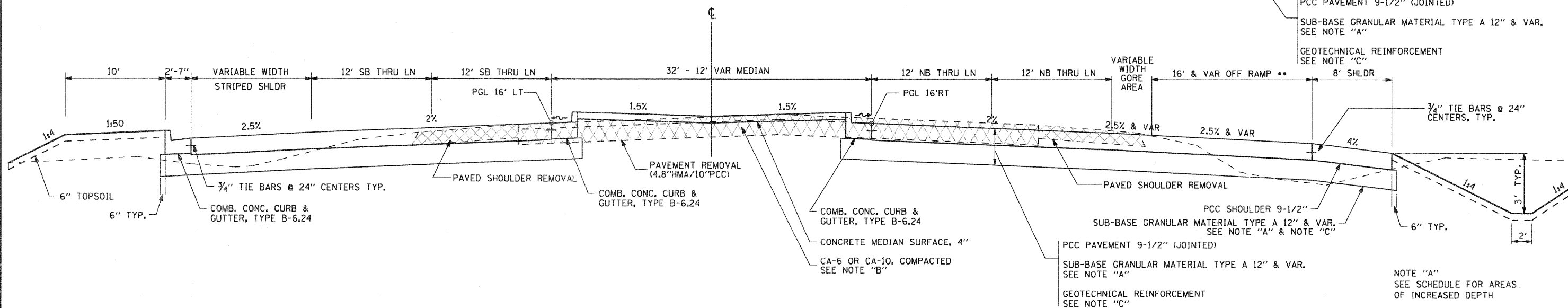


NOTE: NO MEDIAN STA. 231+09.63 - 232+21.95

** CURB & GUTTER TYPICAL
STA 241+26.43 TO 244+95.00 RT



IL ROUTE 2
STA. 237+25.21 - STA. 241+36.76



NOTE "C"
SEE SCHEDULE FOR AREAS TO
RECEIVE GEOTECH REINFORCEMENT

NOTE "A"
SEE SCHEDULE FOR AREAS
OF INCREASED DEPTH

NOTE "B"
THE COST OF THE CA-6 OR CA-10
IS TO BE INCLUDED IN THE COST
OF EACH TYPE OF MEDIAN

FILE NAME =	USER NAME = petp	DESIGNED -	REVISED -	STATE OF ILLINOIS DEPARTMENT OF TRANSPORTATION	FAP 742 (IL 2) TYPICAL SECTIONS			F.A.P. RTE.	SECTION	COUNTY	TOTAL SHEETS	SHEET NO.		
G:\2010\TRANS\B101\001\DCN\Typicals\081500-Typical.dgn		DRAWN -	REVISED -		SCALE: N/A	SHEET NO.	OF SHEETS	STA.	TO STA.	734	34R	WINNEBAGO	491	19
PLOT SCALE = 1/8" = 10'-0"		CHECKED -	REVISED -											
PLOT DATE = 1/25/2012		DATE -	REVISED -											
ILLINOIS FED. AID PROJECT												CONTRACT NO. 64515		