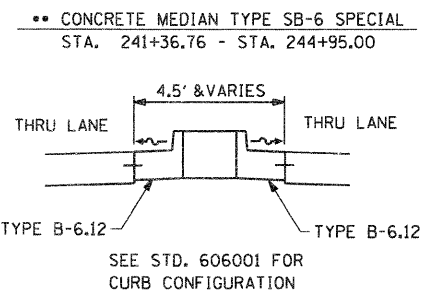
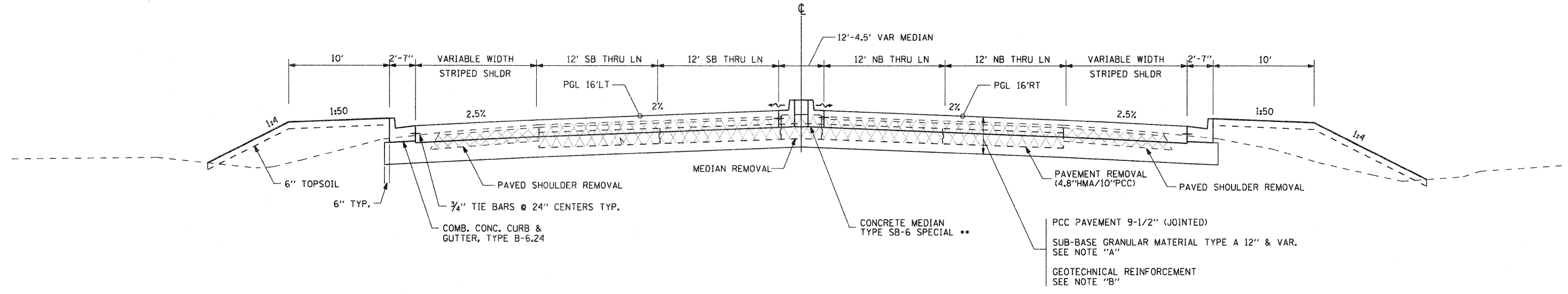


IL ROUTE 2
 STA. 241+36.76 - STA. 244+95.00



NOTE "A"
 SEE SCHEDULE FOR AREAS OF INCREASED DEPTH

NOTE "B"
 SEE SCHEDULE FOR AREAS TO RECEIVE GEOTECHNICAL REINFORCEMENT

FILE NAME =	USER NAME = patp	DESIGNED -	REVISED -	STATE OF ILLINOIS DEPARTMENT OF TRANSPORTATION	FAP 742 (IL 2) TYPICAL SECTIONS	F.A.P. RTE.	SECTION	COUNTY	TOTAL SHEETS	SHEET NO.	
G:\2010\TRANS\B10T001\DCN\Typicals\001500-Typical.dgn	PLOT SCALE = 10.0000' / IN.	DRAWN -	REVISED -			734	34R	WINNEBAGO	491	20	
	PLOT DATE = 1/25/2012	CHECKED -	REVISED -			CONTRACT NO. 64515					
		DATE -	REVISED -			SCALE: N/A	SHEET NO. OF SHEETS	STA. TO STA.	ILLINOIS FED. AID PROJECT		