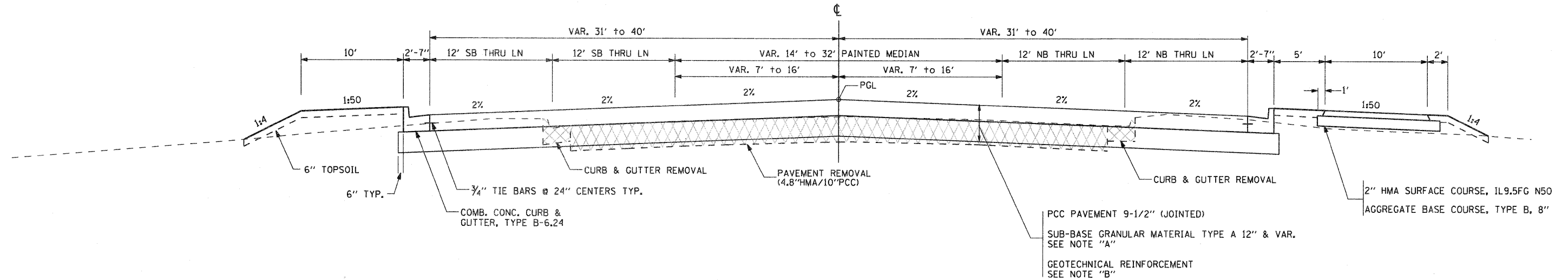
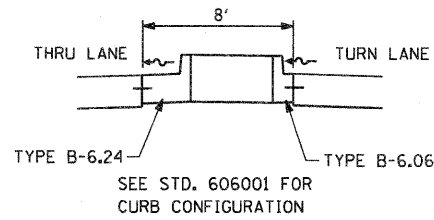


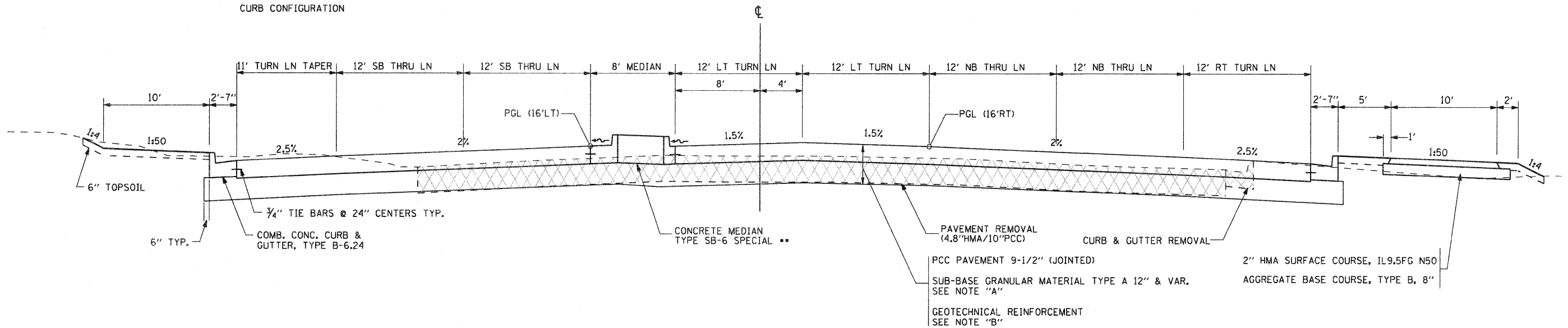
IL ROUTE 2
STA. 305+16.56 - STA. 311+30.57



** CONCRETE MEDIAN TYPE SB-6 SPECIAL
STA. 312+29.56 TO STA. 315+01.28



IL ROUTE 2
STA. 311+30.57 - STA. 315+77.18



NOTE: NO MEDIAN STA. 315+01.28 - 316+60.24

NOTE "A"
SEE SCHEDULE FOR AREAS
OF INCREASED DEPTH

NOTE "B"
SEE SCHEDULE FOR AREAS TO
RECEIVE GEOTECHNICAL REINFORCEMENT

HMA MIXTURE APPLICATION RATE = 112 LB/SY/IN

FILE NAME =	USER NAME = petp	DESIGNED -	REVISED -	STATE OF ILLINOIS DEPARTMENT OF TRANSPORTATION	FAP 742 (IL 2) TYPICAL SECTIONS			F.A.P. RTE.	SECTION	COUNTY	TOTAL SHEETS	SHEET NO.
G:\2010\TRANS\B101001\DDN\Typicals\01500-1\Typical.dgn		DRAWN -	REVISED -					734	34R	WINNEBAGO	491	24
PLOT SCALE = 1/8" = 1' IN.		CHECKED -	REVISED -					CONTRACT NO. 64515				
PLOT DATE = 1/25/2012		DATE -	REVISED -					ILLINOIS FED. AID PROJECT				
				SCALE: N/A	SHEET NO.	OF SHEETS	STA.	TO STA.				