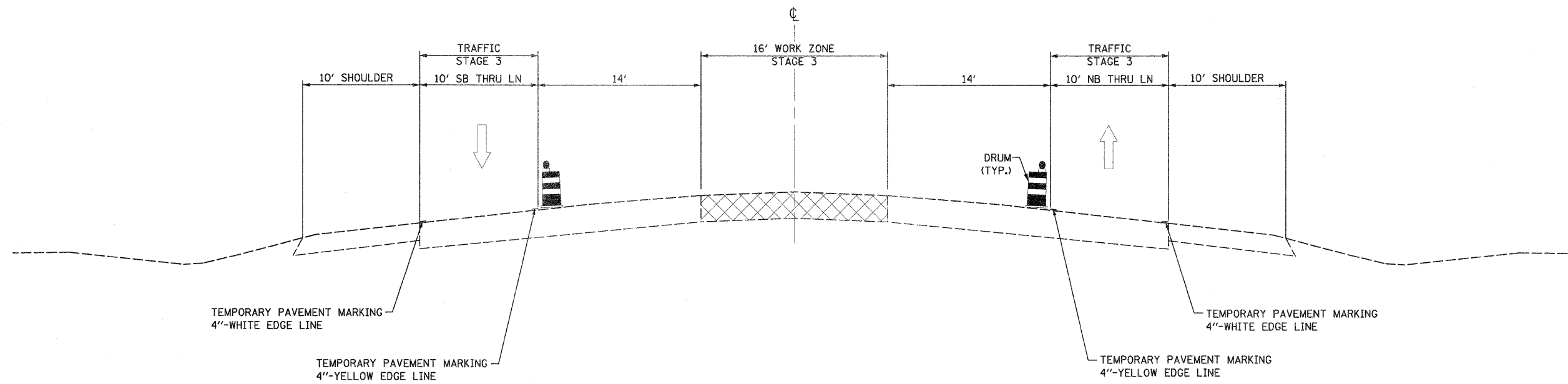
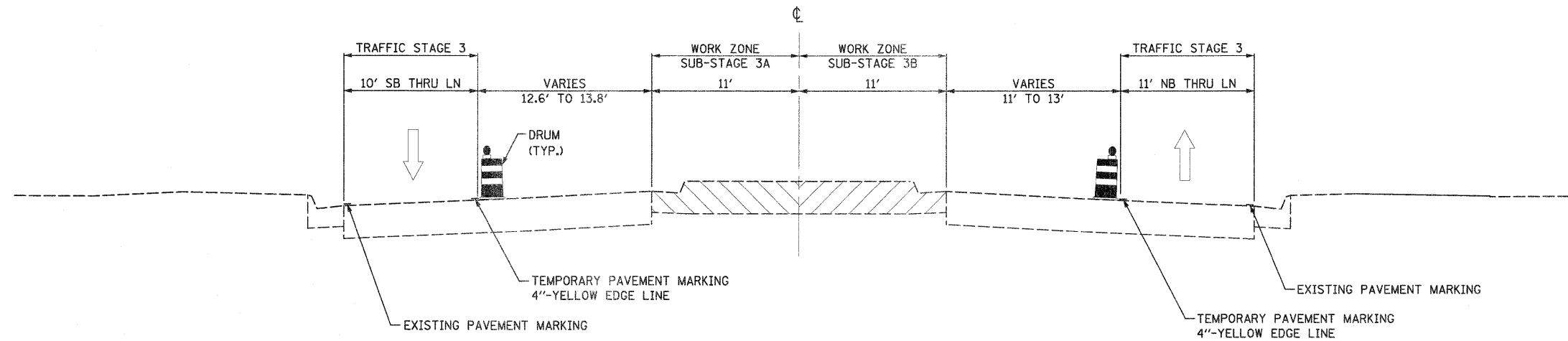


IL ROUTE 2
 STA. 217+05.91 - STA. 218+79.63



IL ROUTE 2
 STA. 333+50.85 - STA. 337+32.50



FILE NAME = 0201508-sh-t-staging02.typlot119.dgn	USER NAME = TERRA	DESIGNED - BCB	REVISED -	STATE OF ILLINOIS DEPARTMENT OF TRANSPORTATION	MAINTENANCE OF TRAFFIC STAGE III TYPICAL SECTIONS	F.A. RTE. 742	SECTION 34R	COUNTY WINNEBAGO	TOTAL SHEETS 491	SHEET NO. 109	
PLOT SCALE = 10,0000' / IN.	CHECKED - DPA	REVISED -	SCALE:			SHEET NO. OF SHEETS	STA. TO STA.	ILLINOIS FED. AID PROJECT			
PLOT DATE = 1/16/2012	DATE - 01/17/12	REVISED -						CONTRACT NO. 64515			