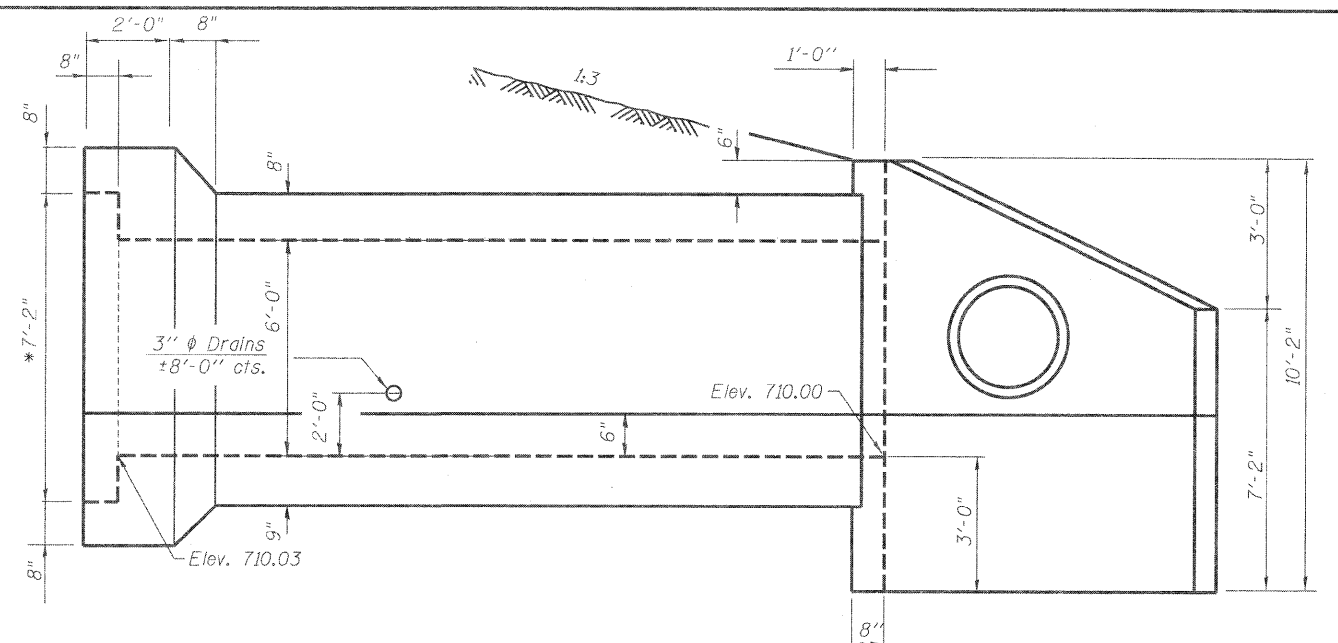
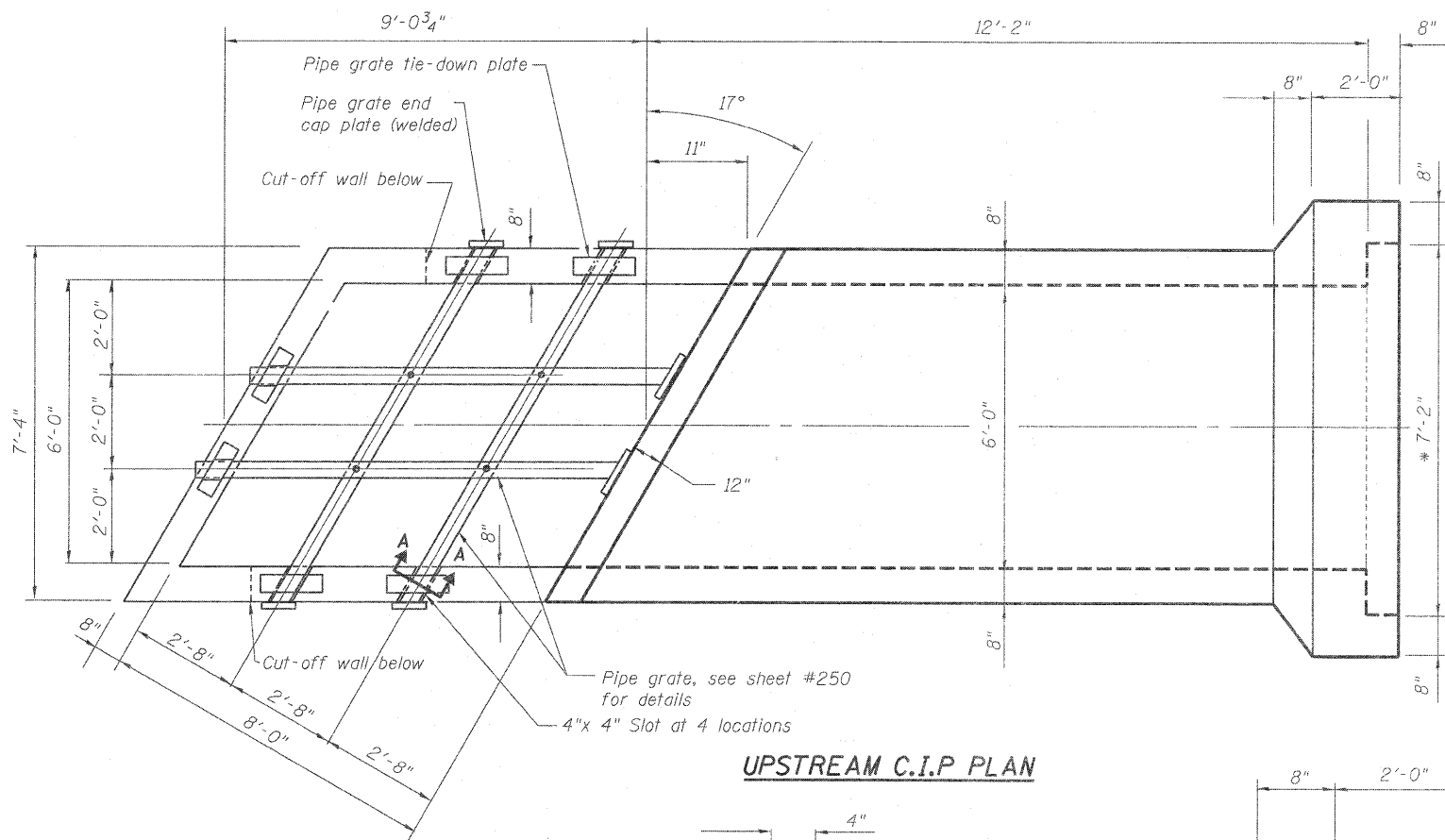


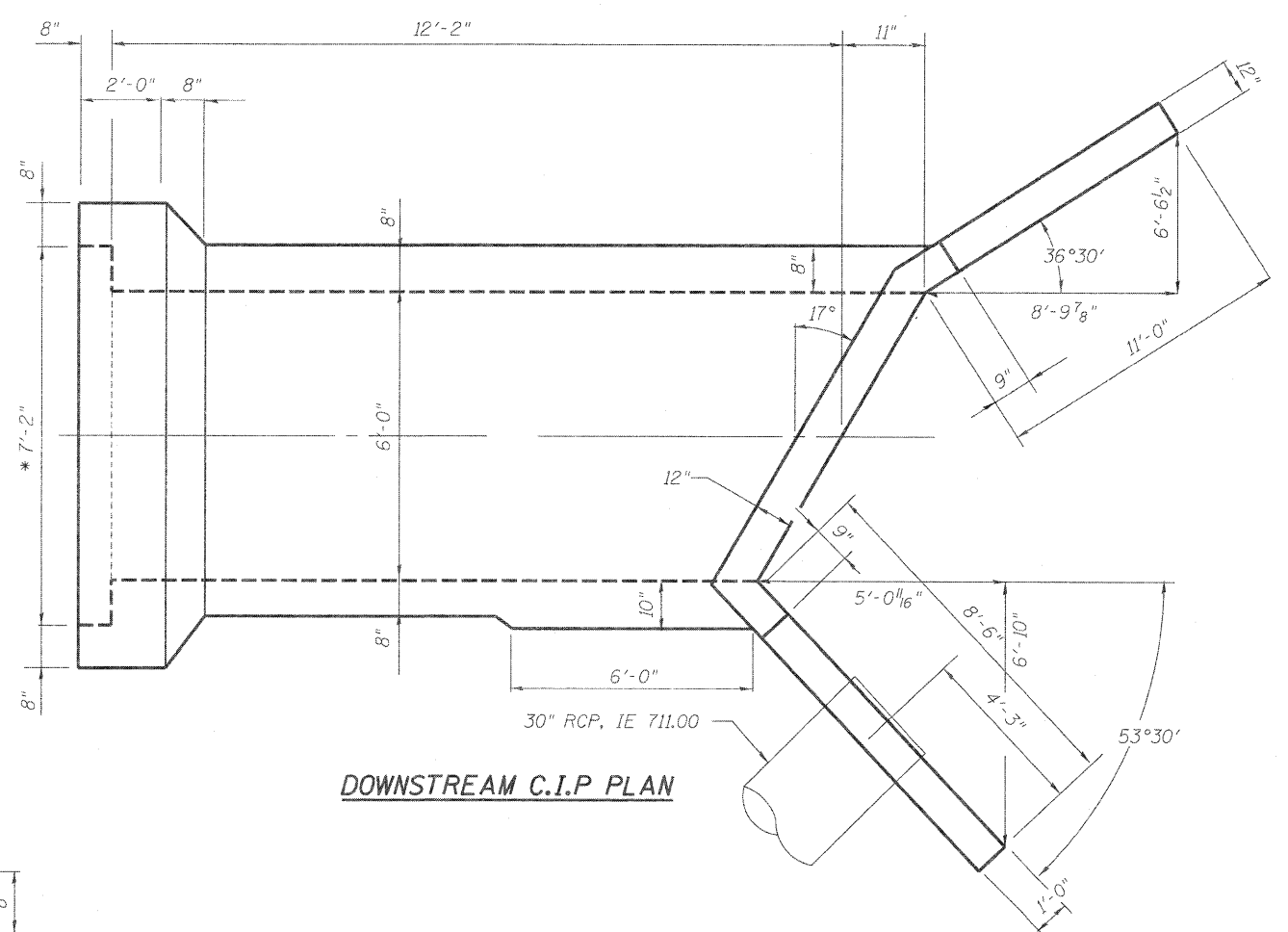
**UPSTREAM C.I.P. ELEVATION**



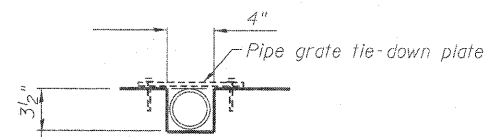
**DOWNSTREAM C.I.P. ELEVATION**



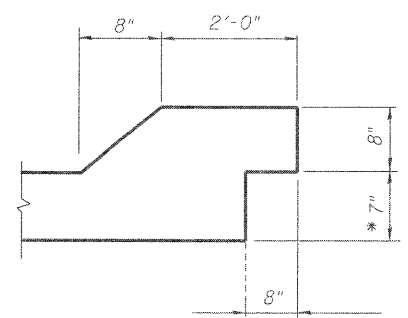
**UPSTREAM C.I.P. PLAN**



**DOWNSTREAM C.I.P. PLAN**



**SECTION A-A**



**TYPICAL CONNECTION COLLAR**

\*Assumed based on 7" Precast walls

|             |              |                |           |   |  |                    |             |                  |                           |               |  |
|-------------|--------------|----------------|-----------|---|--|--------------------|-------------|------------------|---------------------------|---------------|--|
| FILE NAME = | USER NAME =  | DESIGNED - MHM | REVISED - | <b>STATE OF ILLINOIS<br/>DEPARTMENT OF TRANSPORTATION</b> | <b>CAST-IN-PLACE CULVERT DETAILS<br/>S.N. 101-1332</b> | F.A. RTE. 742      | SECTION 34R | COUNTY WINNEBAGO | TOTAL SHEETS 491          | SHEET NO. 327 |  |
|             | PLOT SCALE = | CHECKED - JBF  | REVISED - |   |  | CONTRACT NO. 64515 |             |                  | ILLINOIS FED. AID PROJECT |               |  |
|             | PLOT DATE =  | DRAWN - RAP    | REVISED - |   |  |                    |             |                  |                           |               |  |
|             |              | CHECKED - JBF  | REVISED - |   |  |                    |             |                  |                           |               |  |