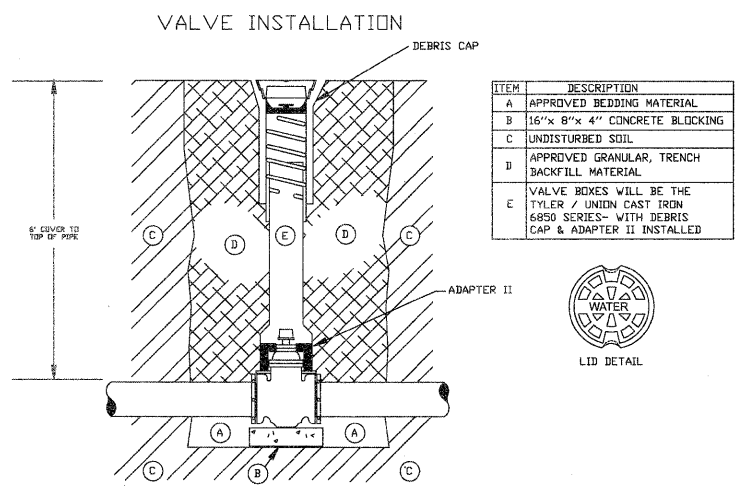
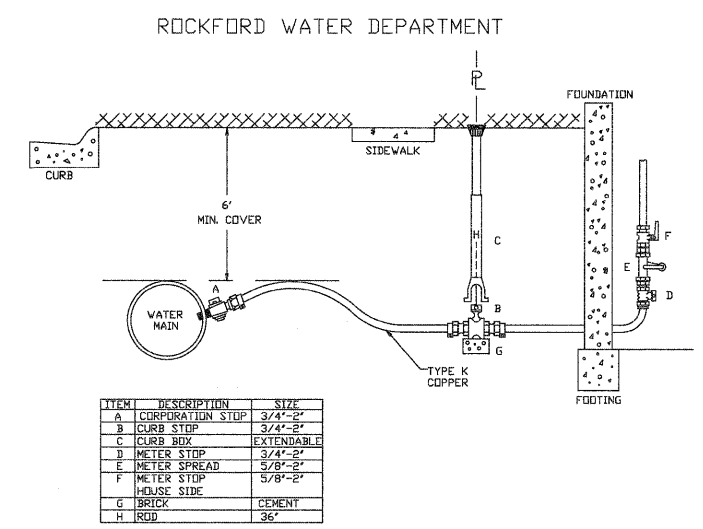


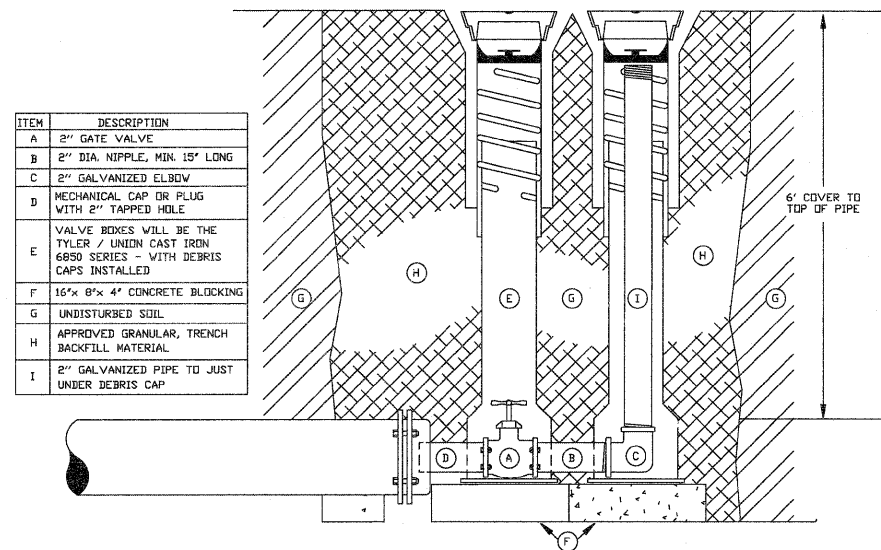
DTL-THBK THRUST BLOCK INSTALLATIONS NOT TO SCALE



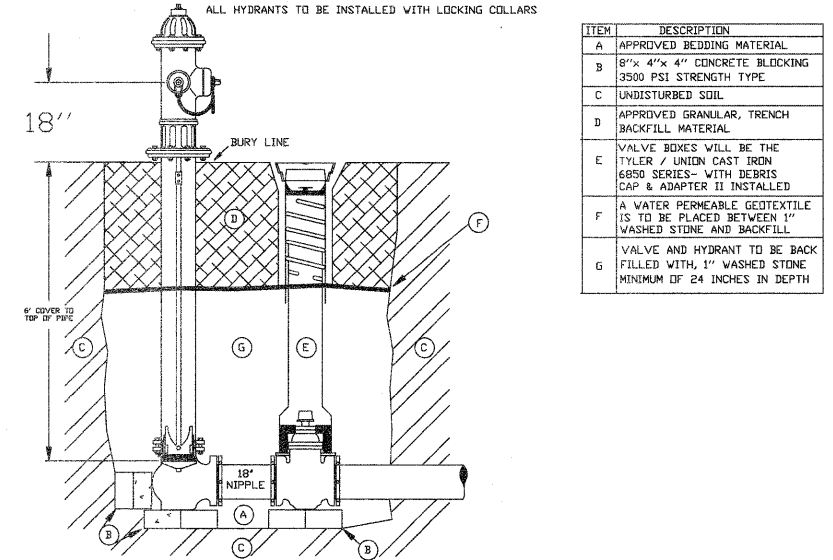
DTL-VV VALVE & VALVE BOX DETAIL NOT TO SCALE



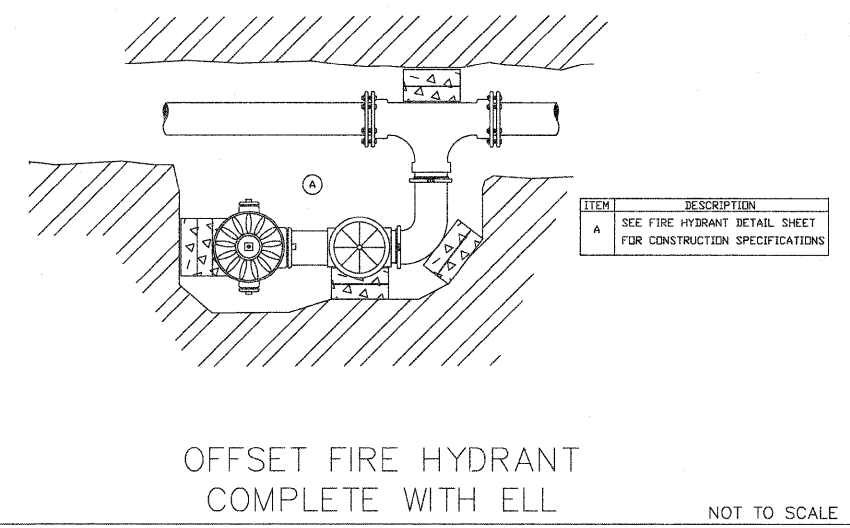
DTL-WSER WATER SERVICE DETAIL NOT TO SCALE



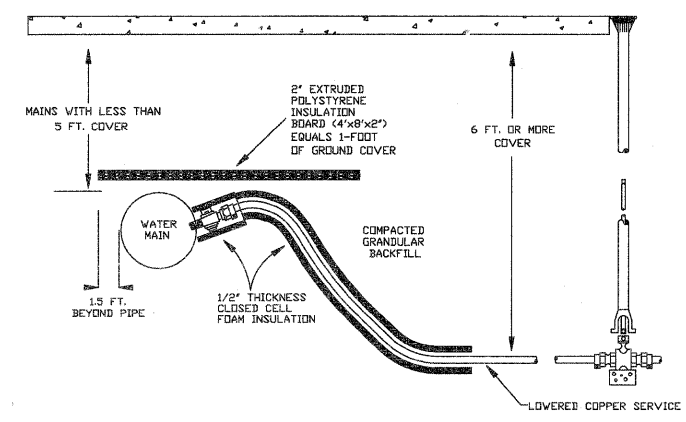
BVI-CAST BLEEDER VALVE BOX INSTALLATION NOT TO SCALE



DTL-FH FIRE HYDRANT COMPLETE NOT TO SCALE



DTL-FH OFFSET FIRE HYDRANT COMPLETE WITH ELL NOT TO SCALE



DTL-INSUL FREEZE PROTECTION NOT TO SCALE