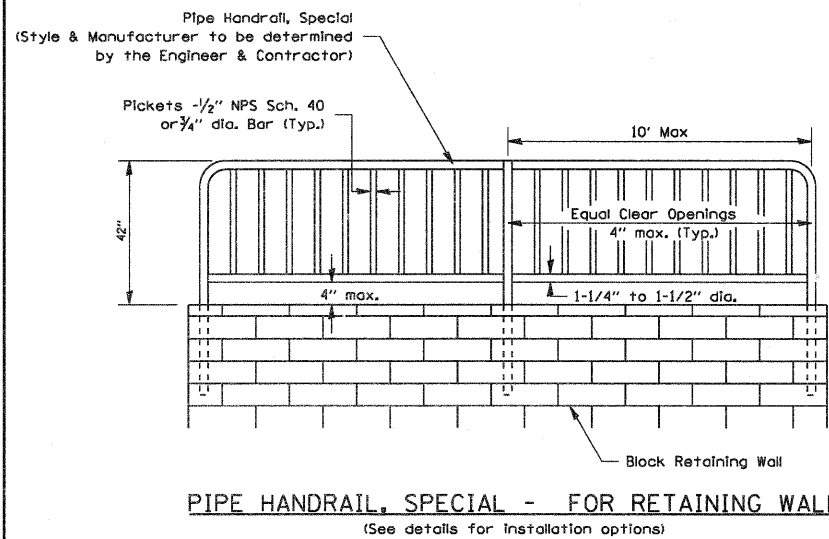


PIPE HANDRAIL, SPECIAL - FOR RETAINING WALLS



Notes:

Gripping surfaces shall be uninterrupted by construction elements, or obstructions.

Ends of handrail shall be rounded.

Handrail shall not rotate within their fittings.

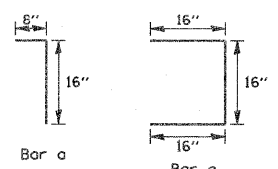
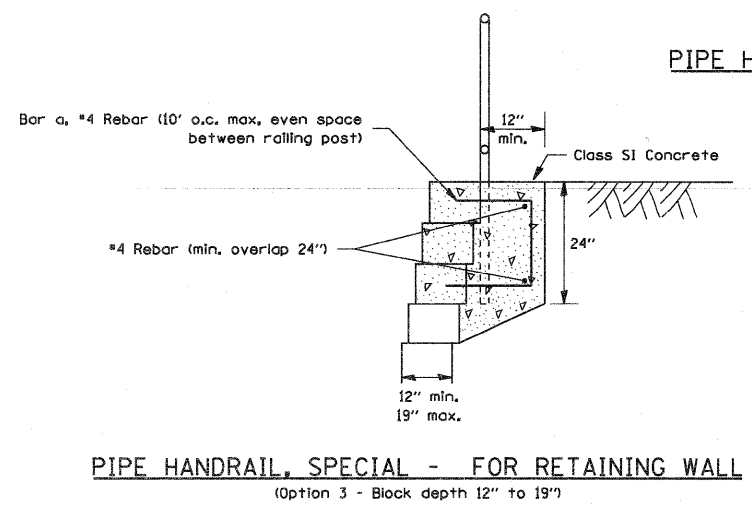
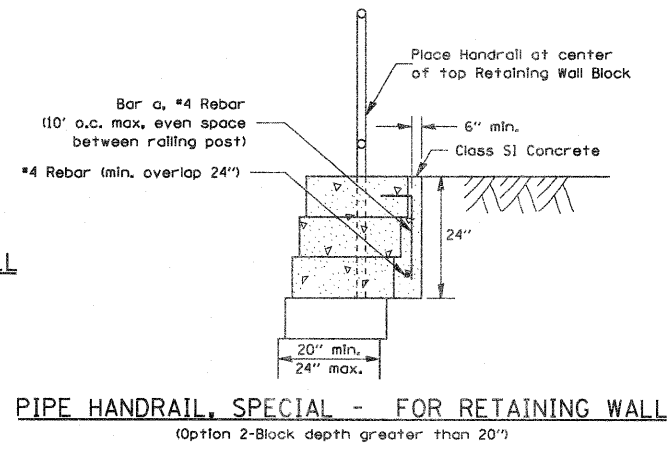
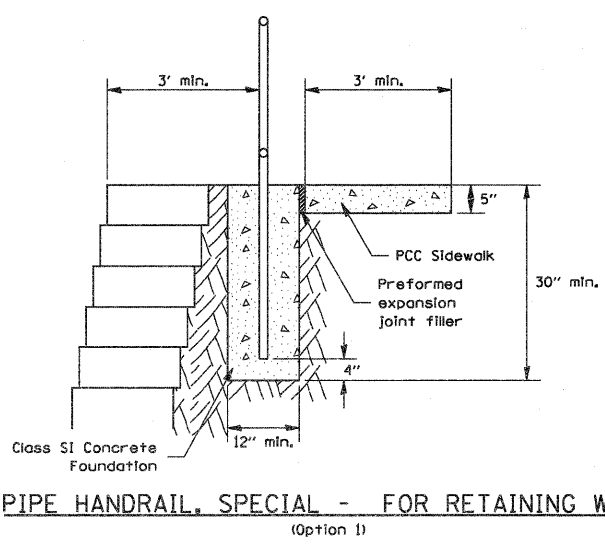
Handrail shall conform to Section 509 with the exception that all pipe and connections shall be welded galvanized or aluminum according to Article 1006.30, or 1006.34.

The diameter of the gripping surface of the handrail shall be 1-1/4" to 1-1/2"

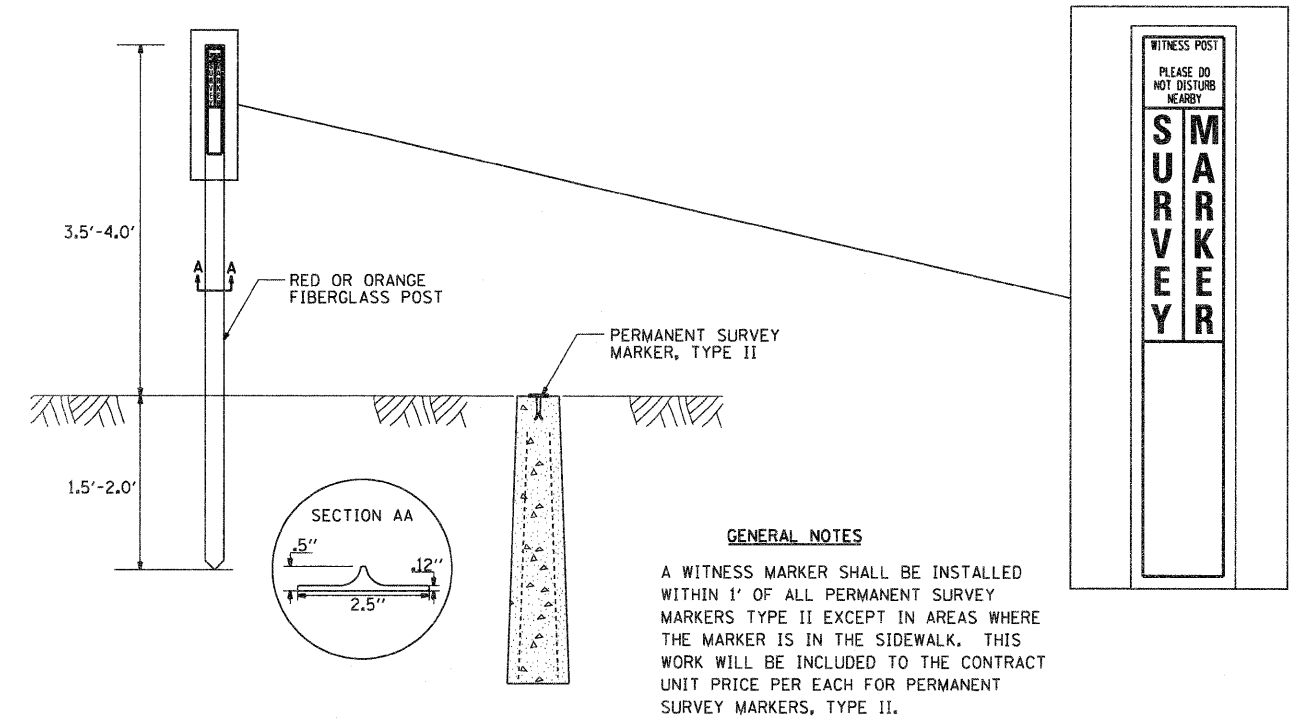
Handrail required when wall height difference is 4' or greater

Drilling of blocks will be necessary for reinforcement placement.

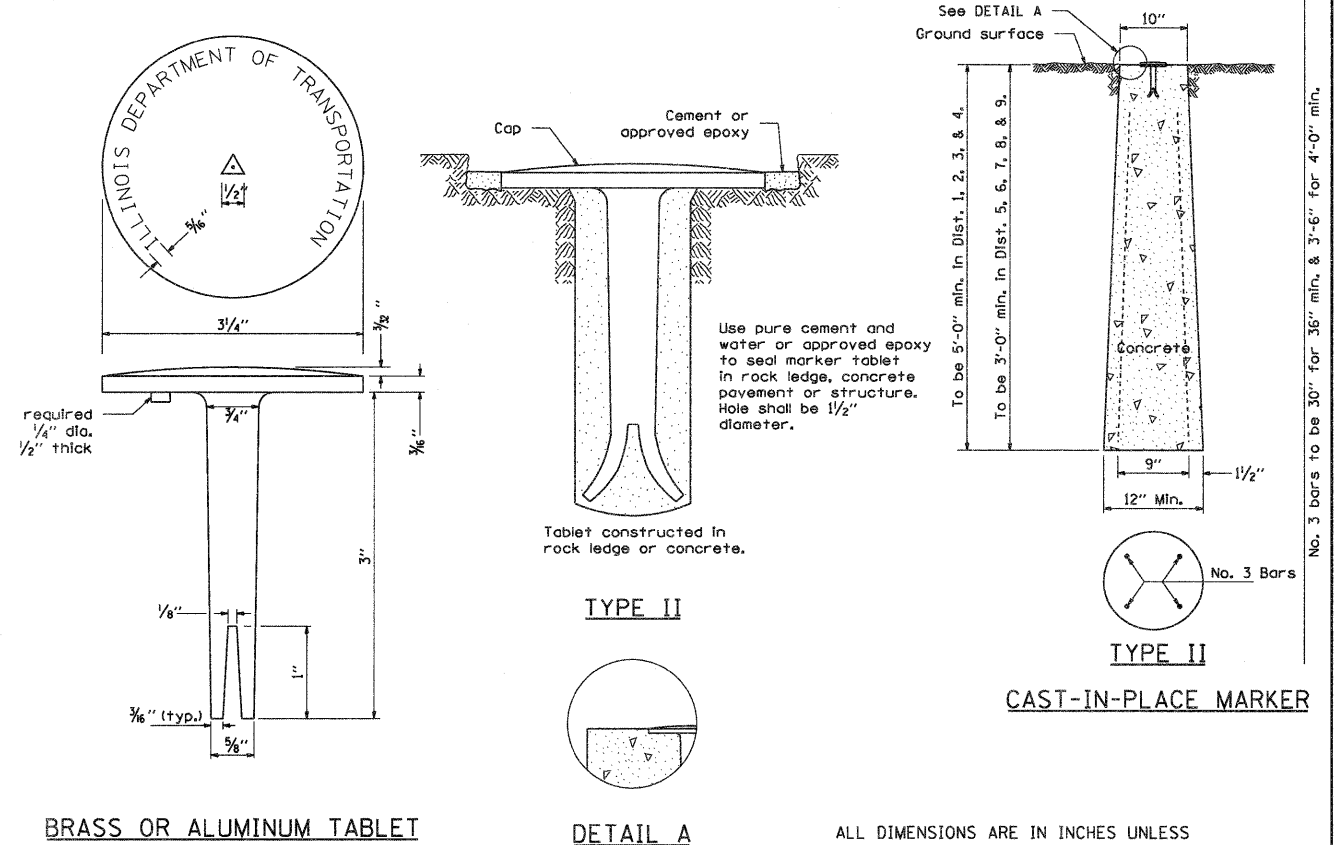
This work shall consist of furnishing and erecting Handrails as listed above and according to this detail. This work shall be paid for at the contract UNIT price per FOOT for PIPE HANDRAIL, SPECIAL.



WITNESS MARKER FOR PERMANENT SURVEY MARKERS, TYPE II



PERMANENT SURVEY MARKERS, TYPE II



ALL DIMENSIONS ARE IN INCHES UNLESS OTHERWISE NOTED.

REVISED - 10-14-11	REGION 2 / DISTRICT 2 STANDARD			
REVISED -	F.A. RTE.	SECTION	COUNTY	TOTAL SHEETS
REVISED -	742	34R	WINNEBAGO	491
REVISED -	CONTRACT NO. 64515			SHEET NO. 340
	FED. ROAD DIST. NO. [ILLINOIS] FED. AID PROJECT			

REVISED - 2-01-10