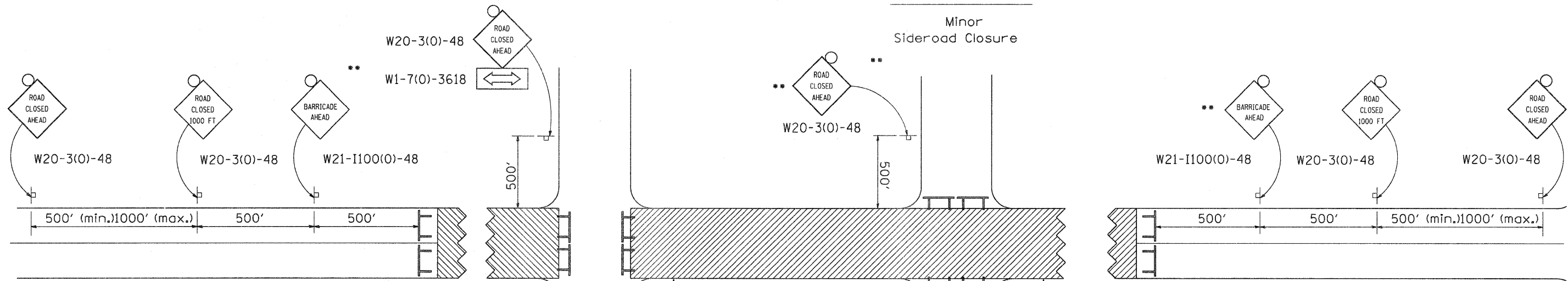


TRAFFIC CONTROL FOR ROAD CLOSURE

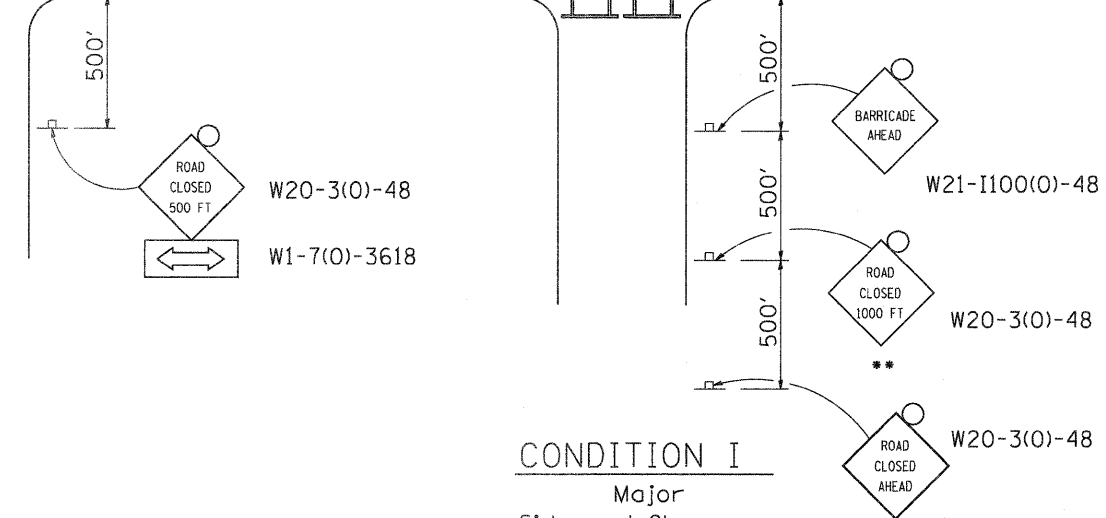
CONDITION II

Minor Sideroad Closure



CONDITION I

Major Sideroad Closure



GENERAL NOTES

Longitudinal dimensions may be adjusted to fit field conditions.

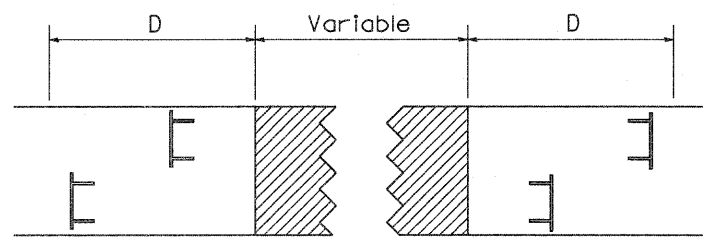
When speed limit is less than 45mph, change sign spacing to 250' and change ROAD CLOSED 1000 FT to ROAD CLOSED 500 FT.

Side roads requiring all three signs as shown in CONDITION I (Major Sideroad Closure), shall be listed in the special provision.

** Where local access is to be maintained, barricades are to be set up as shown in Road Closed to thru traffic. Type III Barricades and R11-2-4830 signs shall be as shown in "Road Closed To All Traffic" detail on Highway Standard 701901.




All dimensions are in inches unless otherwise shown.

ROAD CLOSED TO THRU TRAFFIC BARRICADE SET UP



Type III Barricades and R11-4-4830 signs shall be as shown in "Road Closed To Thru Traffic" detail on Highway Standard 701901. If the distance "D" exceeds 2000' an additional set of barricades and R11-4-4830 shall be placed at each end of the work area.

SYMBOLS

-  Work area
-  Type III Barricade with Flashers
-  Sign with flashing light

TYPICAL APPLICATION FOR ROAD CLOSURE

FILE NAME =	USER NAME = petp	DESIGNED -	REVISED - 10-17-11	STATE OF ILLINOIS DEPARTMENT OF TRANSPORTATION	REGION 2 / DISTRICT 2 STANDARD			F.A. RTE.	SECTION	COUNTY	TOTAL SHEETS	SHEET NO.
G:\2010\TRANS\101001\DG\District Standards\District Standards.dgn		DRAWN -	REVISED -					742	34R	WINNEBAGO	491	349
PLOT SCALE = 50,0000' / IN.		CHECKED -	REVISED -					CONTRACT NO. 64515				
PLOT DATE = 1/17/2012		DATE -	REVISED -					SCALE:	SHEET NO. OF SHEETS	STA. TO STA.	FED. ROAD DIST. NO.	(ILLINOIS) FED. AID PROJECT