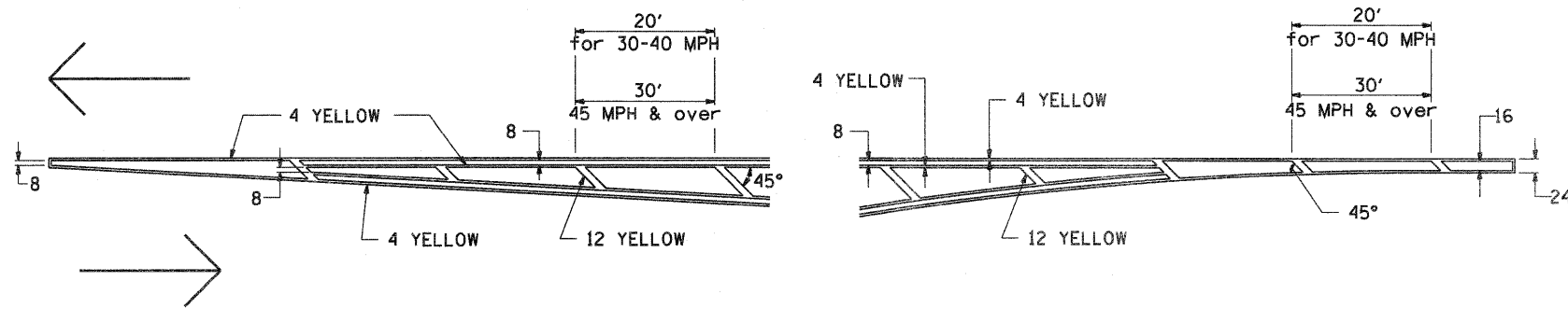
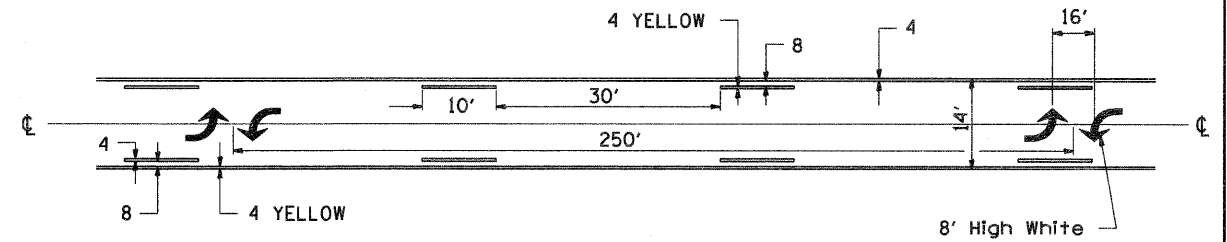


TYPICAL PAVEMENT MARKINGS

TYPICAL PAVEMENT MARKING FOR FLUSH MEDIAN AT LEFT TURN LANE

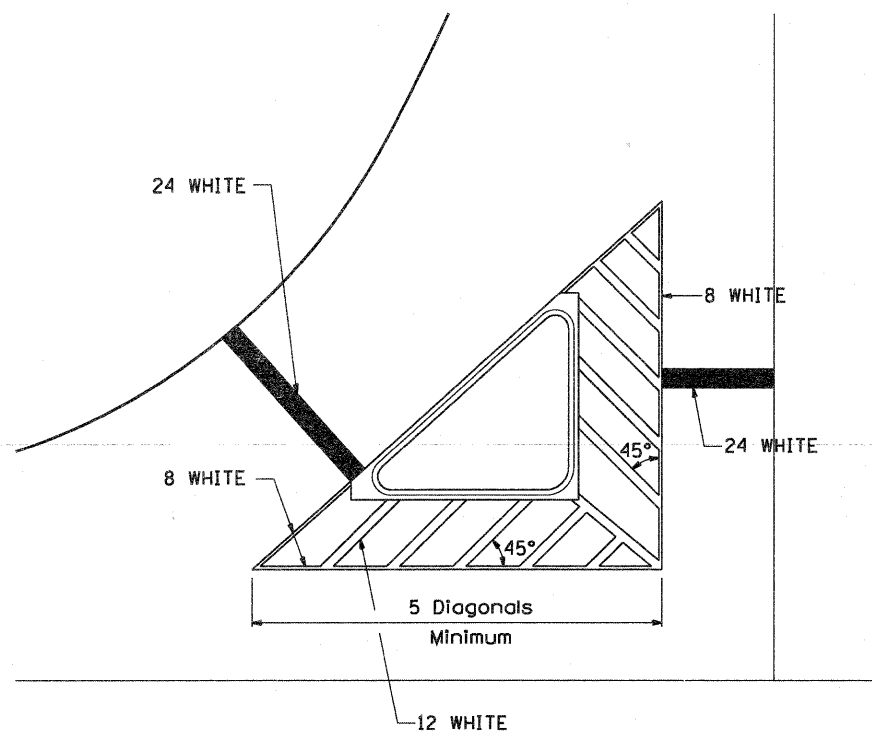


MEDIAN PAVEMENT MARKING

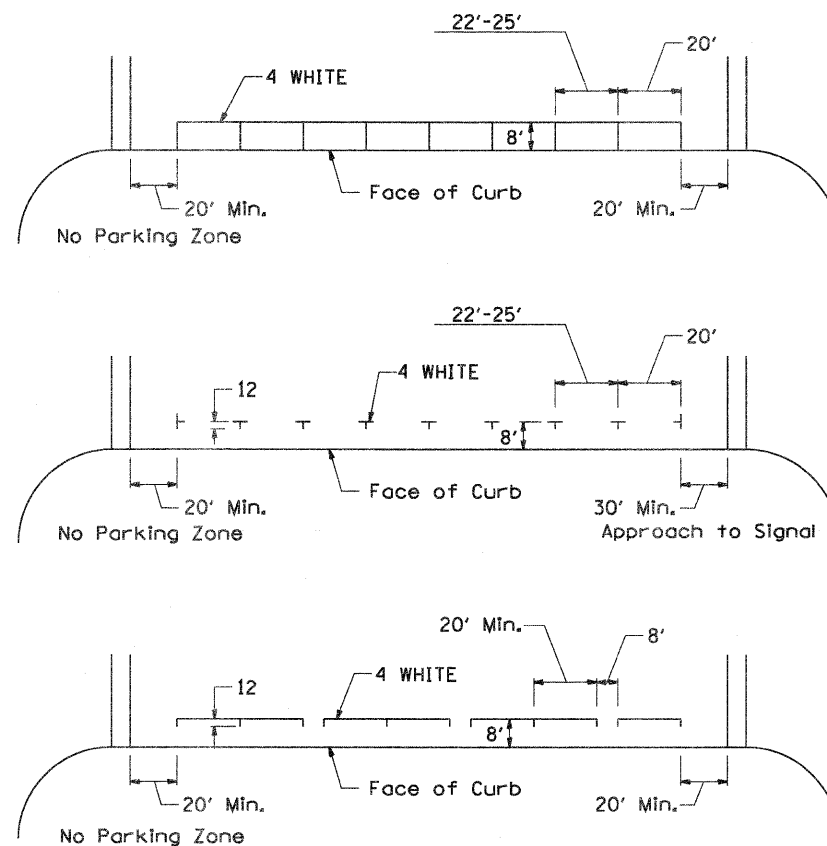


•• ALL DIMENSIONS ARE IN INCHES UNLESS OTHERWISE NOTED.

TYPICAL ISLAND OFFSET SHOULDER WIDTH

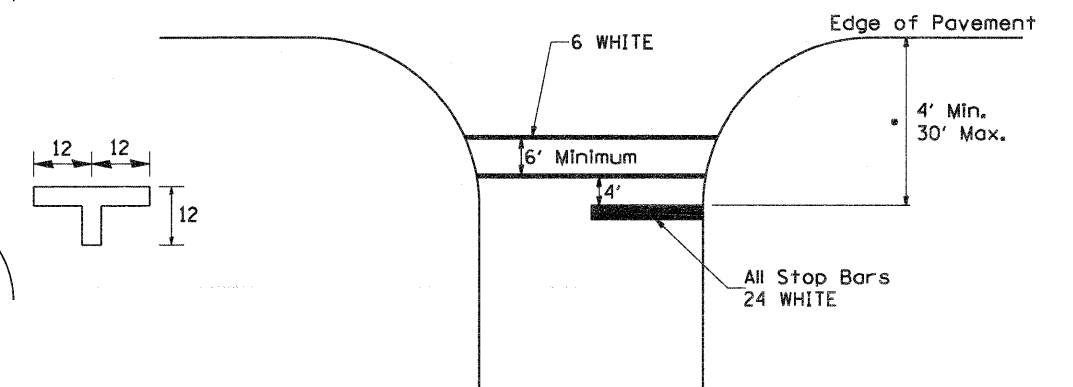


TYPICAL PARKING SPACING



STANDARD CROSSWALK MARKING

See Schedules for Locations



• Distance to the nearest edge of the intersecting roadway in the absence of a marked crosswalk.

FILE NAME = G:\2010\TRANS\101001\DN\District Standards\District Standards.dgn	USER NAME = petp	DESIGNED -	REVISED - 10-18-11	STATE OF ILLINOIS DEPARTMENT OF TRANSPORTATION	REGION 2 / DISTRICT 2 STANDARD			F.A. RTE.	SECTION	COUNTY	TOTAL SHEETS	SHEET NO.
PLOT SCALE = 50.0000' / IN.	CHECKED -	REVISED -	REVISED -					742	34R	WINNEBAGO	491	351
PLOT DATE = 1/17/2012	DATE -	REVISED -	REVISED -					CONTRACT NO. 64515			ILLINOIS FED. AID PROJECT	
								SCALE:	SHEET NO.	OF SHEETS	STA.	TO STA.