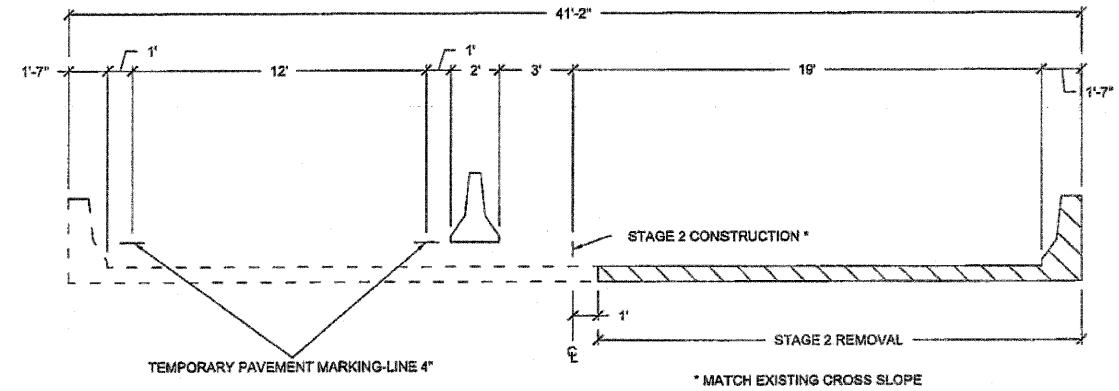
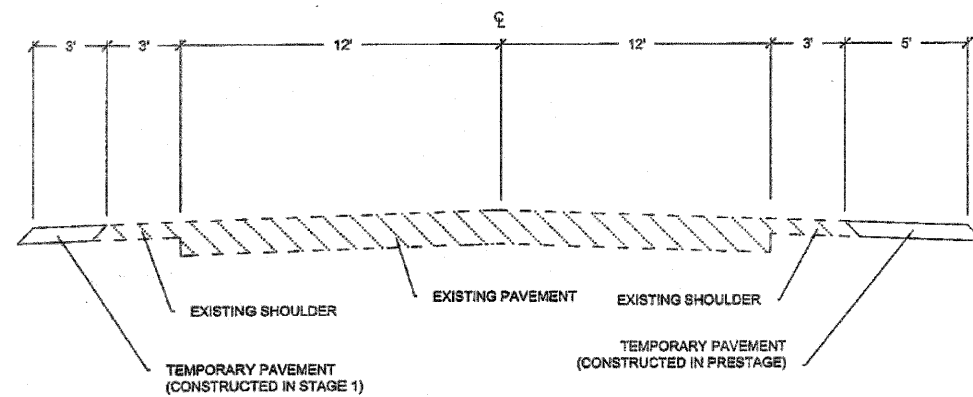


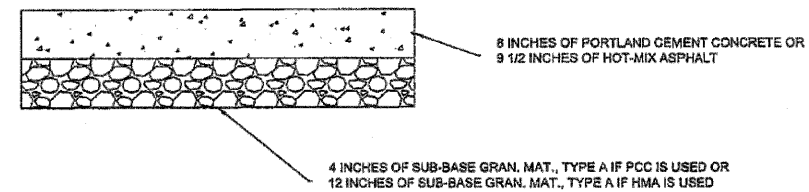
STAGE 1 NORTHBOUND (LOOKING NORTH)  
SOUTHBOUND SIMILAR BY ROTATION



STAGE 2 NORTHBOUND (LOOKING NORTH)  
SOUTHBOUND SIMILAR BY ROTATION



ROADWAY (LOOKING NORTH)  
SOUTHBOUND SIMILAR BY ROTATION



TEMPORARY PAVEMENT DETAIL

**NOTES**  
See Special Provisions for temporary pavement option.

FILE NAME * C:\Joint Repair_64H75\64H75.PLAN.dgn	USER NAME * 100rs	DESIGNED -	REVISED -	<b>STATE OF ILLINOIS DEPARTMENT OF TRANSPORTATION</b>	TYPICAL SECTIONS		F.A. RTE.	SECTION	COUNTY	TOTAL SHEETS	SHEET NO.
	PLOT SCALE = 1/2" = 1' / in.	DRAWN -	REVISED -		1042	(1B, 1BR, 1BR-2R)M	WINNEBAGO	31	17		
	PLOT DATE = Thu Apr 05 09:43:20 2012	CHECKED -	REVISED -		SN 101-0156 (SB) & 101-1054 (SB)		CONTRACT NO. 64H75				
		DATE -	REVISED -		SCALE: _____	SHEET NO. _____ OF _____ SHEETS	STA. _____ TO STA. _____	FED. ROAD DIST. NO. _____ ILLINOIS FED. AID PROJECT			