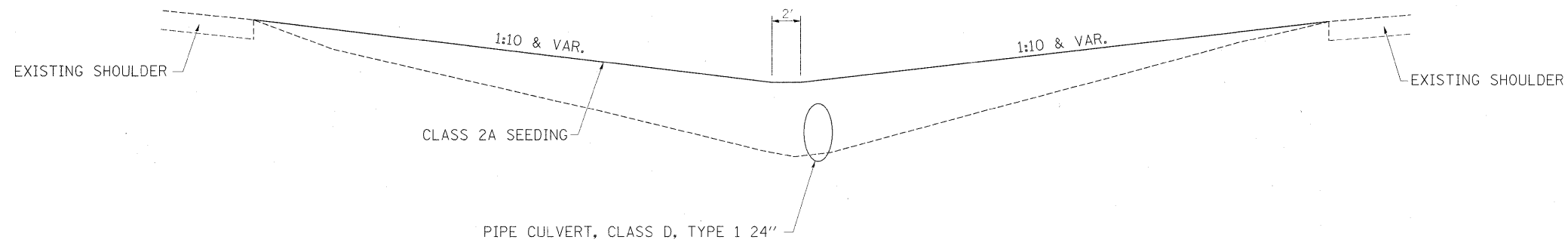


TYPICAL SECTIONS

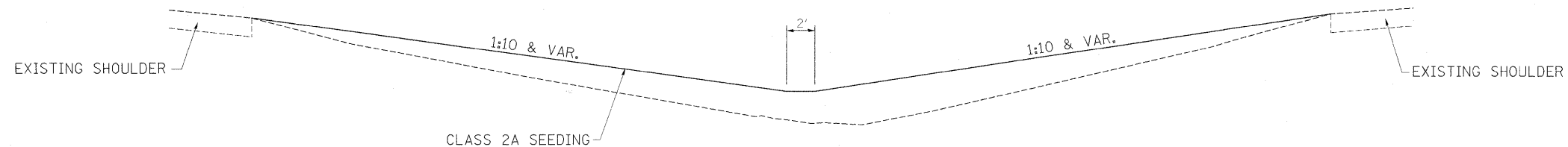
I-88

STA. 433+50 - 439+75
 STA. 631+75 - 635+75
 STA. 702+50 - 706+75
 STA. 803+75 - 807+50
 STA. 1107+00 - 1110+75



I-88

STA. 85+50 - 89+50
 STA. 181+25 - 185+75
 STA. 253+50 - 257+25
 STA. 868+50 - 872+50
 STA. 972+25 - 976+75
 STA. 1669+50 - 1671+25



SHOULDERS

I-74/I-280

STA. 254+22 - 256+85 RT
 STA. 264+24 - 266+84 RT
 STA. 303+34 - 305+69 RT
 STA. 418+29 - 420+89 LT
 STA. 473+66 - 475+77 LT
 STA. 733+30 - 734+66 RT

I-74

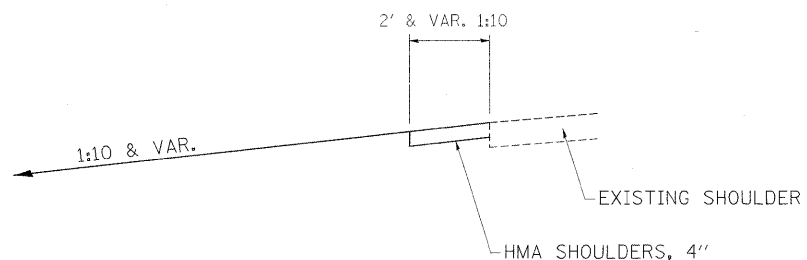
STA. 68+80 - 72+69 LT
 STA. 79+81 - 82+88 LT
 STA. 128+99 - 131+59 RT
 STA. 165+49 - 167+41 LT
 STA. 204+89 - 207+87 LT
 STA. 211+55 - 214+14 RT
 STA. 755+64 - 758+60 LT

I-88

STA. 1909+97 - 1912+83 LT

I-80

STA. 82+45 - 85+14 RT
 STA. 91+43 - 93+87 RT
 STA. 101+41 - 104+68 RT
 STA. 127+15 - 130+29 RT
 STA. 142+58 - 144+45 RT
 STA. 155+91 - 159+01 LT
 STA. 198+94 - 201+65 RT
 STA. 449+58 - 452+56 RT
 STA. 594+96 - 597+56 LT



I-280

STA. 349+16 - 352+63 LT
 STA. 452+27 - 453+34 LT

SOUTH OF I-74/I-280 INTERCHANGE
 NEAR AIRPORT ENTRANCE
 STA. 407.78 - 72.80 RT

Rev. 6-4-12

FILE NAME =	USER NAME = ankneyde	DESIGNED -	REVISED -
cs:\pw\work\pwwork\ankneyde\d0292974\0265212-sht-typical.dgn		DRAWN -	REVISED -
		CHECKED -	REVISED -
		DATE -	REVISED -

STATE OF ILLINOIS
 DEPARTMENT OF TRANSPORTATION

TYPICAL SECTIONS

SCALE: SHEET OF SHEETS STA. TO STA.

F.A.I. RTE.	SECTION	COUNTY	TOTAL SHEETS	SHEET NO.
*	D2 SAFETY 2012-2	**	151	5
ILLINOIS FED. AID PROJECT				
CONTRACT NO. 64H77				

* 74, 80, 88 & 280
 ** HENRY / ROCK ISLAND / WHITESIDE