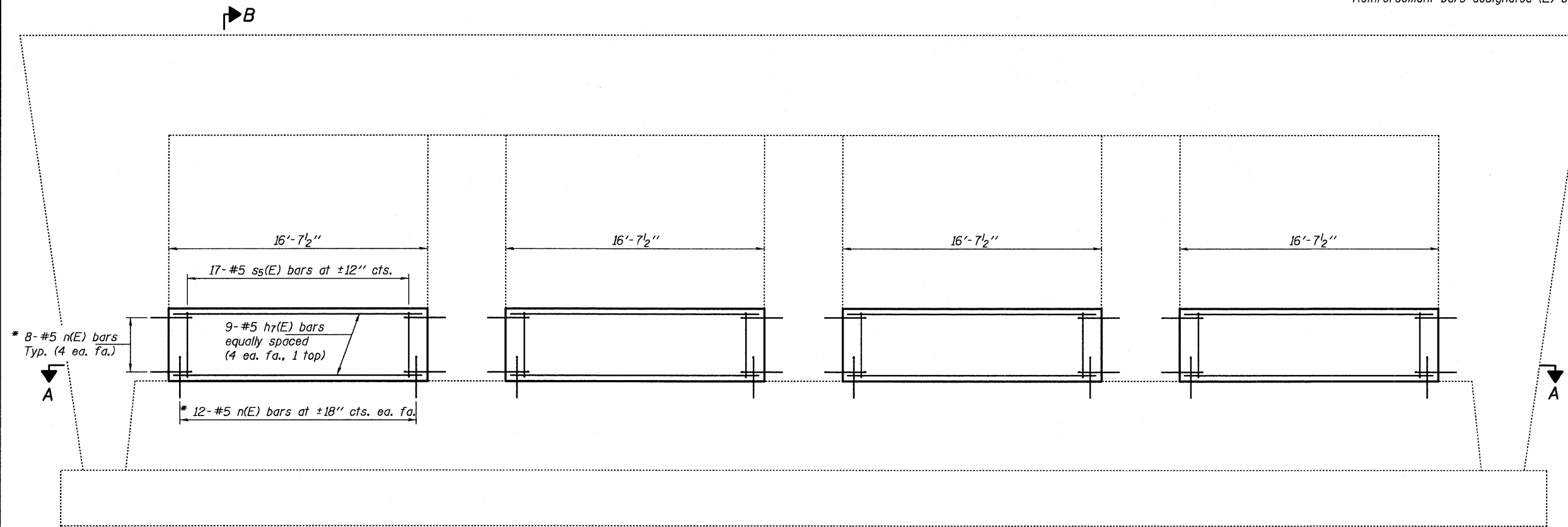
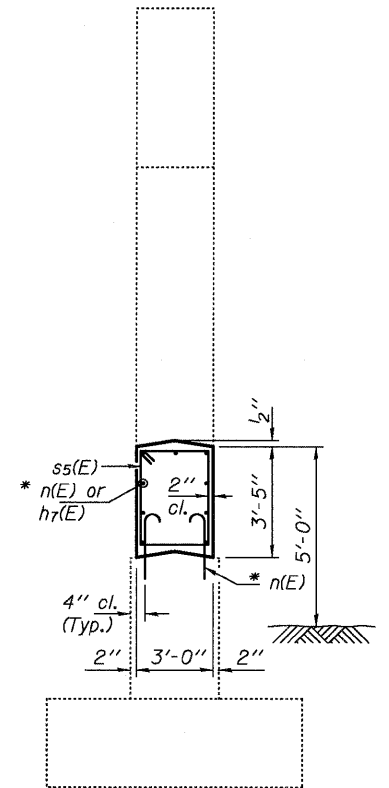


NOTES

The cost of epoxy grouting threaded rods shall be included with Reinforcement Bars, Epoxy Coated.
 Plan dimensions and details relative to existing plans are subject to nominal construction variations. The Contractor shall field verify existing dimensions and details affecting new construction and make necessary approved adjustments prior to construction or ordering of materials. Such variations shall not be cause for additional compensation for a change in scope of the work, however, the Contractor will be paid for the quantity actually furnished at the unit price bid for the work. Reinforcement bars designated (E) shall be epoxy coated.

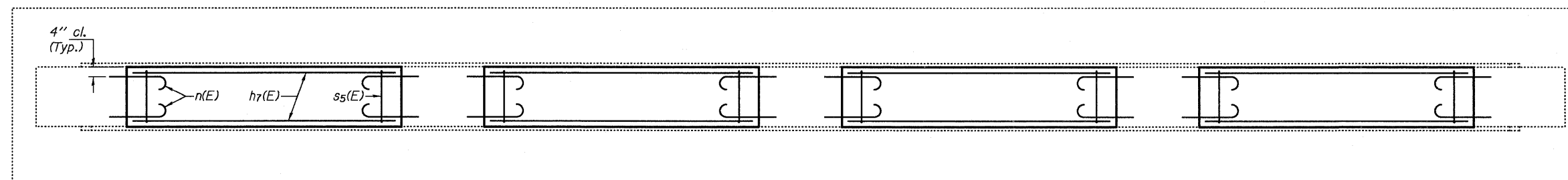


ELEVATION

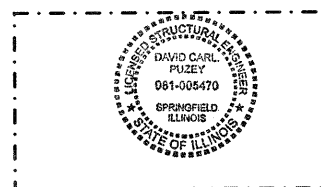


SECTION B-B

* Epoxy grout n(E) bars in 9" min. holes according to Article 584 of the Standard Specifications.



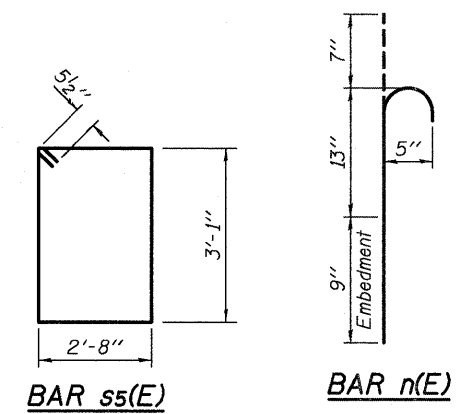
SECTION A-A



EXPIRES 11-30-2012

BILL OF MATERIAL

Bar	No.	Size	Length	Shape
ht(E)	36	#5	16'-3"	—
n(E)	160	#5	2'-5"	⌋
ss(E)	68	#5	12'-5"	□
Concrete Structures			Cu. Yd.	25.2
Reinforcement Bars, Epoxy Coated			Pound	1890



DESIGNED *DAB*
 CHECKED *VP*
 DRAWN *balva*
 CHECKED *DAB VP*

EXAMINED *[Signature]*
 PASSED *[Signature]*
 ACTING ENGINEER OF BRIDGES AND STRUCTURES

DATE - APRIL 23, 2012
 REVISED *[Symbol]* 06/04/2012
 REVISED

**STATE OF ILLINOIS
 DEPARTMENT OF TRANSPORTATION**

**PIER CRASHWALL EXTENSION
 081-0125**

SHEET NO. OF SHEETS

F.A.I. RTE.	SECTION	COUNTY	TOTAL SHEETS	SHEET NO.
88	D2 SAFETY 2012-2	ROCK ISLAND	151	96
CONTRACT NO. 64H77				
[ILLINOIS] FED. AID PROJECT				