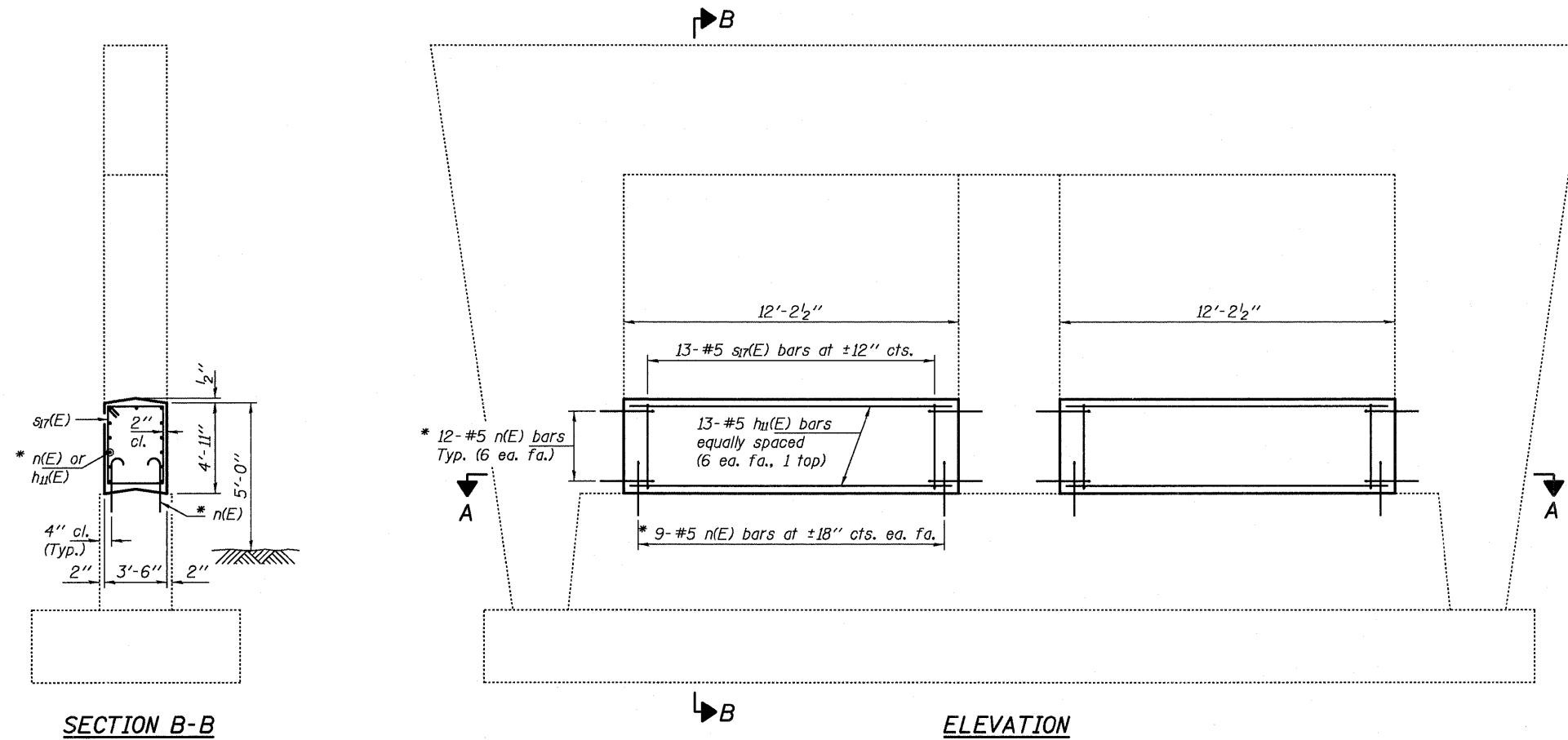


NOTES

The cost of epoxy grouting threaded rods shall be included with Reinforcement Bars, Epoxy Coated.
 Plan dimensions and details relative to existing plans are subject to nominal construction variations. The Contractor shall field verify existing dimensions and details affecting new construction and make necessary approved adjustments prior to construction or ordering of materials. Such variations shall not be cause for additional compensation for a change in scope of the work, however, the Contractor will be paid for the quantity actually furnished at the unit price bid for the work. Reinforcement bars designated (E) shall be epoxy coated.

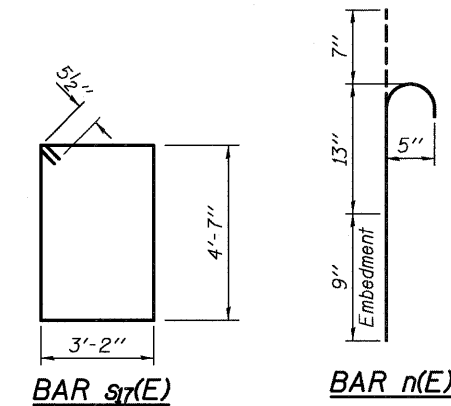


SECTION B-B

ELEVATION

SECTION A-A

* Epoxy grout n(E) bars in 9" min. holes according to Article 584 of the Standard Specifications.



EXPIRES 11-30-2012

BILL OF MATERIAL

Bar	No.	Size	Length	Shape
h11(E)	26	#5	11'-10"	—
n(E)	84	#5	2'-5"	⌋
s7r(E)	26	#5	16'-5"	□
Concrete Structures			Cu. Yd.	15.6
Reinforcement Bars, Epoxy Coated			Pound	980

DESIGNED <i>DAB</i>	EXAMINED <i>J.F. [Signature]</i>	DATE - APRIL 23, 2012	STATE OF ILLINOIS DEPARTMENT OF TRANSPORTATION	PIER CRASHWALL EXTENSION 081-0133	F.A.I. RTE. 88	SECTION Δ 2 SAFETY 2012-2	COUNTY ROCK ISLAND	TOTAL SHEETS 151	SHEET NO. 102
CHECKED <i>VP</i>	PASSED <i>[Signature]</i>	REVISED Δ 06/04/2012			CONTRACT NO. 64H77				
DRAWN <i>baliva</i>	ACTING ENGINEER OF BRIDGES AND STRUCTURES	REVISED			ILLINOIS FED. AID PROJECT				
CHECKED <i>DAB VP</i>			SHEET NO. OF SHEETS						