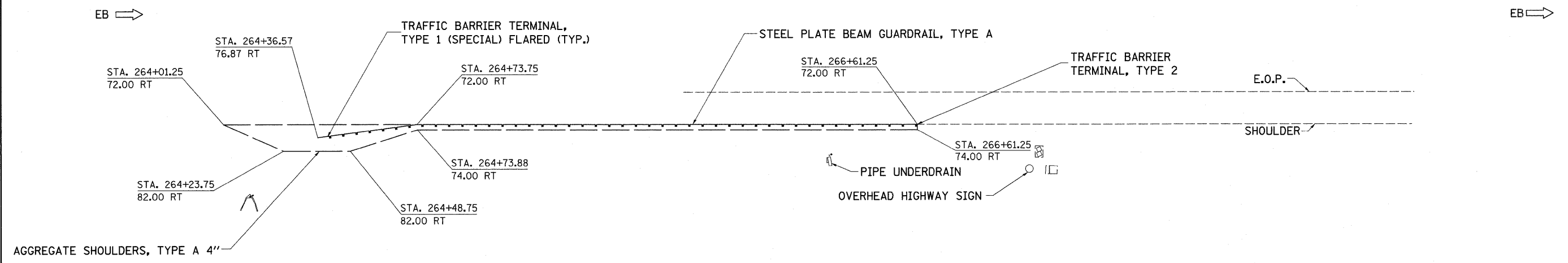




☉ I-74/I-280 MEDIAN  
 264 | 265+00 | 266 | 267 | 268 | 269



FILE NAME =	USER NAME = ankneyde	DESIGNED -	REVISED -	<b>STATE OF ILLINOIS DEPARTMENT OF TRANSPORTATION</b>	<b>I-74 /I-280 PLAN SHEET</b>		F.A.I. RTE.	SECTION	COUNTY	TOTAL SHEETS	SHEET NO.
c:\pwork\pwork\ankneyde\d2292974\02265212-sht-plnprf.dgn		DRAWN -	REVISED -		*	D2 SAFETY 2012-2	**	151	90		
PLOT SCALE = 20.0000' / in.		CHECKED -	REVISED -		SCALE: SHEET OF SHEETS STA. TO STA.		CONTRACT NO. 64H77		ILLINOIS FED. AID PROJECT		
PLOT DATE = Tue May 01 07:10:19 2012		DATE -	REVISED -		* 74, 80, 88, & 280		** HENRY/ROCK ISLAND/WHITESIDE				