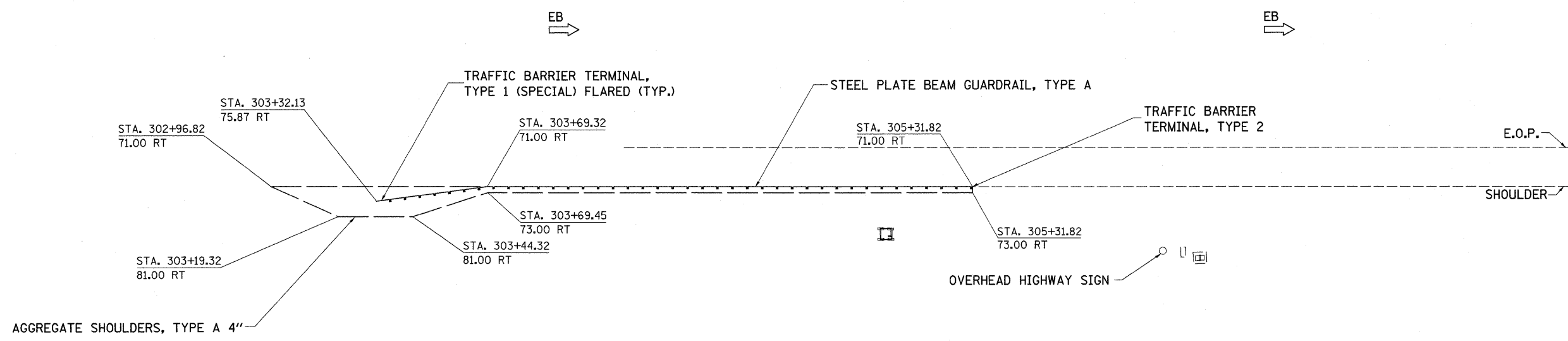




302      I-74/I-280 MEDIAN      303      304      305+00      306      307



FILE NAME =	USER NAME = ankneyde	DESIGNED -	REVISED -	<b>STATE OF ILLINOIS DEPARTMENT OF TRANSPORTATION</b>	<b>I-74 /I-280 PLAN SHEET</b>		F.A.I. RTE. *	SECTION D2 SAFETY 2012-2	COUNTY **	TOTAL SHEETS 151	SHEET NO. 91
cc:\pwork\pwork\ankneyde\10292974\10292974-212-sht-plnprf.dgn	PLOT SCALE = 20,0000' / in.	DRAWN -	REVISED -		SCALE:	SHEET OF SHEETS	STA. TO STA.	ILLINOIS FED. AID PROJECT		CONTRACT NO. 64H77	
	PLOT DATE = Tue May 01 07:10:39 2012	CHECKED -	REVISED -								
		DATE -	REVISED -								

\* 74, 80, 88, & 280  
\*\* HENRY/ROCK ISLAND/WHITESIDE