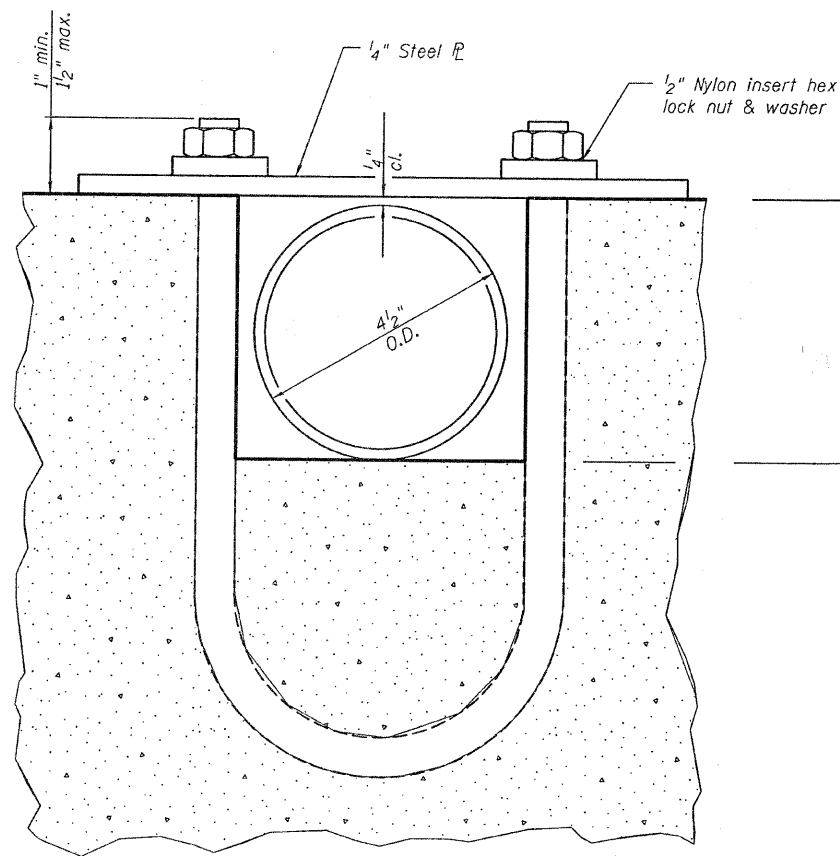
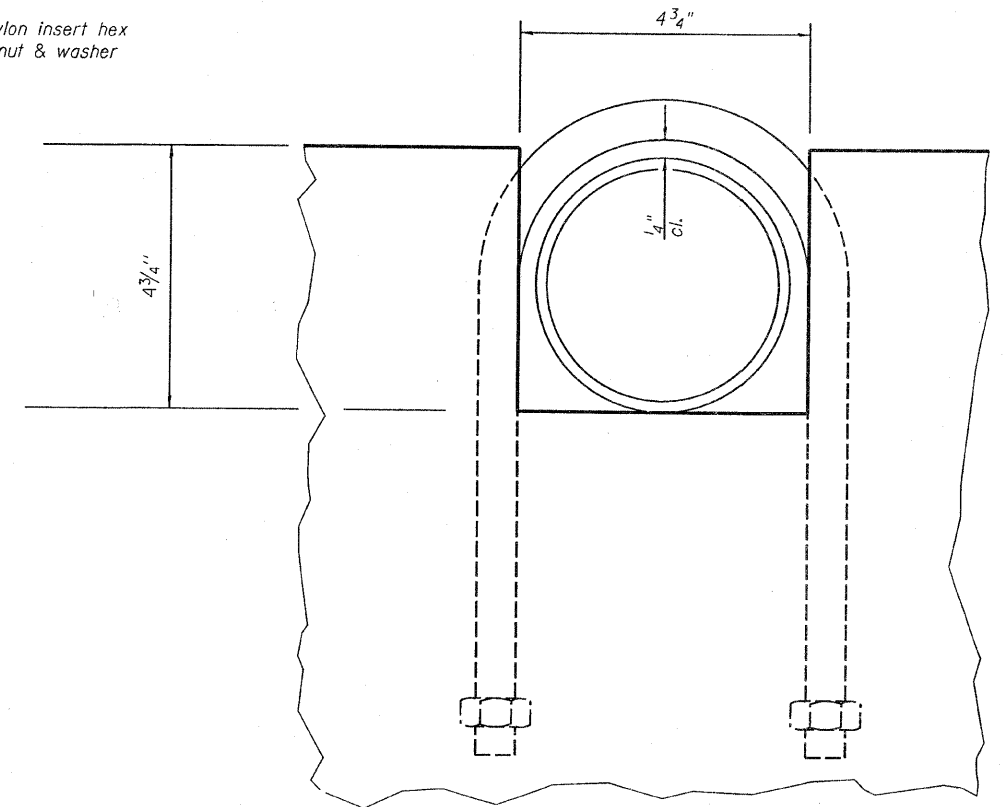


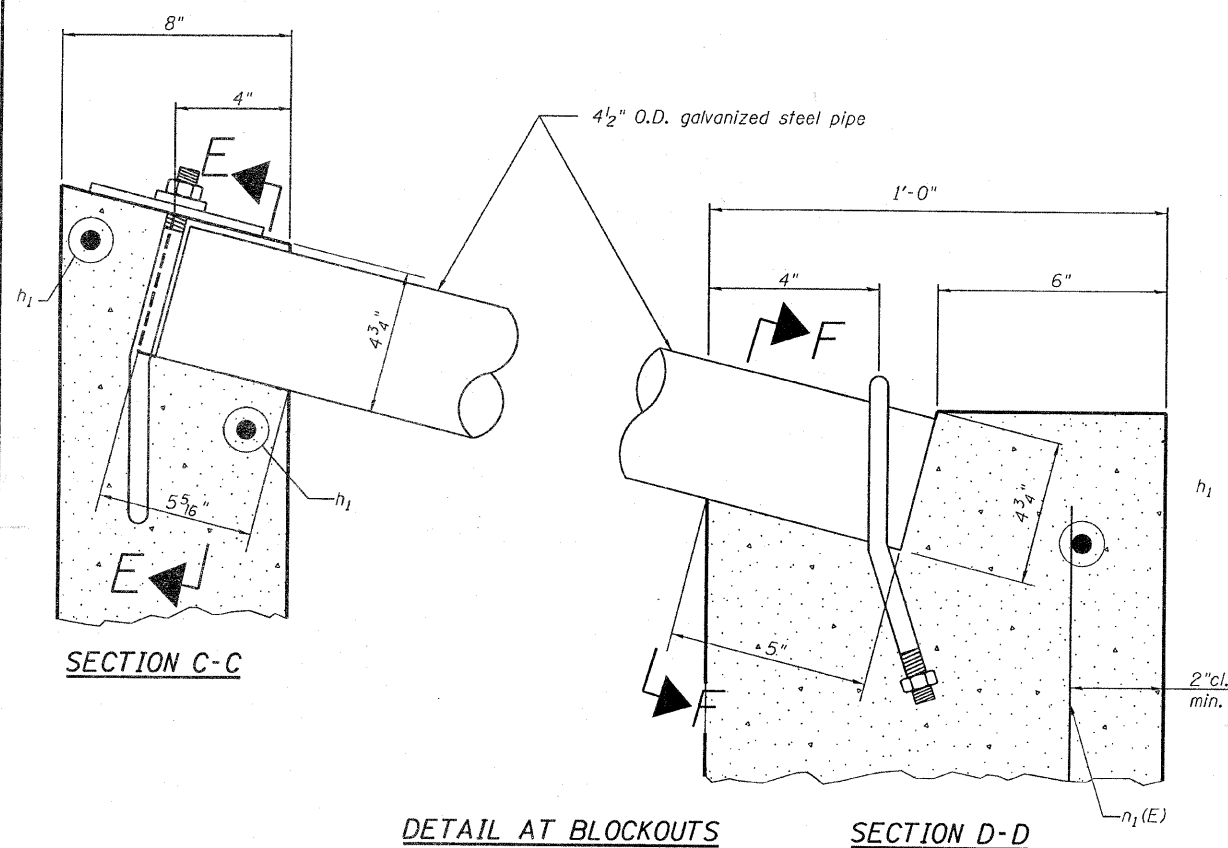
TOP ANCHOR PLATE
(9 - required)



SECTION E-E

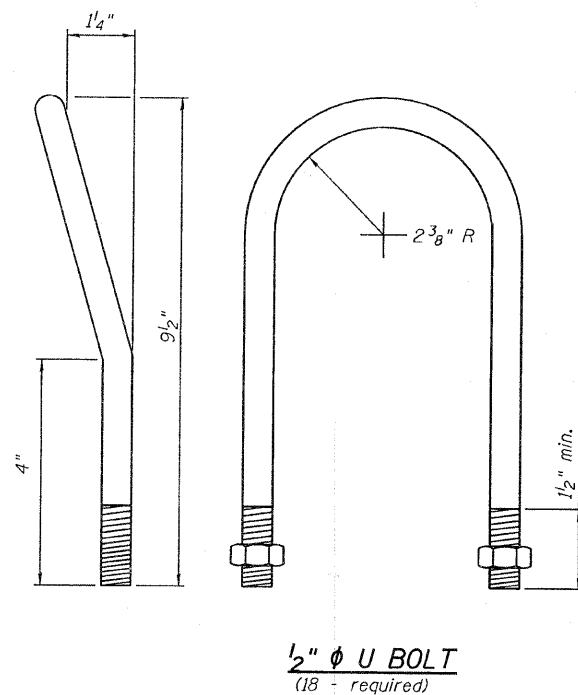


SECTION F-F



DETAIL AT BLOCKOUTS

SECTION D-D



GENERAL NOTES

Length and number of steel pipes shall be determined by the Contractor except as shown. All steel pipe shall be standard weight (Sch. 40) unless otherwise noted.

All components of the Traversable Pipe Grate shall be galvanized according to the requirements of AASHTO M 111 or M 232 as applicable.

Fabrication of the Traversable Steel Pipe System shall conform to the requirements in Sections 505 of the Standard Specifications unless noted otherwise.

Structural steel shapes and plates shall conform to the requirements of Article 1006.04 of the Standard Specifications. Steel pipes shall conform to the requirements of ASTM A 53 (Type E or S), Grade B.

Anchor rods shall conform to the requirements of ASTM F1554, Grade 105. Anchor rods shall be drilled and epoxy grouted according to the requirements of Section 584 of the Standard Specifications. The chemical adhesive system shall be capable of achieving a minimum proof load of 5000 pounds and an ultimate shear capacity of 8000 pounds per anchor.

Bolts and thru bolts shall conform to the requirements of Article 1006.08 of the Standard Specifications except threaded rods conforming to the requirements of ASTM F1554, Grade 105 may be used for thru bolts.

The minimum edge distance from the center of a hole to the free edge of a structural shape or plate shall be 1 1/2" unless noted otherwise.

Bolts and anchor rods shall be snug tightened by a few impacts of an impact wrench or the full force of a worker using an ordinary wrench.

All work associated with fabricating, furnishing, and installing the Traversable Pipe Grate will be measured in place in feet. The measured length will include the main pipes. All work will be paid for at the contract unit price per foot for Traversable Pipe Grate.

FILE NAME =	USER NAME =	DESIGNED -	REVISD -
		CHECKED -	REVISD -
		DRAWN -	REVISD -
		CHECKED -	REVISD -

STATE OF ILLINOIS
DEPARTMENT OF TRANSPORTATION

GENERAL NOTES AND DETAILS

F.A.P. RTE.	SECTION	COUNTY	TOTAL SHEETS	SHEET NO.
301	44M-1	JoDavless	49	8
CONTRACT NO.			64H92	

SHEET NO. 3 OF 3 SHEETS

ILLINOIS FED. AID PROJECT