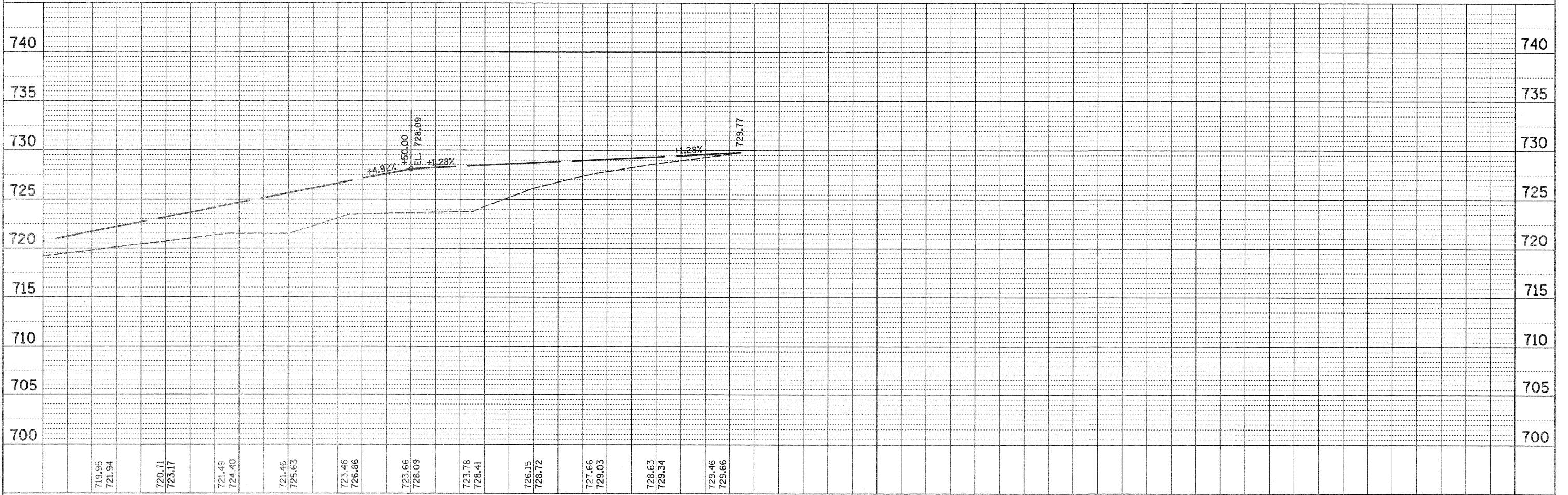
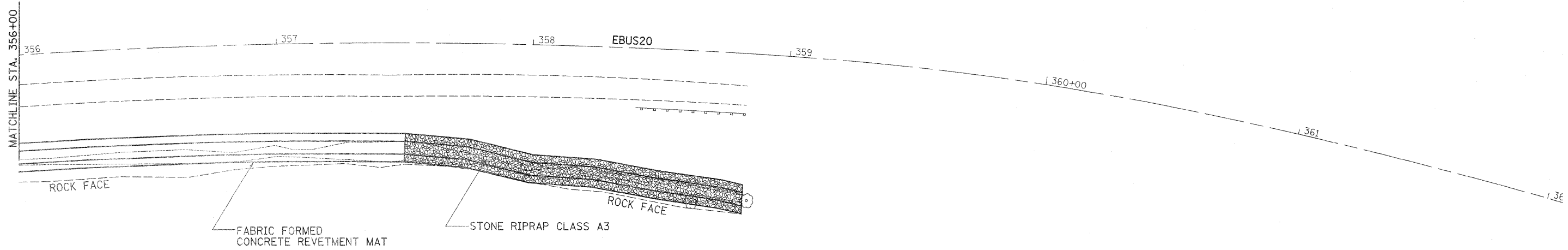


PLAN	SURVEYED	DATE
	PLOTTED	BY
	ALIGNED	
	CHECKED	
	CADD FILE NAME	
	NOTE BOOK NO.	

PROFILE	SURVEYED	DATE
	PLOTTED	BY
	GRADES CHECKED	
	STRUCTURE NOTATIONS OK'D	
	NOTE BOOK NO.	



FILE NAME =	USER NAME = renkesrv	DESIGNED -	REVISED -	<b>STATE OF ILLINOIS DEPARTMENT OF TRANSPORTATION</b>	<b>EB US 20 PLAN &amp; PROFILE</b>	F.A.P. RTE.	SECTION	COUNTY	TOTAL SHEETS	SHEET NO.
c:\p\work\p\dot\renkesrv\d0297111\0206912-sht-plnpr-f.dgn	PLOT SCALE = 20.0000' / 1" =	DRAWN -	REVISED -			301	44M-1	JO DAVIESS	49	11
PLOT DATE = Thu Apr 12 08:41:37 2012	DATE -	CHECKED -	REVISED -			CONTRACT NO. 64H92				
		DATE -	REVISED -			ILLINOIS FED. AID PROJECT				