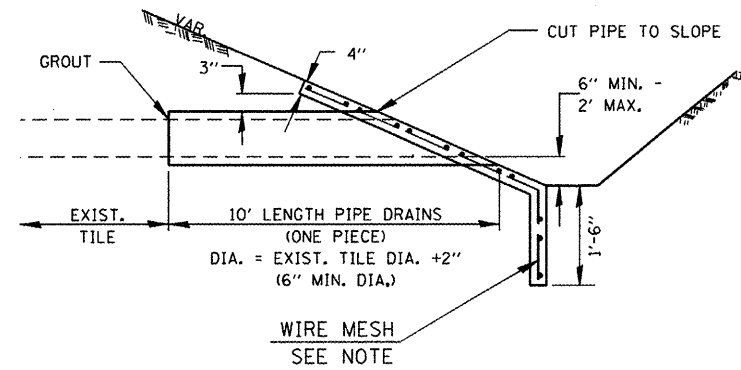
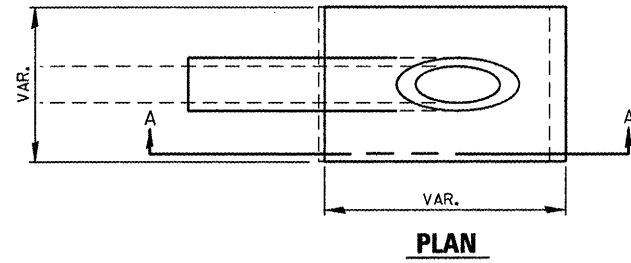
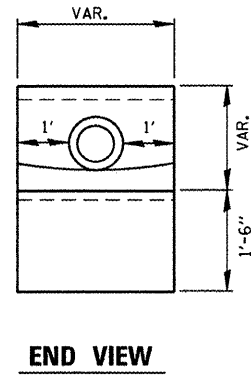


NOTES

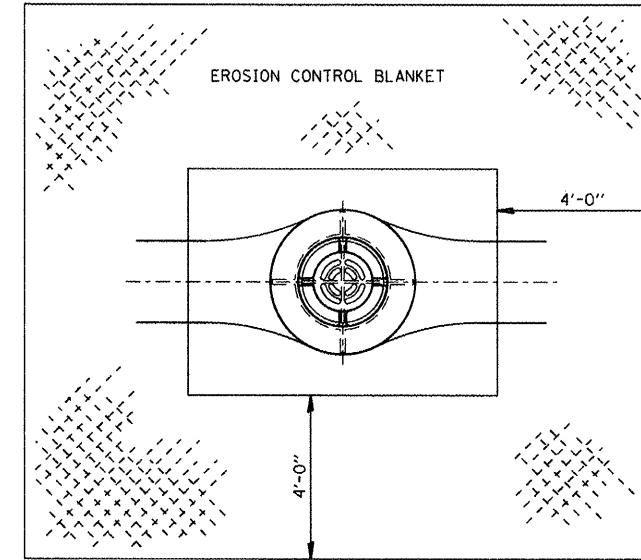
1. ANY FIELD TILE OUTLET INTO A DITCH SHALL HAVE A HEADWALL BUILT IN ACCORDANCE WITH THIS DETAIL.
2. COST OF FURNISHING AND INSTALLING WIRE MESH SHALL BE INCLUDED IN THE CONTRACT UNIT PRICE PER CUBIC YARD FOR MISCELLANEOUS CONCRETE. WIRE MESH TO WEIGH NOT LESS THAN 58# PER 100 SQ. FT.



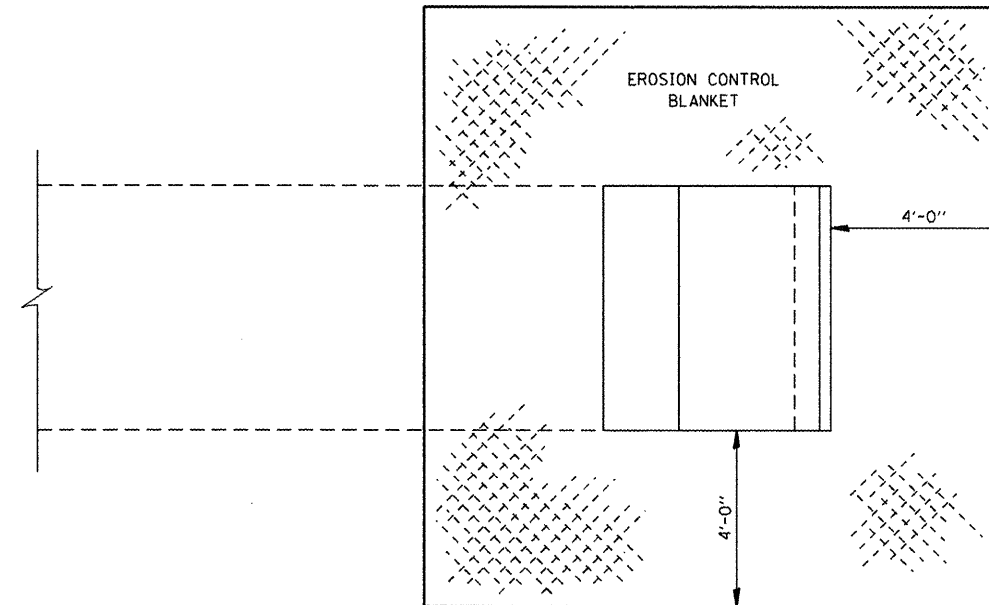
SECTION A-A



PIPE DRAINS & CONCRETE HEADWALLS



**EROSION CONTROL BLANKET
AT MEDIAN INLET STD. 604101 OR STD. 640106**



**EROSION CONTROL BLANKET AT PRECAST
BOX CULVERT END SECTIONS**

FILE NAME =	USER NAME = fergusonse	DESIGNED -	REVISED -
ct:\pwork\pedit\fergusonse\d0294370\066899-sh1-detai1s.dgn		DRAWN -	REVISED -
	PLOT SCALE = 100.0000 / 1/16	CHECKED -	REVISED -
	PLOT DATE = 3/30/2012	DATE -	REVISED -

**STATE OF ILLINOIS
DEPARTMENT OF TRANSPORTATION**

CADD DETAILS

SCALE: SHEET NO. OF SHEETS STA. TO STA.

F.A. RTE.	SECTION	COUNTY	TOTAL SHEETS	SHEET NO.
39	D3 IMPACT ATTENUATOR 2012-2	LASALLE	94	10
CONTRACT NO. 66B99			ILLINOIS FED. AID PROJECT	