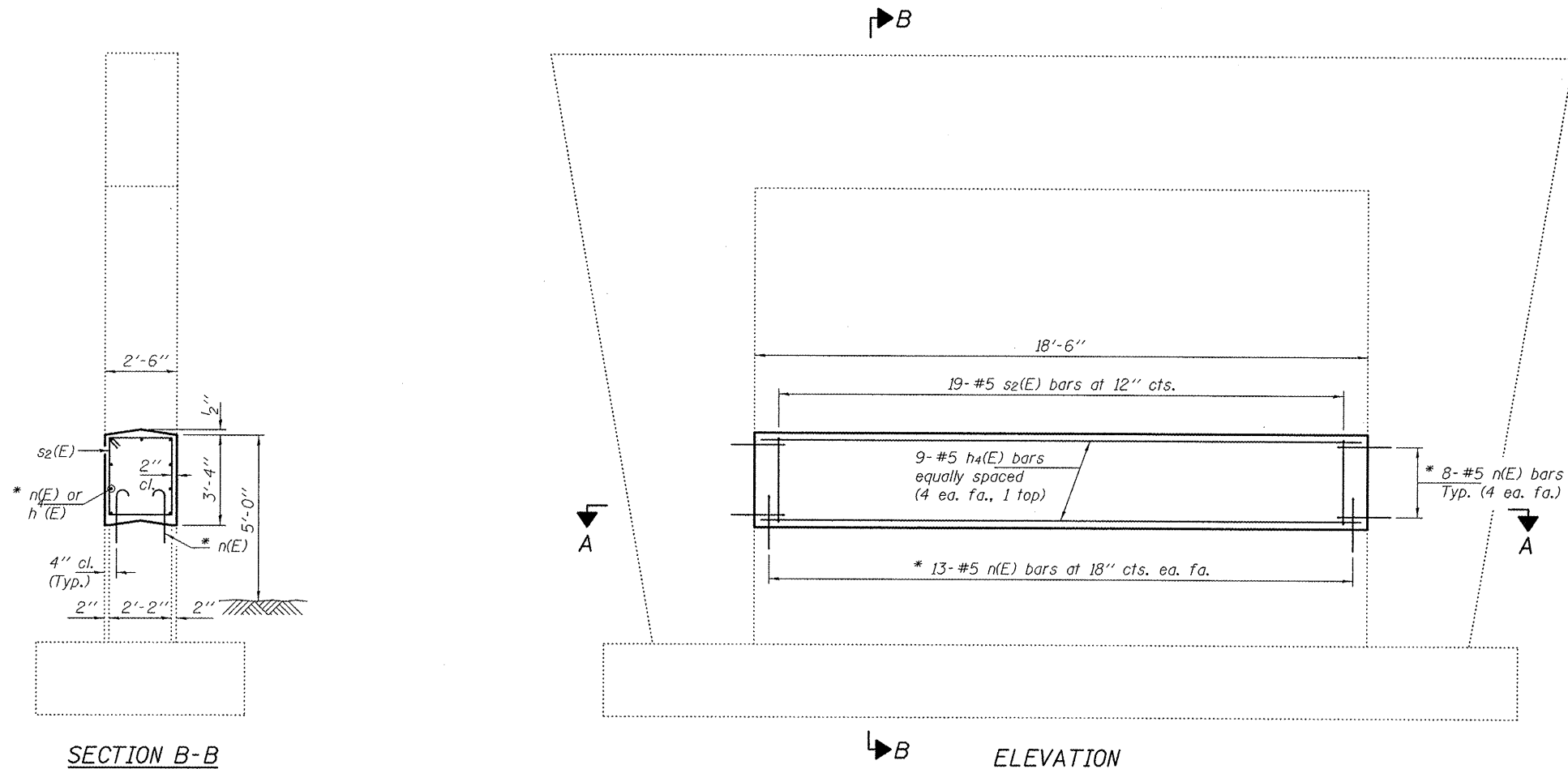


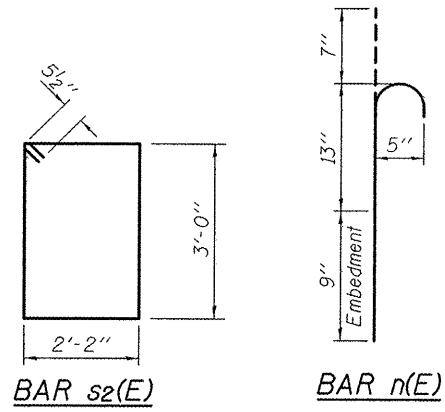
NOTES

The cost of epoxy grouting threaded rods shall be included with Reinforcement Bars, Epoxy Coated.

Plan dimensions and details relative to existing plans are subject to nominal construction variations. The Contractor shall field verify existing dimensions and details affecting new construction and make necessary approved adjustments prior to construction or ordering of materials. Such variations shall not be cause for additional compensation for a change in scope of the work, however, the Contractor will be paid for the quantity actually furnished at the unit price bid for the work. Reinforcement bars designated (E) shall be epoxy coated.

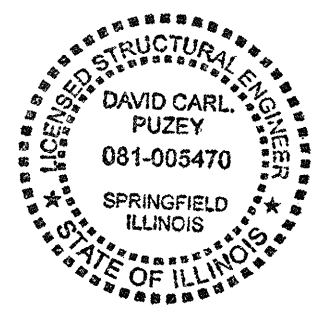


* Epoxy grout n(E) bars in 9" min. holes according to Article 584 of the Standard Specifications.



BILL OF MATERIAL

| Bar | No. | Size | Length | Shape |
|----------------------------------|-----|------|---------|-------|
| h4(E) | 9 | #5 | 18'-2" | — |
| n(E) | 42 | #5 | 2'-5" | ⊥ |
| s2(E) | 19 | #5 | 11'-3" | □ |
| Concrete Structures | | | Cu. Yd. | 5.7 |
| Reinforcement Bars, Epoxy Coated | | | Pound | 500 |



| | | | | | | | | | | |
|---------------------|---|--------------------|---|--|---------------------------|-------------------------------------|--------------------|-----------------|--------------|--|
| DESIGNED <i>DAB</i> | EXAMINED <i>John F. [Signature]</i> | DATE - MAY 1, 2012 | STATE OF ILLINOIS DEPARTMENT OF TRANSPORTATION | PIER CRASHWALL EXTENSION SN 50-0175 | F.A.I. RTE. 39 | SECTION D3 IMPACT ATTENUATOR 2012-2 | COUNTY LaSALLE | TOTAL SHEETS 94 | SHEET NO. 13 | |
| CHECKED <i>VP</i> | PASSED <i>John Carl Puzey</i> | REVISED | | | SHEET NO. 3 OF 9 SHEETS | | CONTRACT NO. 66B99 | | | |
| DRAWN <i>baliva</i> | ACTING ENGINEER OF BRIDGES AND STRUCTURES | REVISED | | | ILLINOIS FED. AID PROJECT | | | | | |