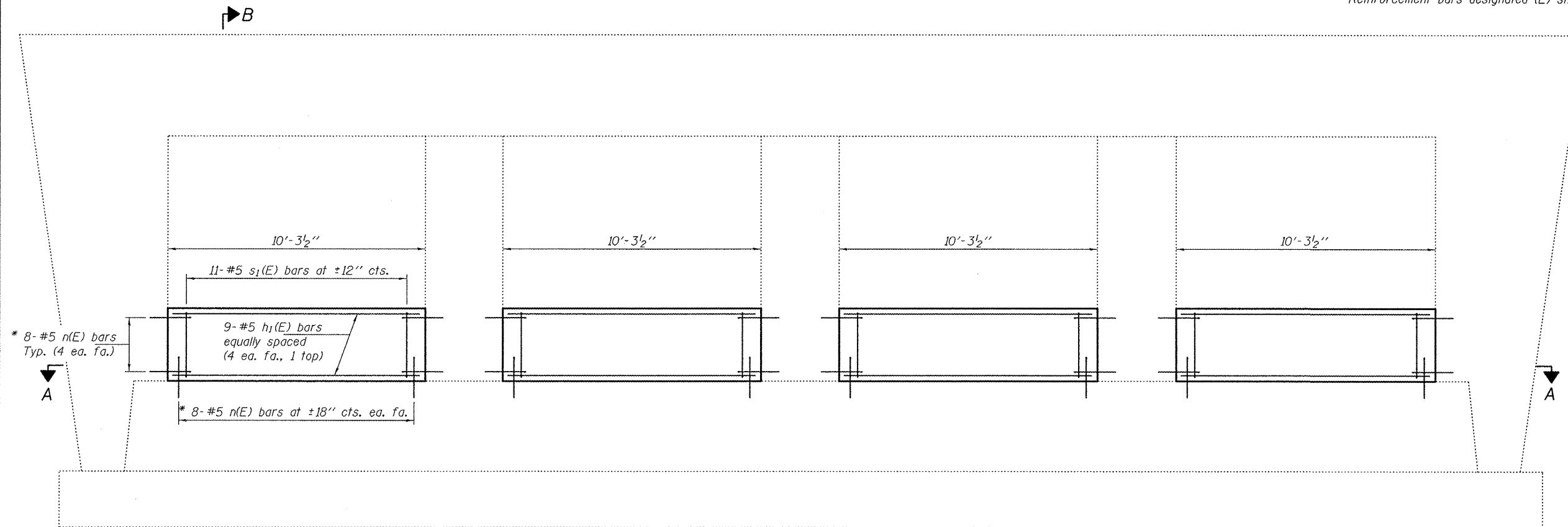
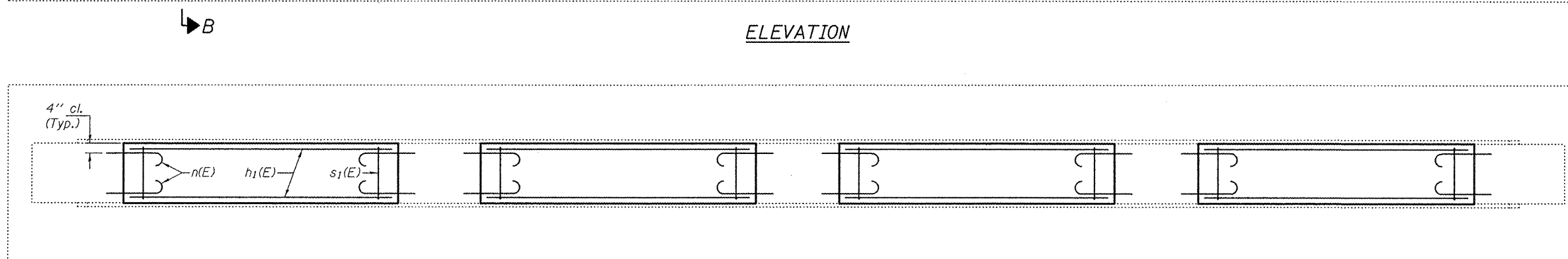


**NOTES**

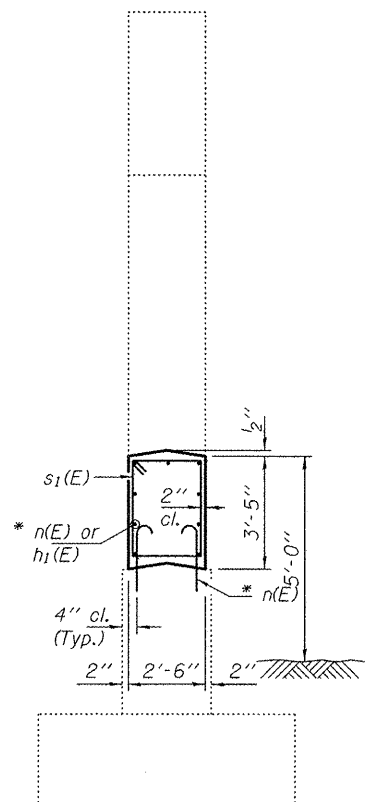
The cost of epoxy grouting threaded rods shall be included with Reinforcement Bars, Epoxy Coated.  
 Plan dimensions and details relative to existing plans are subject to nominal construction variations. The Contractor shall field verify existing dimensions and details affecting new construction and make necessary approved adjustments prior to construction or ordering of materials. Such variations shall not be cause for additional compensation for a change in scope of the work, however, the Contractor will be paid for the quantity actually furnished at the unit price bid for the work.  
 Reinforcement bars designated (E) shall be epoxy coated.



**ELEVATION**

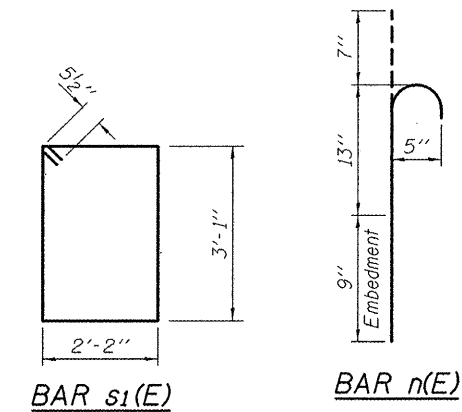


**SECTION A-A**



**SECTION B-B**

\* Epoxy grout n(E) bars in 9" min. holes according to Article 584 of the Standard Specifications.



**BILL OF MATERIAL**

Bar	No.	Size	Length	Shape
h <sub>1</sub> (E)	36	#5	9'-11"	—
n(E)	128	#5	2'-5"	⊔
s <sub>1</sub> (E)	44	#5	11'-5"	U
Concrete Structures			Cu. Yd.	13.0
Reinforcement Bars, Epoxy Coated			Pound	1220



EXPIRES 11-30-2012

DESIGNED <i>DAB</i>	EXAMINED <i>Jan F. Jolly</i>	DATE - MAY 1, 2012
CHECKED <i>VP</i>	PASSED <i>David Carl Puzey</i>	REVISED
DRAWN <i>baliva</i>	ACTING ENGINEER OF BRIDGES AND STRUCTURES	REVISED
CHECKED <i>DAB VP</i>		

**STATE OF ILLINOIS  
 DEPARTMENT OF TRANSPORTATION**

**PIER CRASHWALL EXTENSION  
 SN 050-0165**

SHEET NO. 8 OF 9 SHEETS

F.A.1 RTE.	SECTION	COUNTY	TOTAL SHEETS	SHEET NO.
39	D3 IMPACT ATTENUATOR 2012-2	LoSALLE	94	18
CONTRACT NO. 66B99			ILLINOIS FED. AID PROJECT	