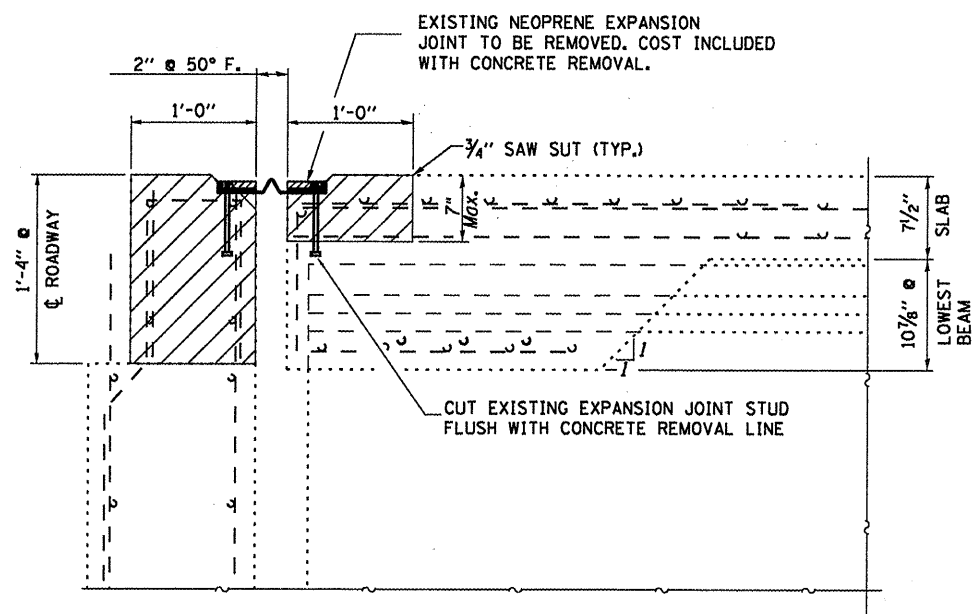
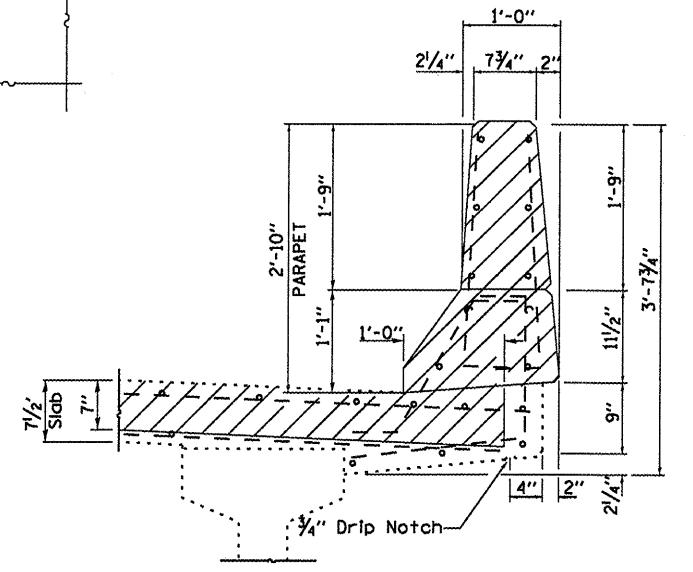


PLAN
WEST ABUTMENT SHOWN
EAST ABUTMENT SIMILAR THRU 180° ROTATION

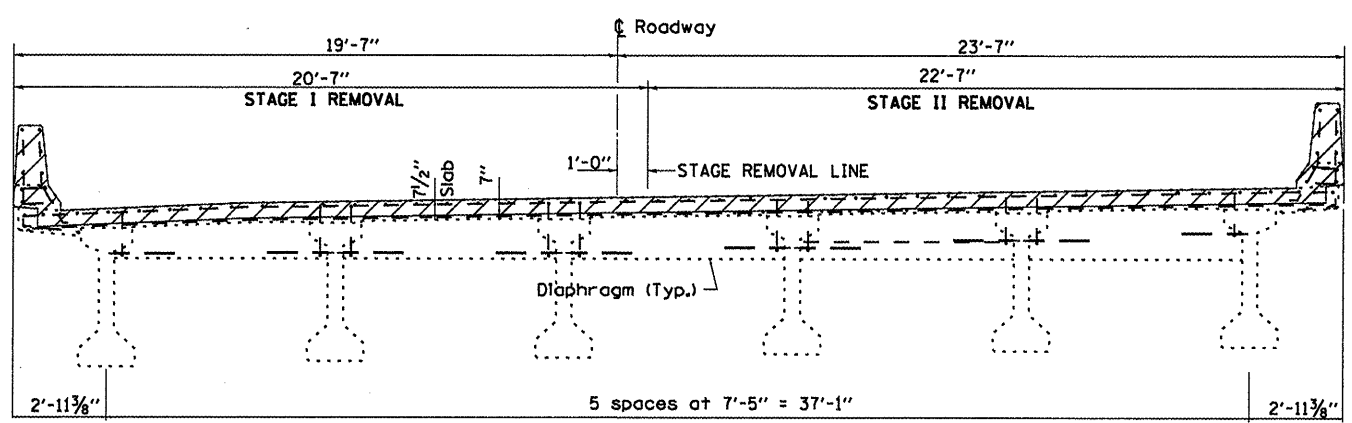


SECTION A-A
Measurements at Right L's

CONCRETE REMOVAL



SECTION THRU PARAPET (TYP.)



CROSS SECTION AT EXPANSION JOINT
LOOKING EAST

FILE NAME =	USER NAME = carpenterdj	DESIGNED - RLW	REVISED -
c:\pwwork\pwwork\carpenterdj\d0295082	1366C08-shr-details.dgn	DRAWN - RLW	REVISED -
	PLOT SCALE = 100@ 1" / in.	CHECKED -	REVISED -
	PLOT DATE = 4/5/2012	DATE -	REVISED -

STATE OF ILLINOIS
DEPARTMENT OF TRANSPORTATION

SUPERSTRUCTURE REMOVAL DETAILS FOR
STRUCTURE NO. 032-0011 (EB)

SCALE: SHEET 2 OF 9 SHEETS STA. 1131+21.81 TO STA. 1132+59.17

F.A.I. RTE. 80	SECTION 032-2B1-1	COUNTY GRUNDY	TOTAL SHEETS 27	SHEET NO. 20
			CONTRACT NO. 66C08	
ILLINOIS FED. AID PROJECT				