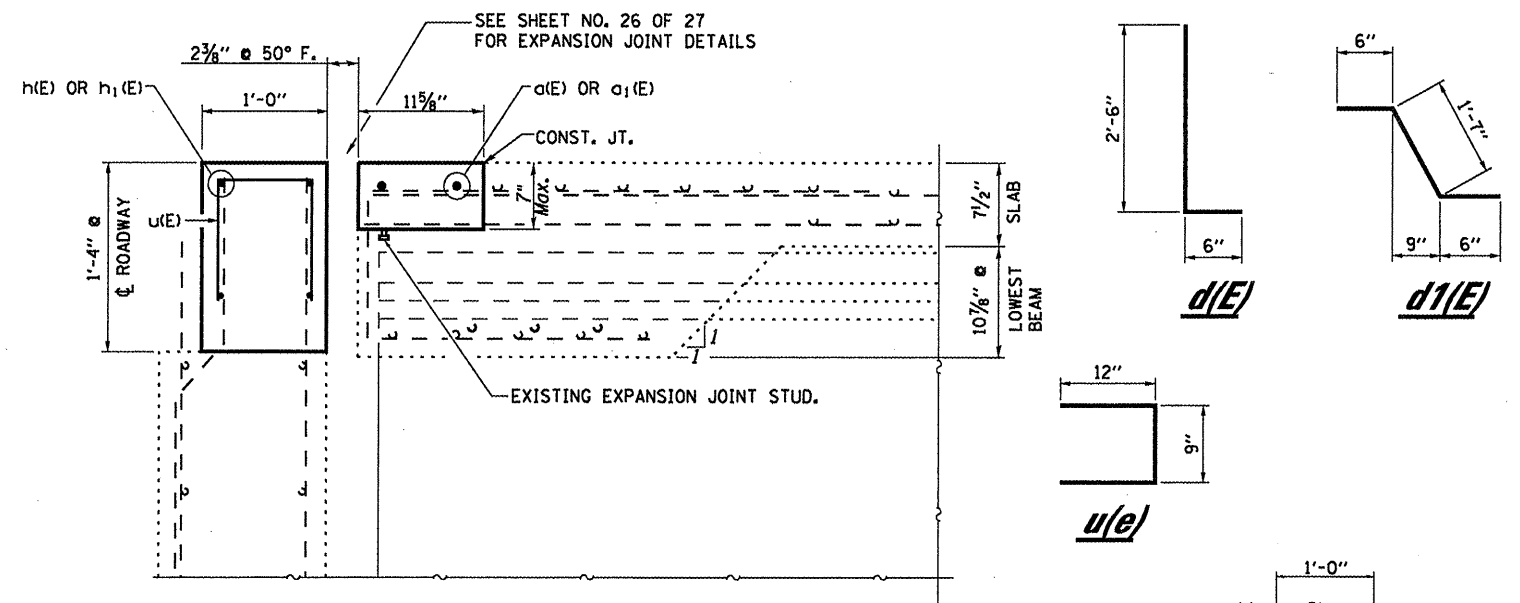


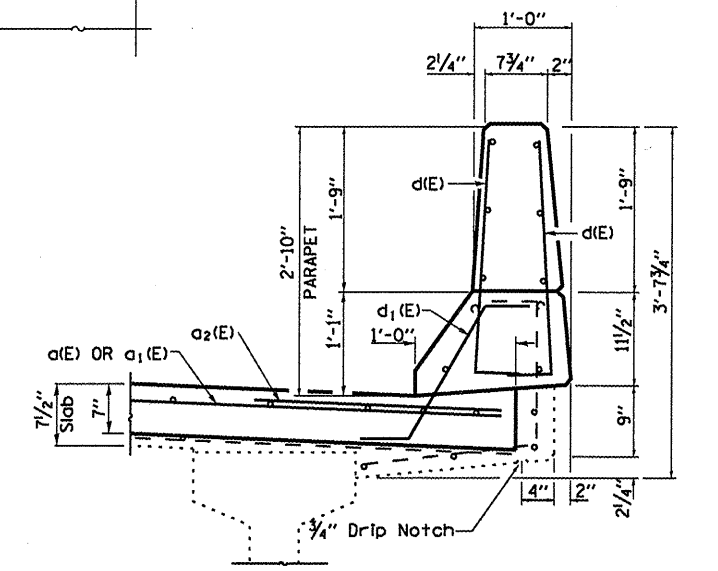
**PLAN**  
WEST ABUTMENT SHOWN  
EAST ABUTMENT SIMILAR THRU 180 ROTATION



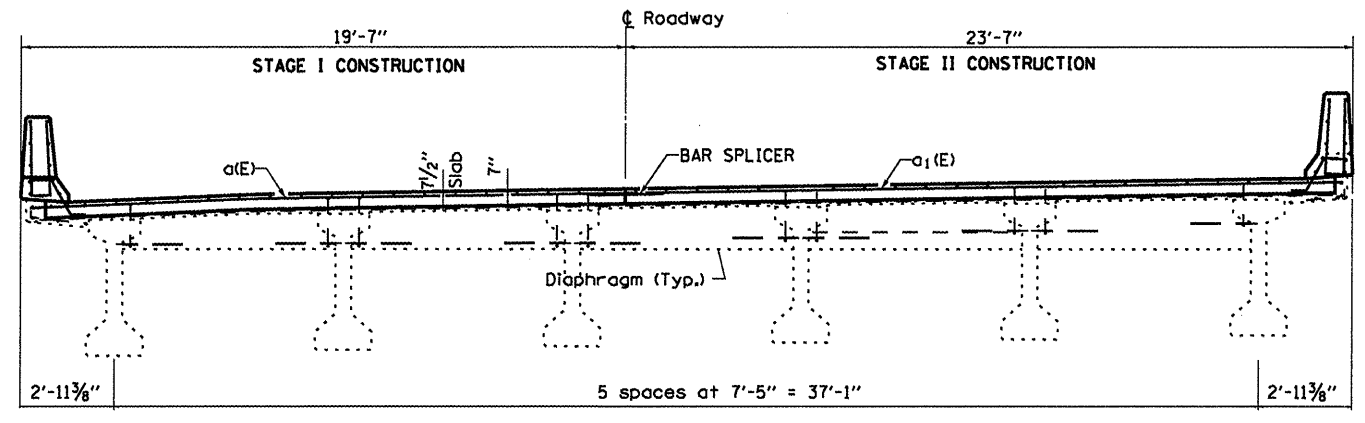
**SECTION D-D**  
Measurements at Right L's

**BILL OF MATERIAL**  
SN 032-0012 (W.B.)

Bar	No.	Size	Length	Shape
a(E)	4	#7	19'-5"	—
a1(E)	4	#7	23'-6"	—
a2(E)	4	#6	4'-0"	—
d(E)	12	#5	3'-0"	┌
d1(E)	6	#5	2'-7"	└
h(E)	8	#6	18'-4"	—
h1(E)	8	#6	22'-6"	—
u(E)	84	#5	2'-9"	—
Concrete Removal		Cu. Yd.	7.4	
Concrete Superstructure		Cu. Yd.	7.4	
Reinforcement Bars		Lbs.	1106	
Epoxy Coated				



**SECTION THRU PARAPET (TYP.)**



**CROSS SECTION AT WEST ABUTMENT**  
LOOKING WEST

FILE NAME =	USER NAME = oarpenterdj	DESIGNED - RLW	REVISED -	STATE OF ILLINOIS DEPARTMENT OF TRANSPORTATION	SUPERSTRUCTURE CONSTRUCTION DETAILS FOR STRUCTURE NO. 032-0012 (WB)	F.A.I. RTE. 80	SECTION (32-2BII-1)	COUNTY GRUNDY	TOTAL SHEETS 27	SHEET NO. 25	
o:\pwork\pwork\oarpenterdj\d0295002\0366C08-sht-details.dgn	PLOT SCALE = 1/8" = 1' / in.	DRAWN - RLW	REVISED -			SCALE:	SHEET 7 OF 9 SHEETS	STA. 1131+42.60 TO STA. 1132+75.51	CONTRACT NO. 66C08		ILLINOIS FED. AID PROJECT
	PLOT DATE = 4/5/2012	CHECKED -	REVISED -								
		DATE -	REVISED -								