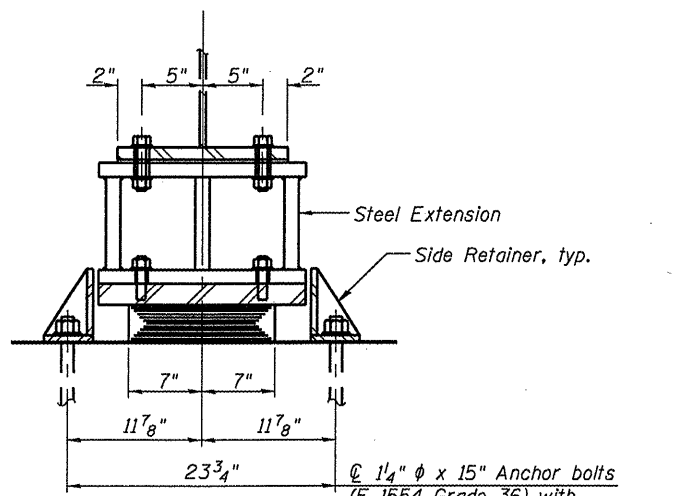
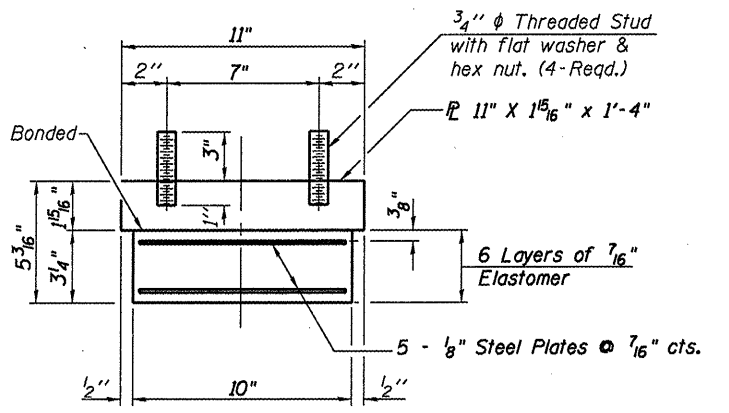


ELEVATION AT ABUT.



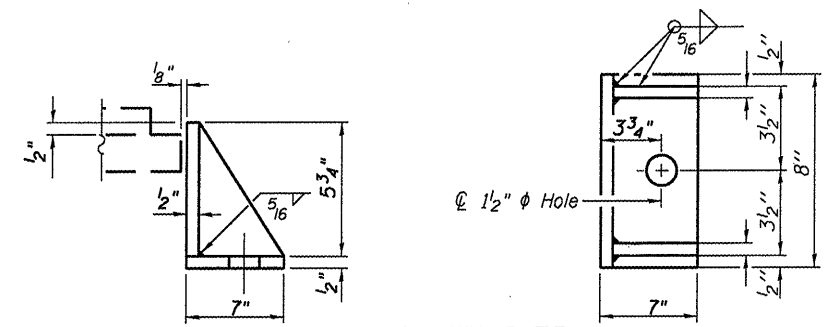
SECTION A-A
 @ 1 1/4" phi x 15" Anchor bolts (F 1554 Grade 36) with 2 3/4" x 2 3/4" phi x 5/16" P washer under nut

TYPE I ELASTOMERIC EXP. BRG.



BEARING ASSEMBLY

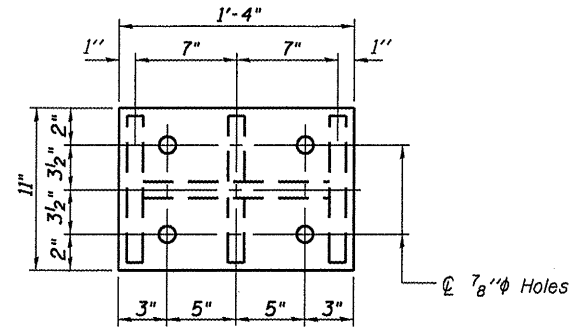
Note:
 Shim plates shall not be placed under Bearing Assembly.



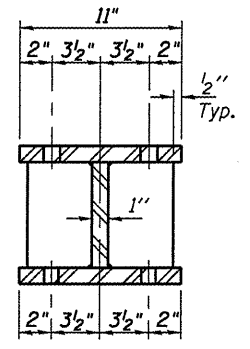
SIDE RETAINER
 Equivalent rolled angle with stiffeners will be allowed in lieu of welded plates.

BEAM REACTIONS

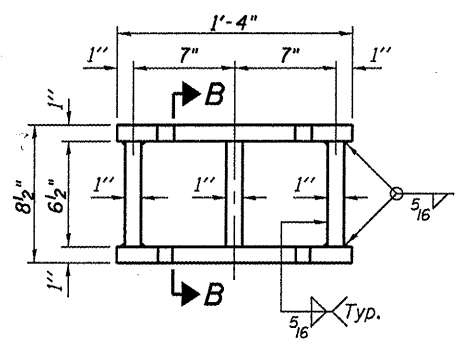
RP	(K)	41.2
RSP	(K)	16.6
RL	(K)	32.0
Imp.	(K)	7.0
R (Total)	(K)	96.80



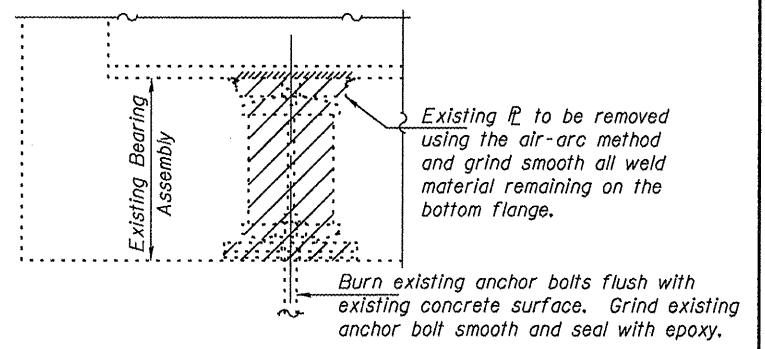
PLAN TOP AND BOTTOM PLATE



SECTION B-B



STEEL EXTENSION DETAIL



EXISTING BEARING REMOVAL DETAIL

Cost included with Jack and Remove Existing Bearings.

Notes:
 Diaphragm removal and reinstallation may be required to facilitate drilling holes. Cost included Jack and Remove Existing Bearings.
 New steel extensions, shim plates and connection bolts are included with Furnishing and Erecting Structural Steel.
 Prior to ordering any material, the Contractor shall verify in the field all bearing height and shim thickness dimensions. Min. jack capacity = 60 Tons.
 Anchor bolts shall be ASTM F1554 all-thread (or an Engineer-approved alternate material) of the grade(s) and diameter(s) specified. ASTM A307 Grade C anchor bolts may be used in lieu of ASTM F1554 Grade 36 (Fy=36ksi). The corresponding specified grade of AASHTO M314 anchor bolts may be used in lieu of ASTM F1554.
 Anchor bolts at fixed bearings may be either cast in place or installed in holes drilled after the supported member is in place.

Drilled and set anchor bolts shall be installed according to Article 521.06 of the Standard Specifications.
 Side retainers and other steel members required for the elastomeric bearing assembly shall be included in the cost of Elastomeric Bearing Assembly, Type I.

SHIM SCHEDULE								
	BEAM A	BEAM B	BEAM C	BEAM D	BEAM E	BEAM F	BEAM G	BEAM H
W. ABUT.	1/4"	3/8"	1/2"	1/2"	5/8"	1/2"	1/2"	1/2"
E. ABUT.	1/2"	1/2"	1/2"	3/4"	1/2"	1/2"	1/8"	1/8"

BILL OF MATERIAL

Item	Unit	Total
Elastomeric Bearing Assembly, Type I	Each	16
Jack and Remove Existing Bearings	Each	16
Furnishing and Erecting Structural Steel	Pound	2880
Anchor Bolts 1 1/4" phi	Each	32