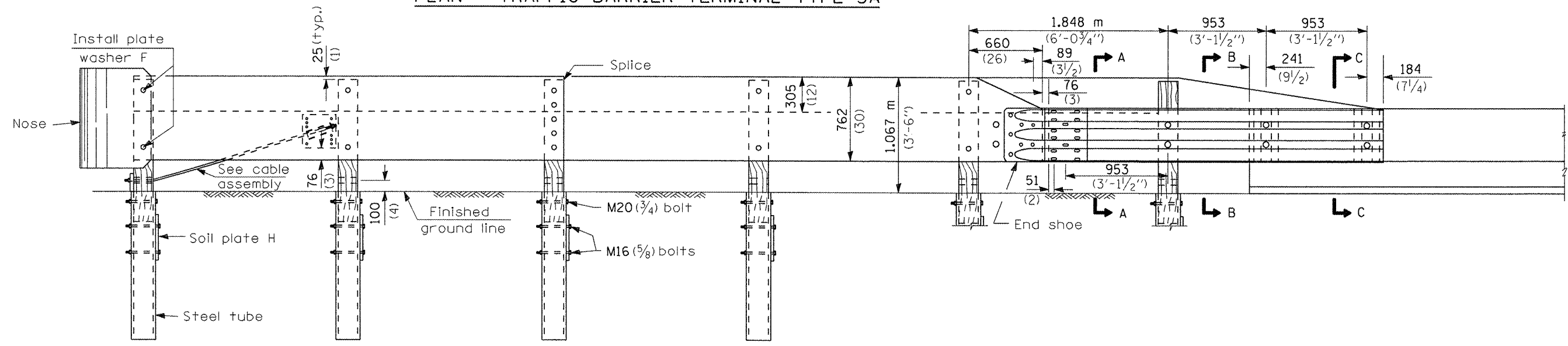
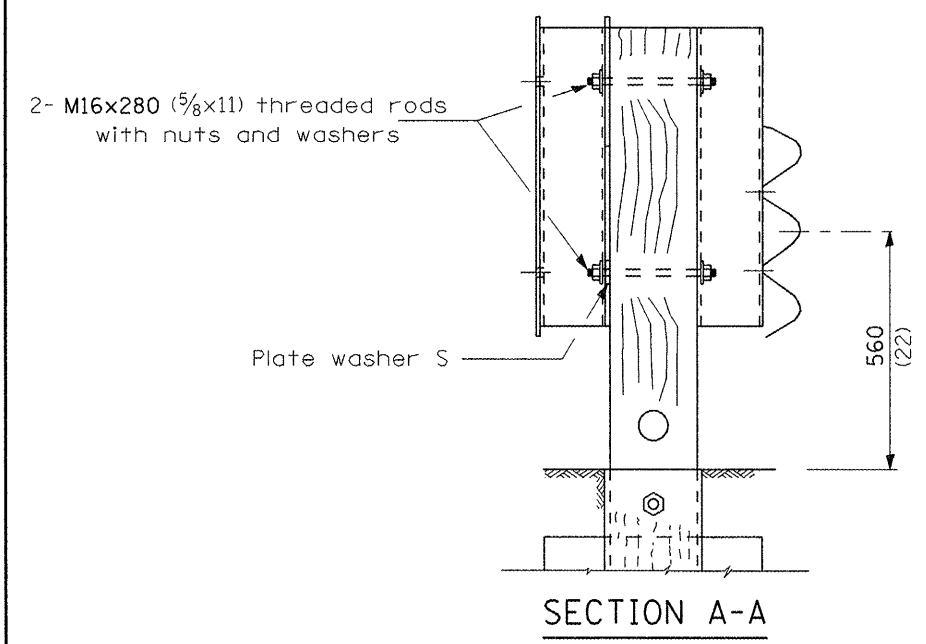


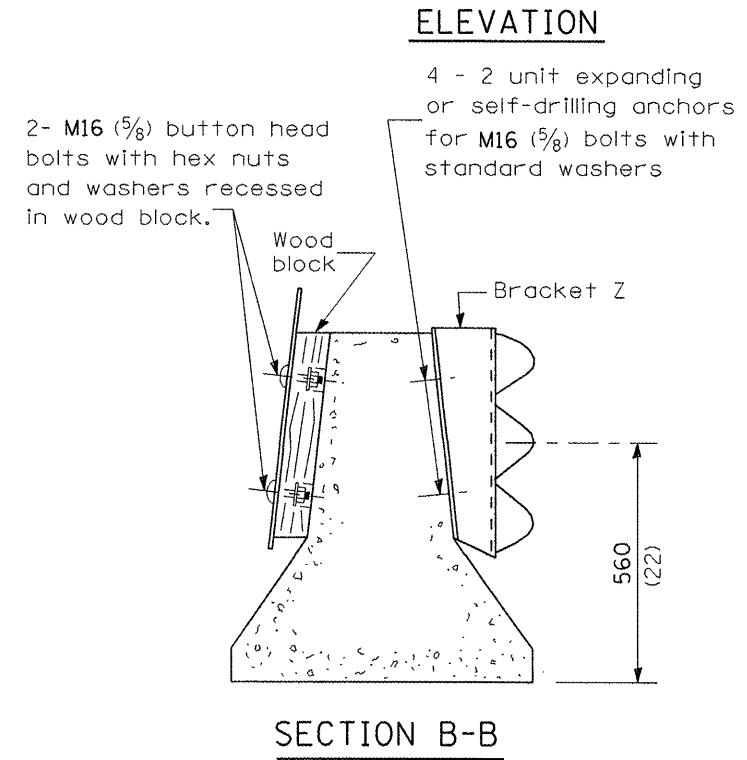
PLAN - TRAFFIC BARRIER TERMINAL TYPE 3A



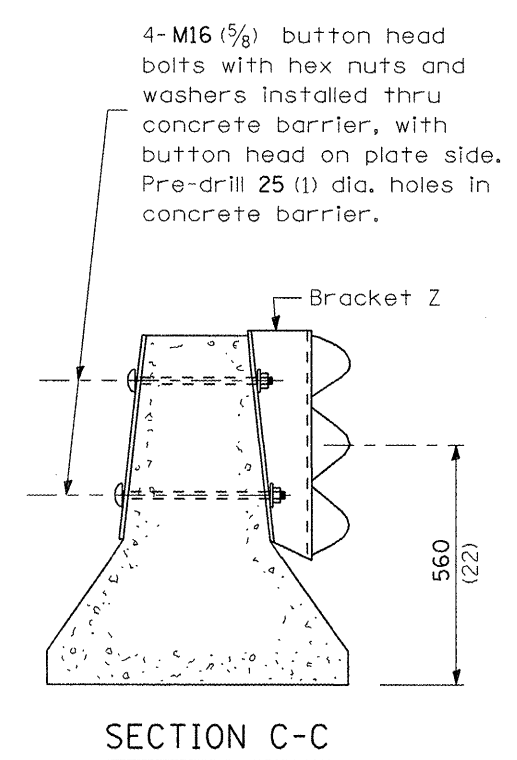
ELEVATION



SECTION A-A



SECTION B-B



SECTION C-C

DETAIL INCLUDED FOR REPAIR ONLY

All dimensions are in millimeters (inches) unless otherwise shown.

FILE NAME =		USER NAME = quigleyml		DESIGNED -		REVISED -		STATE OF ILLINOIS DEPARTMENT OF TRANSPORTATION		TRAFFIC BARRIER TERMINAL TYPE 3 & 3A				F.A. RTE.		SECTION		COUNTY		TOTAL SHEETS		SHEET NO.	
at:\pw_work\p\p\quigleyml\d0300564\03		SCIB-sht-details.dgn		DRAWN -		REVISED -								VAR.		VAR.		VAR.		37		13	
PLOT SCALE = 100.0000 / in.		CHECKED -		REVISED -		REVISED -								CONTRACT NO. 66C18		FED. ROAD DIST. NO.		ILLINOIS FED. AID PROJECT					
PLOT DATE = 3/26/2012		DATE -		REVISED -		REVISED -								SCALE:		SHEET NO. OF SHEETS STA.		TO STA.					

D-3 HIGHWAY DAMAGE REPAIR 2013