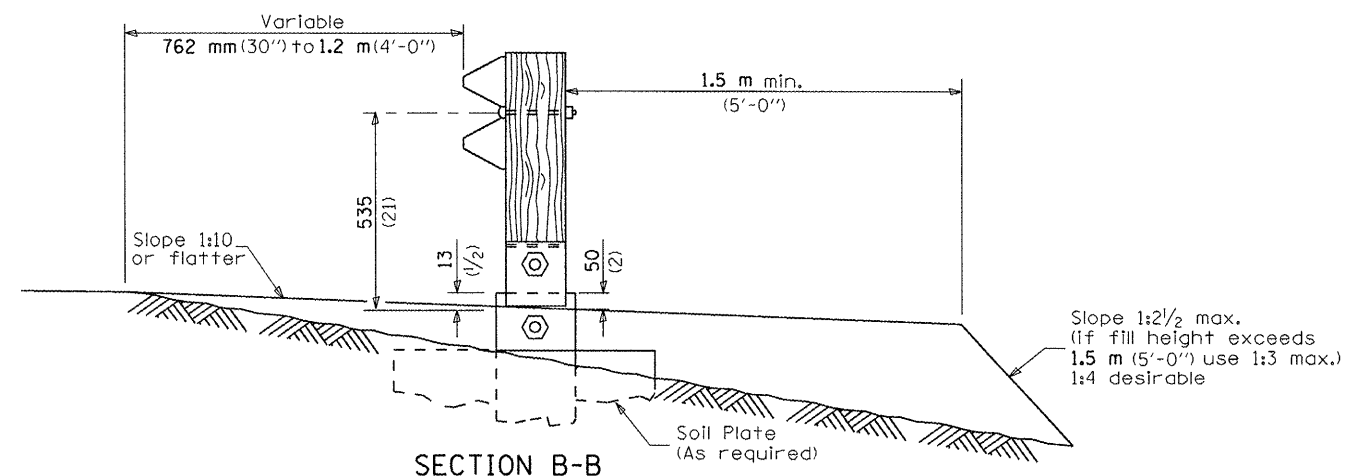


**SHOULDER WIDENING TRANSITION
FOR FLARED TERMINAL**



SECTION B-B
(End section omitted for clarity.)

FILE NAME =	USER NAME = quigleyml	DESIGNED -	REVISED -
cr:\pw\work\p\idot\quigleyml\d0300564\036	SC18-sh1-detail.sxdgn	DRAWN -	REVISED -
	PLOT SCALE = 100.0000 / in.	CHECKED -	REVISED -
	PLOT DATE = 3/26/2012	DATE -	REVISED -

**STATE OF ILLINOIS
DEPARTMENT OF TRANSPORTATION**

**PRE-MGS EFFECTIVE 4-1-06
SHOULDER WIDENING FOR TYPE 1 (SPECIAL) GUARDRAIL TERMINALS
STANDARD 630301-03**
(Sheet 2 of 2)

F.A. RTE.	SECTION	COUNTY	TOTAL SHEETS	SHEET NO.
VAR.	*	VAR.	37	24
CONTRACT NO. 66C18				
FED. ROAD DIST. NO.	ILLINOIS FED. AID PROJECT			

• D-3 HIGHWAY DAMAGE REPAIR 2013