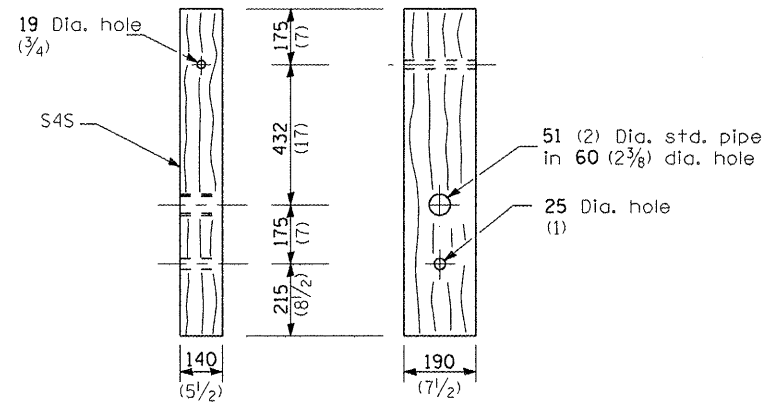
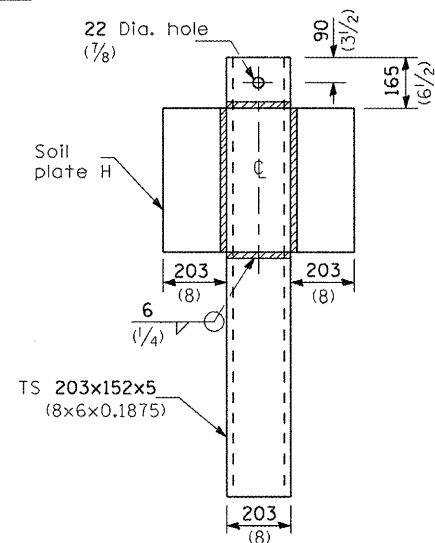


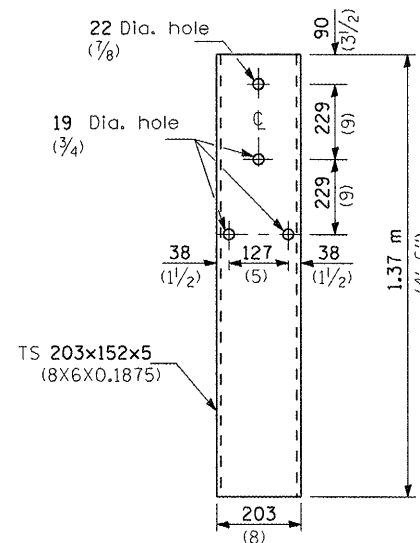
**BEARING PLATE K**



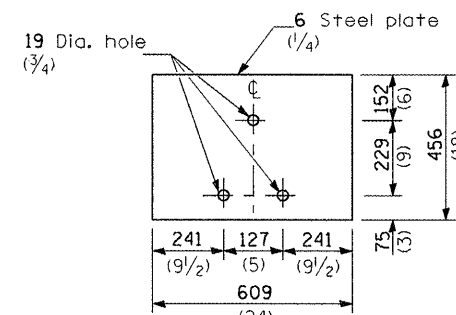
**WOOD POST**



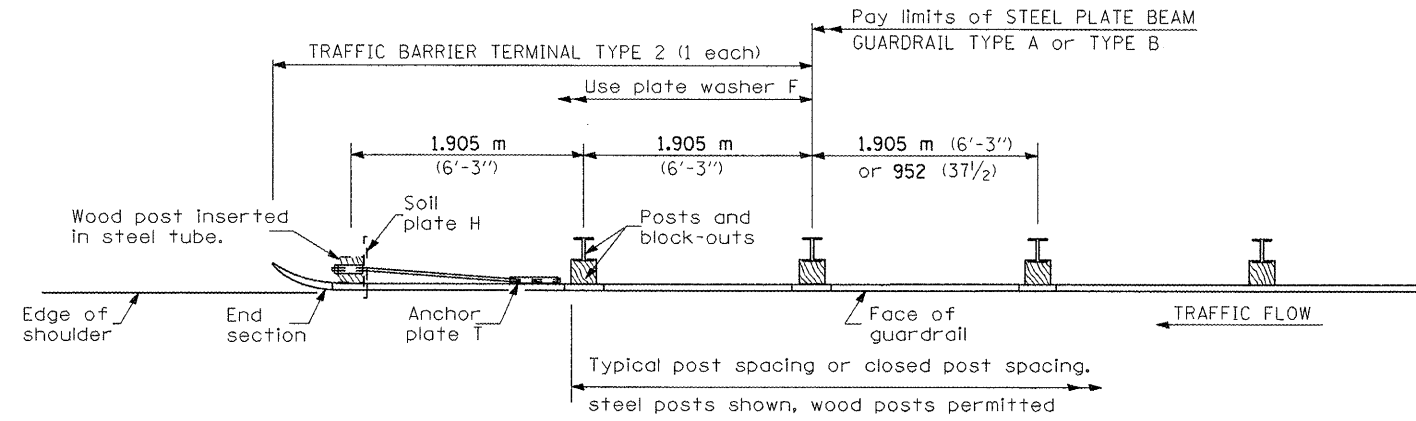
**ALTERNATE SOIL PLATE CONNECTION**



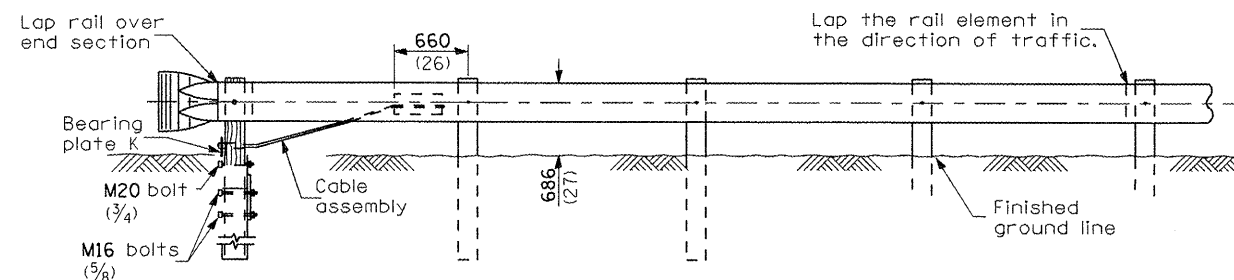
**STEEL TUBE**



**SOIL PLATE H**



**PLAN**



**ELEVATION**

**GENERAL NOTES**

See Standard 630001 for details of guardrail not shown.

Use plate washer F at all posts.

The bearing plate K shall be held in position by (2) two eight penny nails driven into the post and bent over the top of the plate.

All dimensions are in millimeters (inches) unless otherwise shown.

FILE NAME =	USER NAME = quigleyml	DESIGNED -	REVISED -	<b>STATE OF ILLINOIS DEPARTMENT OF TRANSPORTATION</b>	<b>PRE-MGS EFFECTIVE 4-1-06 TRAFFIC BARRIER TERMINAL TYPE 2 STANDARD 631011-02</b>	F.A. RTE.	SECTION	COUNTY	TOTAL SHEETS	SHEET NO.	
as:\pw\work\p\dos\quigleyml\d0300564\036C18-sht-details.dgn	SC18-sht-details.dgn	DRAWN -	REVISED -			VAR.	*	VAR.	37	25	
PLOT SCALE = 100.0000 ' / in.		CHECKED -	REVISED -			CONTRACT NO. 66C18					
PLOT DATE = 3/26/2012		DATE -	REVISED -			SCALE:	SHEET NO. OF SHEETS	STA. TO STA.	FED. ROAD DIST. NO.	ILLINOIS FED. AID PROJECT	