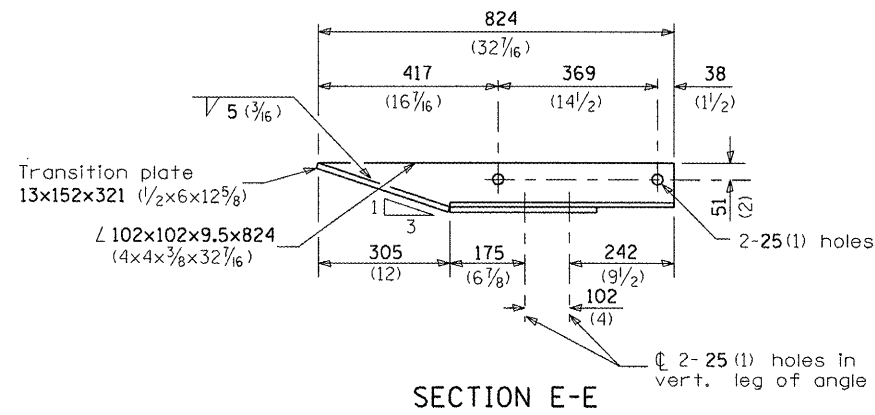
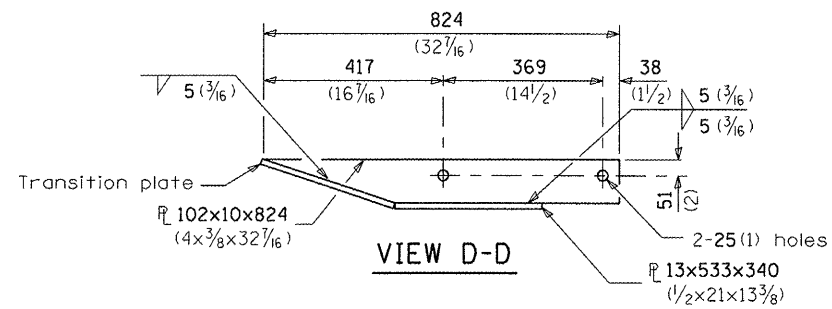


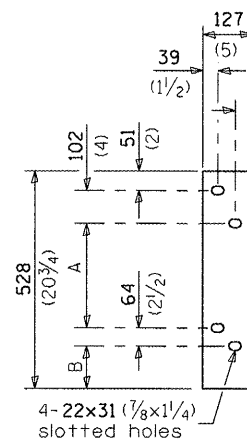
GUARDRAIL CONNECTION PLATE ASSEMBLY DETAILS
(Mirror for opposite end)



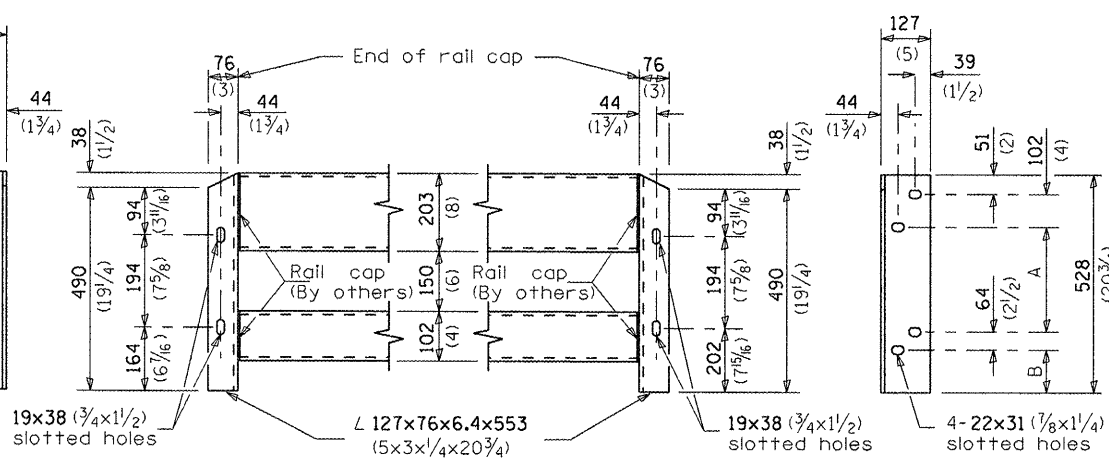
- 4-25 (1) holes for 22 (7/8) H.S. bolts and nuts
- ⊗ Drill and tap 3 holes for 22 (7/8) H.S. bolts.

LEGEND

Dimensions	A	B
For Curb Mounted Rail	222 (8 3/4)	89 (3 1/2)
For Side Mounted Rail	247 (9 3/4)	64 (2 1/2)

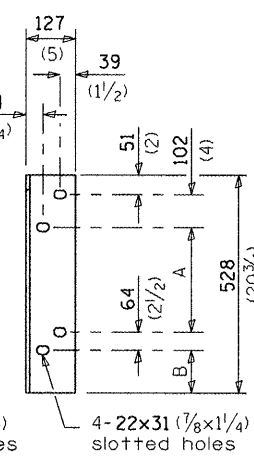


DEPARTURE END VIEW



CONNECTION ANGLES

(Install angles to rail caps using 19 (5/8) washers and self-locking nuts or nuts and jam nuts, to be provided by others)



APPROACH END VIEW

FILE NAME =
c:\pwork\pwork\quigley\m\0300564\0300564.dwg

USER NAME = quigleyml
BC18-shr-details.dgn
PLOT SCALE = 100.0000 ' / in.
PLOT DATE = 3/26/2012

DESIGNED -
DRAWN -
CHECKED -
DATE -

REVISED -
REVISED -
REVISED -
REVISED -

**STATE OF ILLINOIS
DEPARTMENT OF TRANSPORTATION**

**PRE-MGS EFFECTIVE 4-1-06
TRAFFIC BARRIER TERMINAL, TYPE 6A
STANDARD 631032-02**

Sheet 3 of 3

SCALE: SHEET NO. OF SHEETS STA. TO STA.

F.A. RTE.	SECTION	COUNTY	TOTAL SHEETS	SHEET NO.
VAR.	.	VAR.	37	32
CONTRACT NO. 66C18				
FED. ROAD DIST. NO. ILLINOIS FED. AID PROJECT				

• D-3 HIGHWAY DAMAGE REPAIR 2013