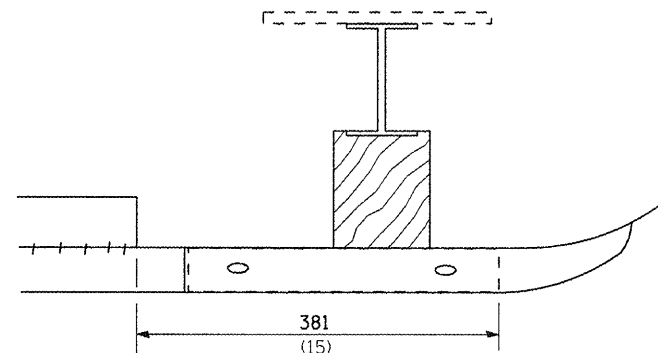
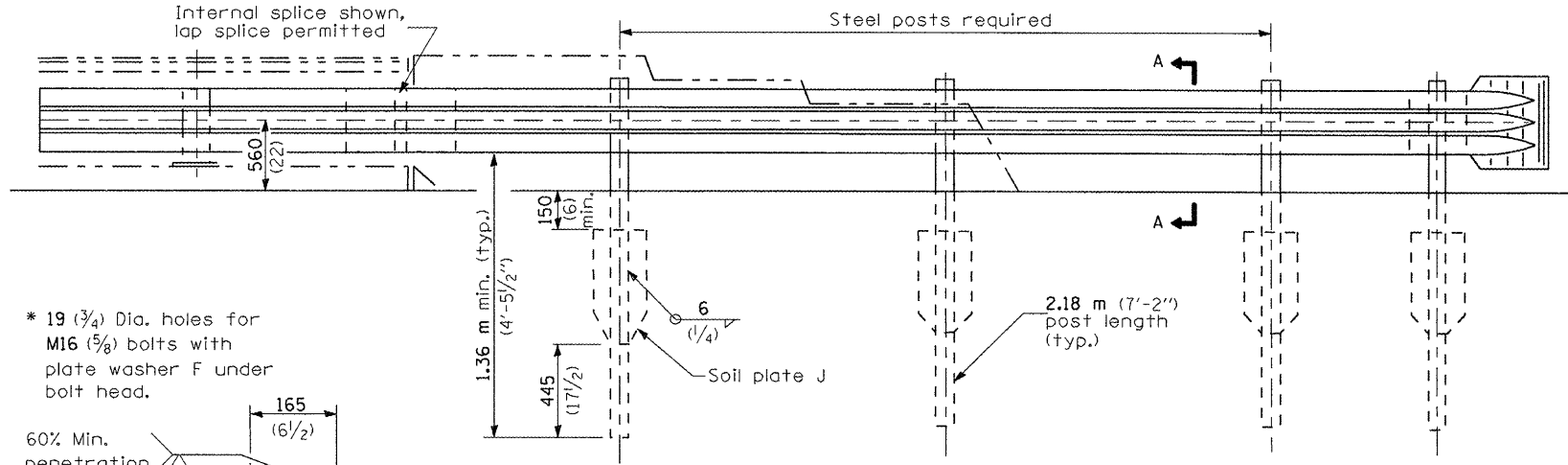


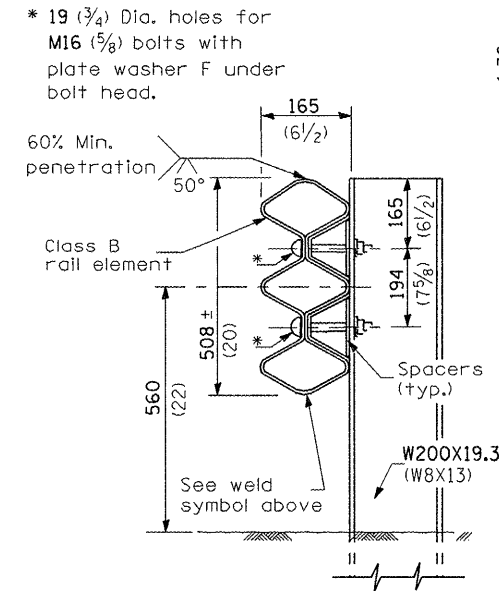
PLAN
(Bridge with expansion joint shown)



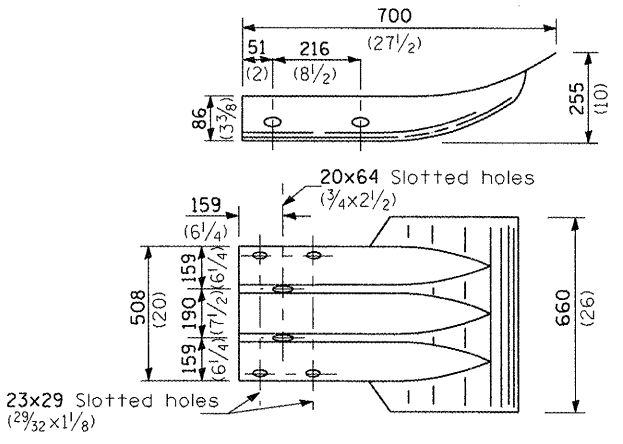
DETAIL A



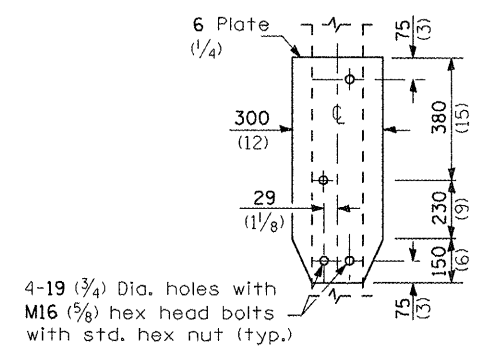
ELEVATION



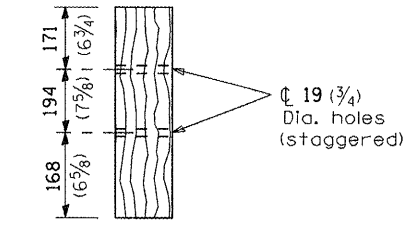
SECTION A-A



THRIE BEAM FLARED END SECTION



SOIL PLATE J & ALTERNATE CONNECTION DETAILS



DETAIL of BLOCK-OUT
(1 each)

GENERAL NOTES

See Standard 509001 and 630001 for details of guardrail elements not shown.
The type 12 terminal shall be installed after the posts for the bridge retrofit rail have been located as shown on Standard 509001.

All dimensions are in millimeters (inches) unless otherwise shown.

FILE NAME =	USER NAME = quigleyml	DESIGNED -	REVISED -	STATE OF ILLINOIS DEPARTMENT OF TRANSPORTATION	PRE-MGS EFFECTIVE 4-1-06 TRAFFIC BARRIER TERMINAL TYPE 12 STANDARD 631056-01	F.A. RTE.	SECTION	COUNTY	TOTAL SHEETS	SHEET NO.	
ca:\pwork\pwork\quigleyml\d0300564\0300564-01.dgn	BC18-sh-t-details.dgn	DRAWN -	REVISED -			VAR.	*	VAR.	37	37	
PLOT SCALE = 100.0000 / in.		CHECKED -	REVISED -			CONTRACT NO. 66C18					
PLOT DATE = 3/26/2012		DATE -	REVISED -			SCALE:	SHEET NO.	OF	SHEETS	STA.	TO STA.