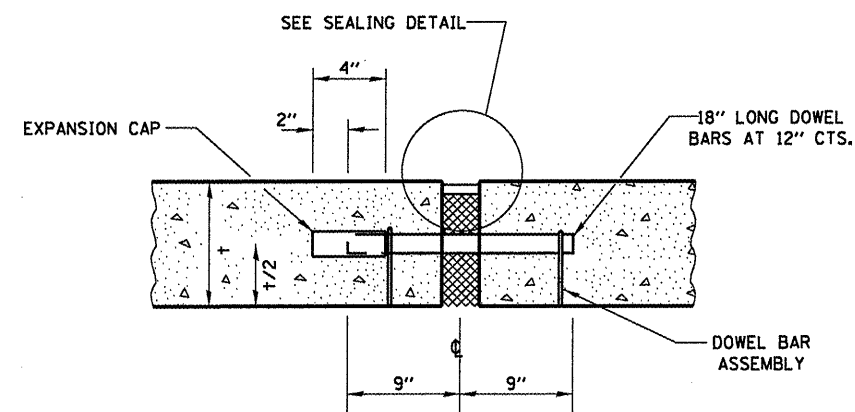
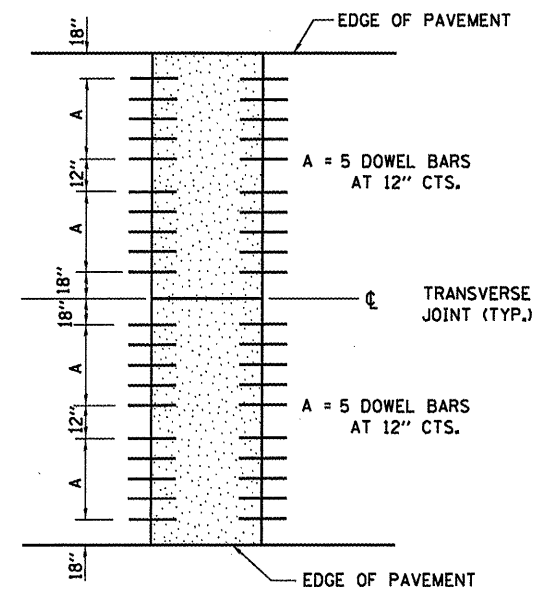


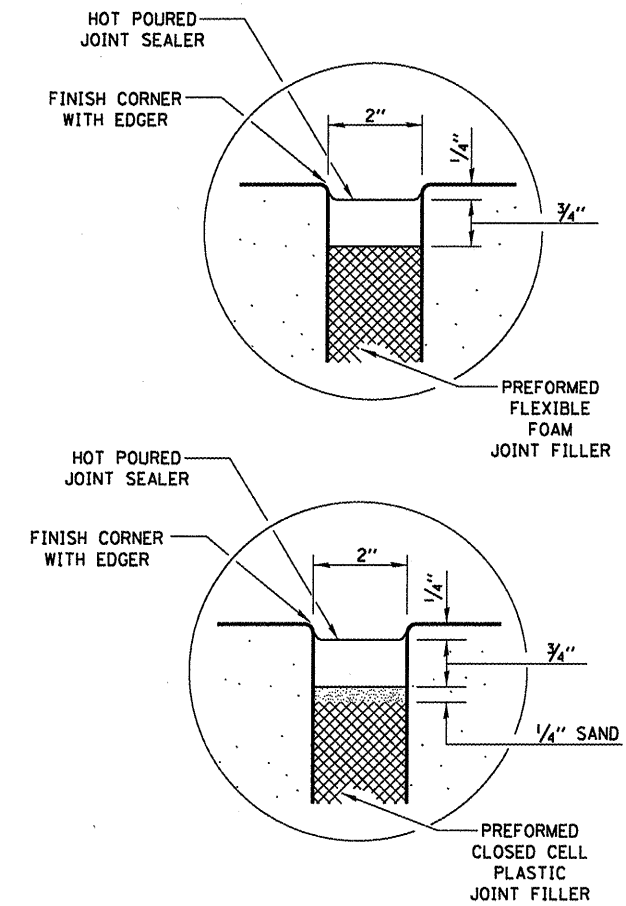
CLASS A PATCH, TYPE II 15" (SPECIAL)



TRANSVERSE EXPANSION JOINT



PLAN



SEALING DETAIL

FILE NAME =	USER NAME = corperterd	DESIGNED - RON WOODSHANK	REVISED -
c:\pwork\pwork\corperterd\0302024\0366C25-sht-details.dgn		DRAWN - RON WOODSHANK	REVISED -
PLOT SCALE = 100.0000' / 1"		CHECKED -	REVISED -
PLOT DATE = 4/5/2012		DATE -	REVISED -

STATE OF ILLINOIS
DEPARTMENT OF TRANSPORTATION

CLASS A PATCH, TYPE II 15" (SPECIAL)

SCALE: SHEET NO. OF SHEETS STA. TO STA.

F.A.I. RTE.	SECTION	COUNTY	TOTAL SHEETS	SHEET NO.
39	*	LASALLE	10	10
*03 PAVEMENT PATCHING 2013-1			CONTRACT NO. 66C25	
ILLINOIS				