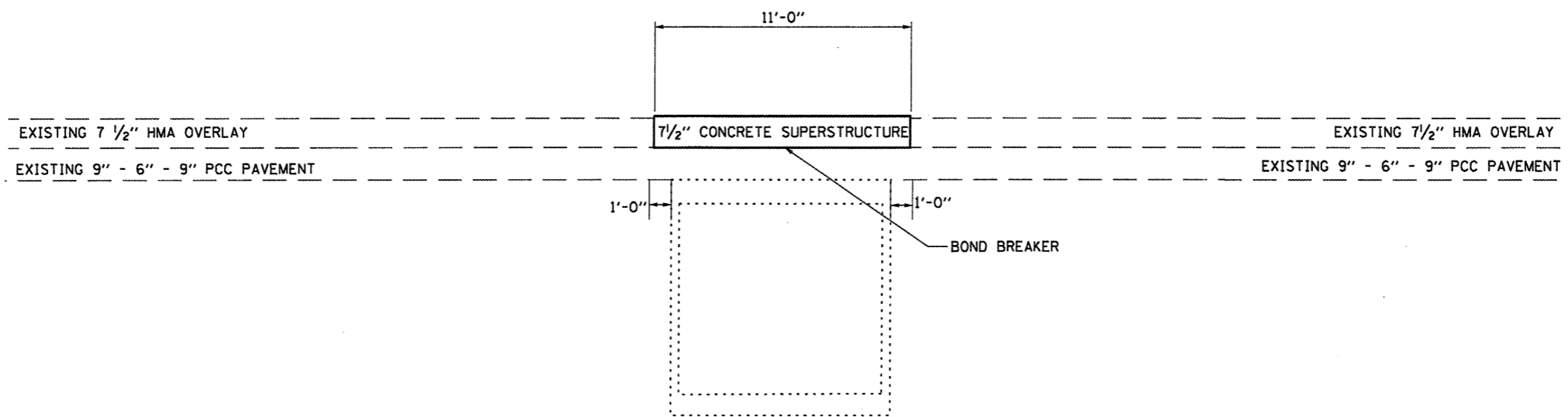


PLAN



SECTION A-A

FILE NAME =	USER NAME = petelyj	DESIGNED - RON WOODSHANK	REVISED -
c:\pwork\pwork\petelyj\0302370\0366	31-sht-ALL SHEETS.dgn	DRAWN - RON WOODSHANK	REVISED -
	PLOT SCALE = 100.0000 ' / in.	CHECKED -	REVISED -
	PLOT DATE = 4/5/2012	DATE -	REVISED -

**STATE OF ILLINOIS
DEPARTMENT OF TRANSPORTATION**

ROADWAY DETAILS

SCALE: SHEET 1 OF 1 SHEETS STA. TO STA.

F.A.P. RTE.	SECTION	COUNTY	TOTAL SHEETS	SHEET NO.
681	(113C)	LIVINGSTON	7	4
CONTRACT NO. 66C31				
ILLINOIS FED. AID PROJECT				