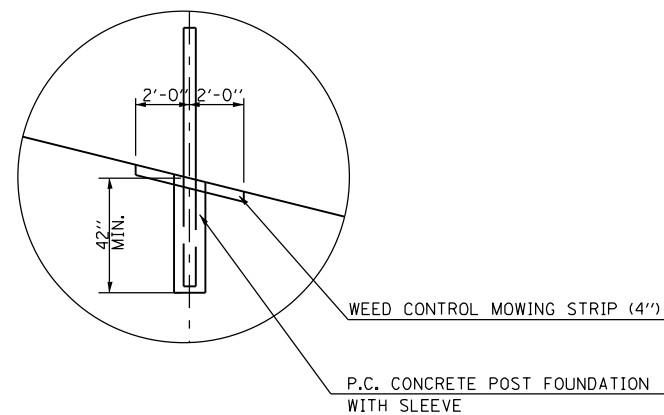


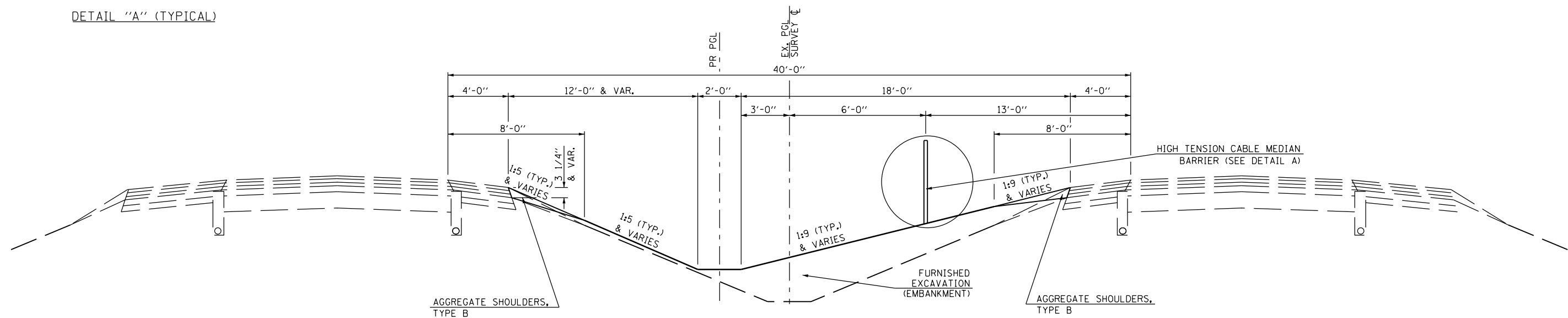
1 PROPOSED TYPICAL CROSS SECTION
F.A.I. ROUTE 74

- ② STA. 777+92.00 TO STA. 831+60.00
- ② STA. 844+95.00 TO STA. 856+50.00
- ② STA. 889+00.00 TO STA. 900+55.00
- ② STA. 978+12.00 TO STA. 1000+42.00
- ② STA. 1080+12.00 TO STA. 1106+65.00
- ② STA. 1119+05.00 TO STA. 1159+77.00

NOTE: POST AND ANCHORAGE FOR THE HIGH TENSION CABLE MEDIAN BARRIER, PER MANUFACTURERS SPECIFICATIONS.



DETAIL "A" (TYPICAL)



2 PROPOSED TYPICAL CROSS SECTION
F.A.I. ROUTE 74

- ① STA. 762+45.00 TO STA. 777+80.00
- ① STA. 832+73.00 TO STA. 844+81.00
- ① STA. 859+50.00 TO STA. 887+75.00
- ① STA. 902+10.00 TO STA. 977+96.00
- ① STA. 1001+70.00 TO STA. 1052+52.00
- ② STA. 1053+77.00 TO STA. 1079+98.00
- ① STA. 1108+15.00 TO STA. 1118+95.00

•CHAMPAIGN & VERMILION

McDonough-Whitlow, P.C.
Consulting Engineers & Land Surveyors
138 East Wood Street
Hillsboro, IL 62049
Phone: 217.532.9233
Fax: 217.532.6300
PROFESSIONAL DESIGN No. 184-002754

FILE NAME = D570967-xxx-xxx-TYPICAL.dgn	USER NAME = JLM	DESIGNED JAH	REVISED -
		DRAWN JLM	REVISED -
		CHECKED TMM	REVISED -
		DATE	REVISED -

STATE OF ILLINOIS
DEPARTMENT OF TRANSPORTATION

PROPOSED TYPICAL SECTIONS

SCALE: NONE SHEET NO. 2 OF 2 SHEETS STA. _____ TO STA. _____

F.A.I. RTE.	SECTION	COUNTY	TOTAL SHEETS	SHEET NO.
74	MEDIAN CABLE 2012-1		130	6
CONTRACT NO. 70966				
ILLINOIS FED. AID PROJECT				