

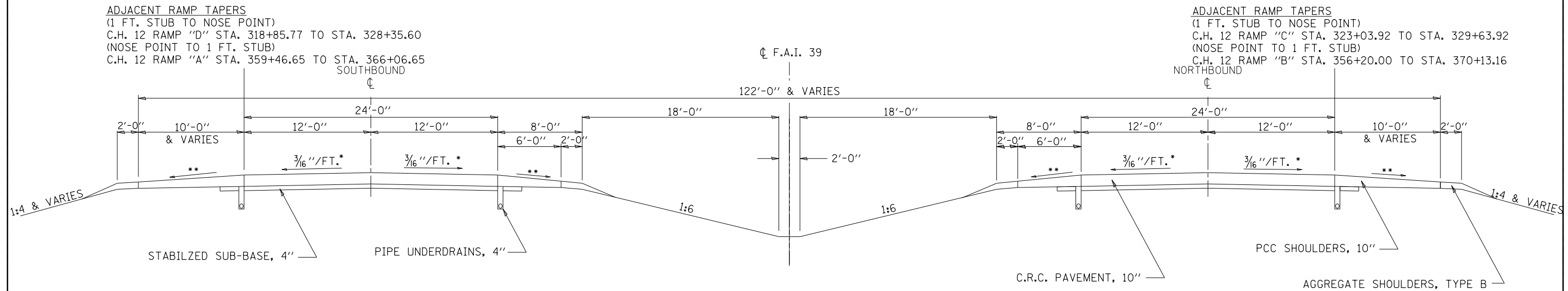
EXISTING TYPICAL SECTION F.A.I. 39

STA. 235 + 00.00 TO STA. 377 + 24.54

STATION EQUATION

STA. 377 + 24.54 (BK.) =

STA. 377 + 00.00 (AH.)



- * SLOPE VARIES FOR SUPERELEVATION IN CURVES
- ** SLOPE VARIES IN SUPERELEVATION WITH MAXIMUM OF 0.08 FT/FT DIFFERENCE

FILE NAME =	USER NAME = bergenej	DESIGNED -	AJB	REVISED -	_____
et:\pwork\pwork\bergenej\0302063\0570973-shr-typical.dgn		DRAWN -	AJB	REVISED -	_____
	PLOT SCALE = 40.0000' / in.	CHECKED -	_____	REVISED -	_____
	PLOT DATE = 3/22/2012	DATE -	3/12/2012	REVISED -	_____

STATE OF ILLINOIS
DEPARTMENT OF TRANSPORTATION

EXISTING TYPICAL SECTION

SCALE: N/A SHEET NO. 4 OF 6 SHEETS STA. N/A TO STA. N/A

F.A.I. RTE.	SECTION	COUNTY	TOTAL SHEETS	SHEET NO.
39	D5 PATCHING 2013-1	MCLEAN	19	8
ILLINOIS FED. AID PROJECT			CONTRACT NO. 70973	