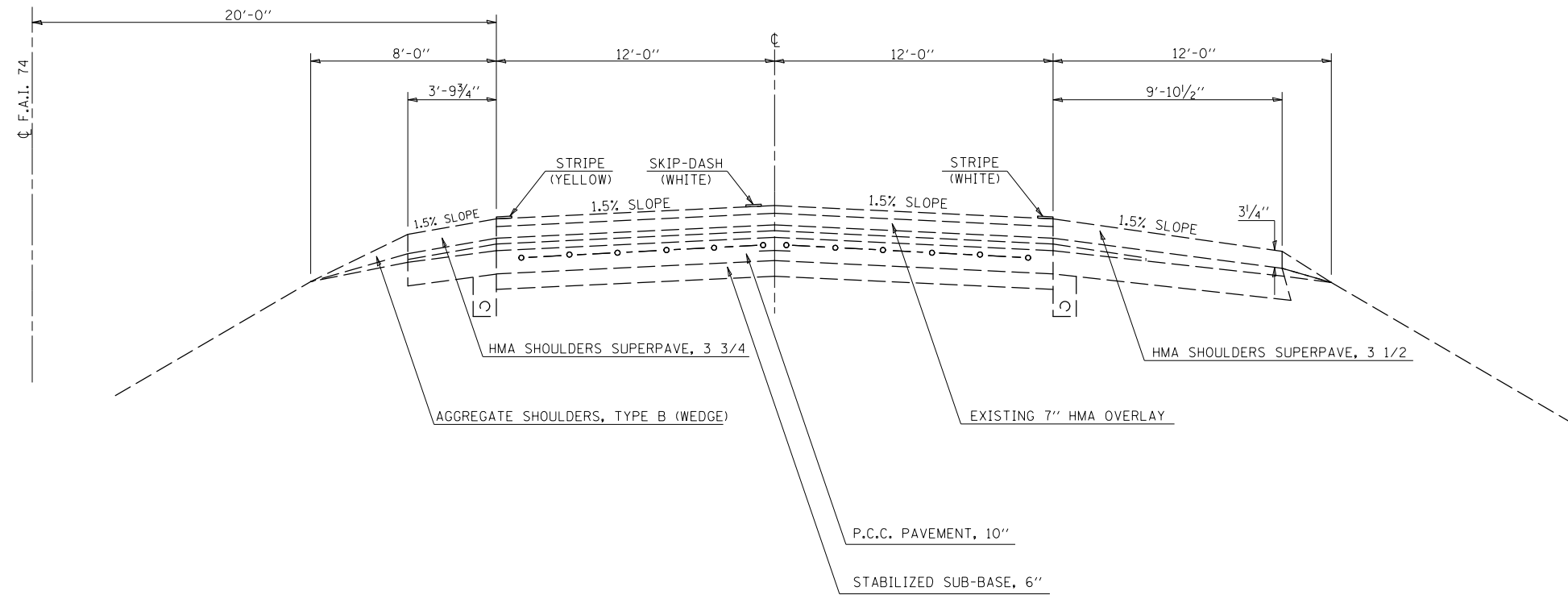


EXISTING TYPICAL SECTION

FAI 74

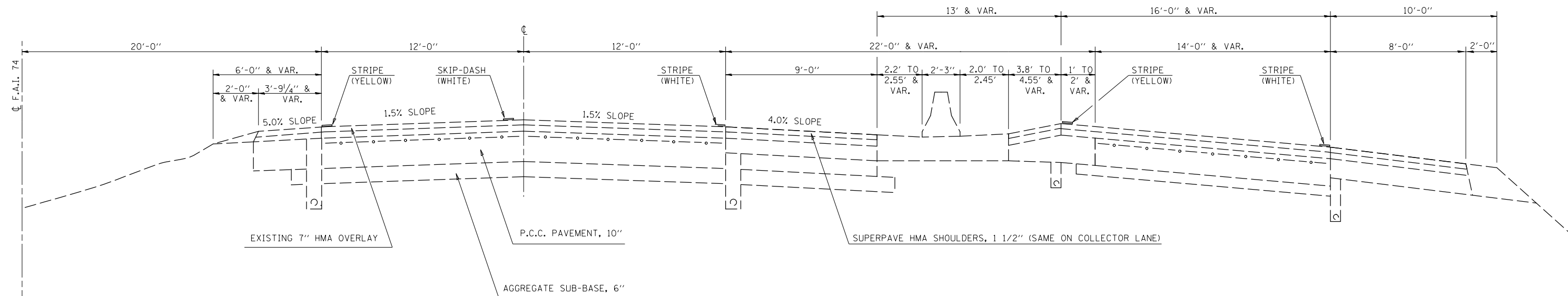
STATION 1720+00.00 TO STATION 1908+00.00



EXISTING TYPICAL SECTION WITH COLLECTOR LANE

FAI 74

STATION 1908+00.00 TO STATION 1951+50.00



FILE NAME =	USER NAME = dawsonkb	DESIGNED -	REVISED -
et:\pwork\pwork\pwork\dawsonkb\0302933\0570975-SHT-TYPICAL.dgn		DRAWN -	REVISED -
		CHECKED -	REVISED -
		DATE -	REVISED -

**STATE OF ILLINOIS
DEPARTMENT OF TRANSPORTATION**

EXISTING TYPICAL SECTIONS

SCALE: _____ SHEET _____ OF _____ SHEETS STA. _____ TO STA. _____

F.A.I. RTE.	SECTION	COUNTY	TOTAL SHEETS	SHEET NO.
••	D5 PATCHING 2013-3	•	14	9
••	CHAMPAIGN & VERMILION		CONTRACT NO. 70975	
••	57 & 74	ILLINOIS	FED. AID PROJECT	