

F.A. RTE.	SECTION	COUNTY	TOTAL SHEETS	SHEET NO.
75	84-12; 11-3	•	729	36
STA. N/A		TO STA. N/A		
FED. ROAD DIST. NO. 5 ILLINOIS FED. AID PROJECT				
• SANGAMON AND CHRISTIAN				

PROPOSED LEGEND

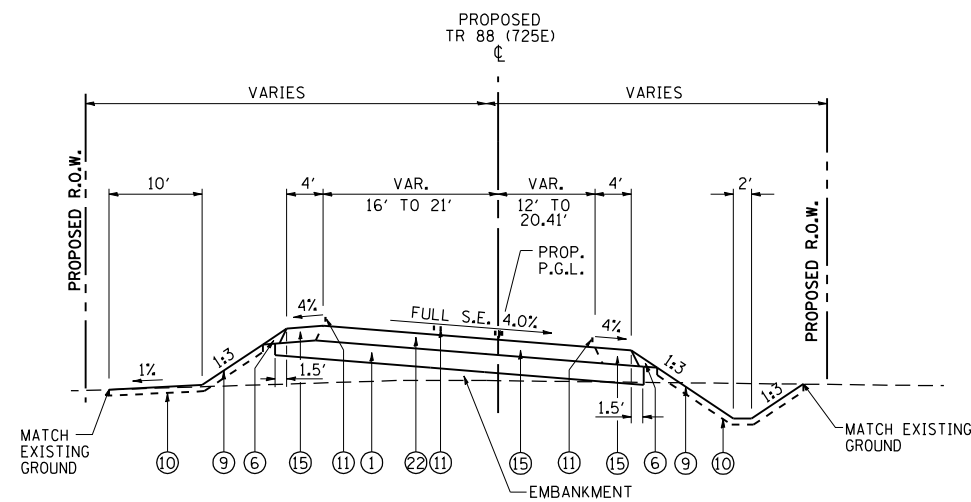
- ① PROP. PROCESSING MODIFIED SOILS 12"
- ③ PROP. BITUMINOUS MATERIALS (PRIME COAT)
- ⑤ PROP. HOT-MIX ASPHALT SHOULDERS, 8"
- ⑥ PROP. AGGREGATE WEDGE SHOULDER, TYPE B
- ⑨ PROP. SEEDING CLASS 2, WITH MULCH METHOD 2
- ⑩ PROP. TOPSOIL PLACEMENT, 4"
- ⑪ PROP. LANE STRIPING (SEE PAVEMENT MARKING PLAN)
- ⑫ PROP. AGGREGATE BASE COURSE, TYPE B, 10"
- ⑬ PROP. SUBBASE GRANULAR MATERIAL, TYPE A, 8"
- ⑮ PROP. HOT-MIX ASPHALT PAVEMENT (FULL-DEPTH), 9 1/2"
- ⑯ PROP. REMOVAL AND DISPOSAL OF UNSUITABLE MATERIAL
- ⑰ FOG TACK COAT AS REQUIRED PER ENGINEER (ART. 407.13)

EXISTING LEGEND

- ① EXISTING P.C.C. CONCRETE (9"-6"-9")
- ② EXISTING OIL AND CHIP/GRAVEL PAVEMENT (VARIES)

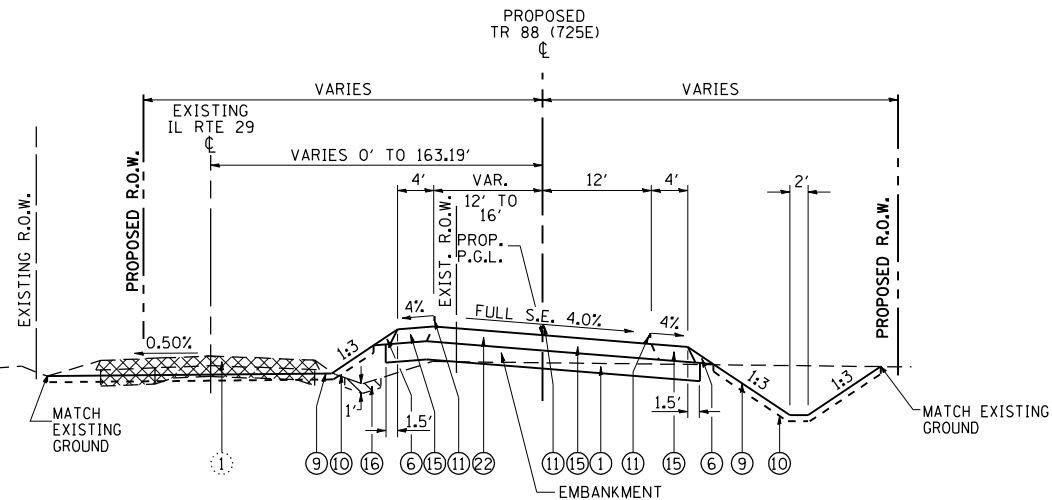
NOTE 1: NOT USED

NOTE 2: PAVEMENT WIDTH INCREASES AT RADIUS RETURNS. SEE PLAN AND PROFILE SHEETS FOR DETAILS.



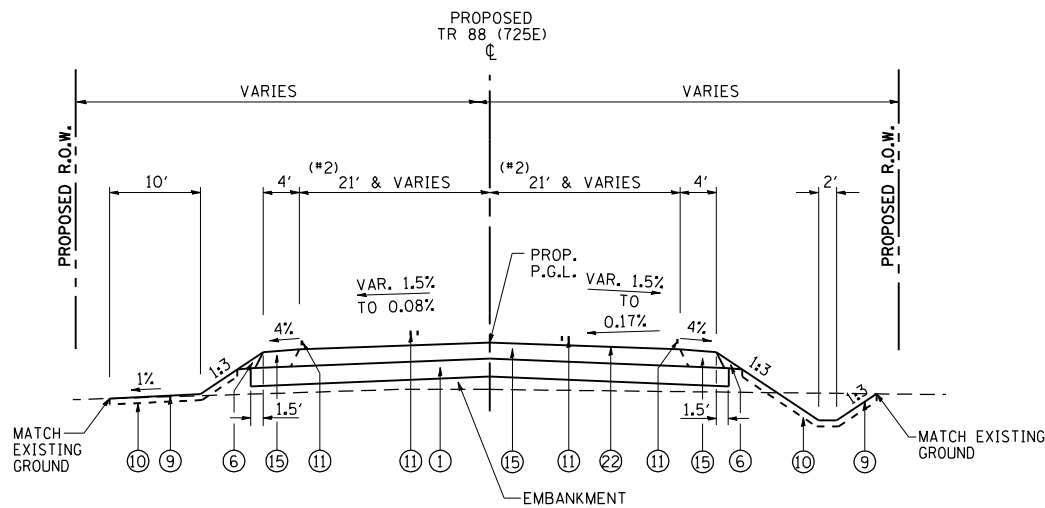
TYPICAL NO. 3

TR 88 (725E): STA. 590+30.07 TO STA. 594+60.31



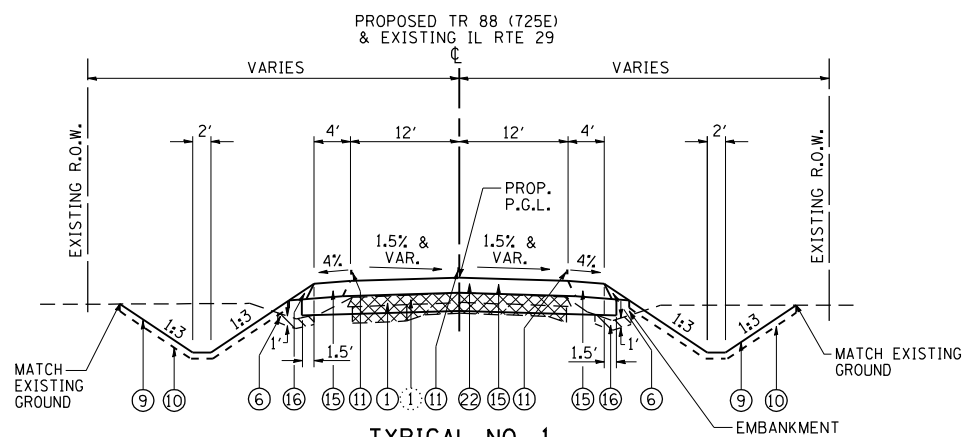
TYPICAL NO. 2

TR 88 (725E): STA. 586+10.18 (P.C.) TO STA. 590+30.07
S.E. ATTAINMENT - STA. 584+74.76 TO STA. 586+53.51



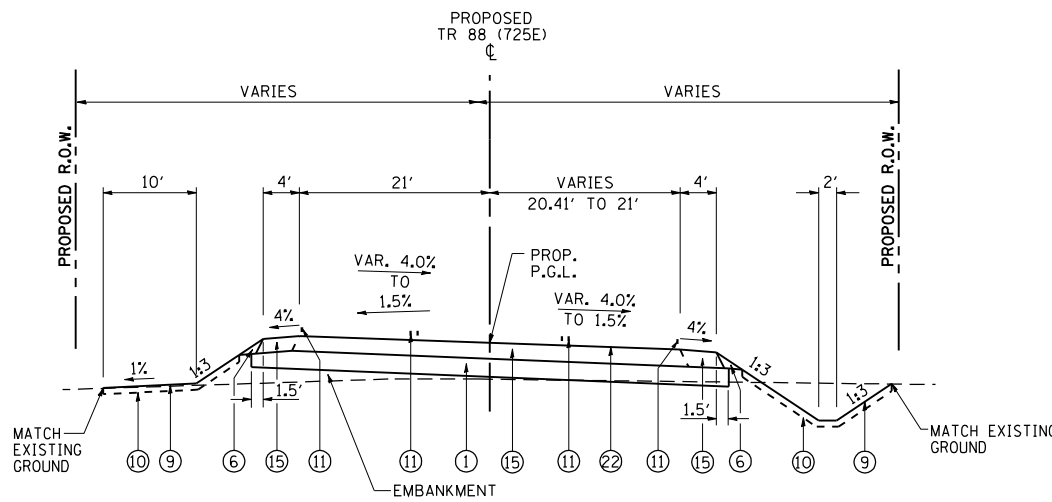
TYPICAL NO. 5

TR 88 (725E): STA. 596+39.06 TO STA. 599+39.00 (THRU E.O.P. IL. RTE. 29)



TYPICAL NO. 1

TR 88 (725E): STA. 584+74.00 TO STA. 586+10.18 (P.C.)



TYPICAL NO. 4

TR 88 (725E): STA. 594+60.31 TO STA. 596+39.06
S.E. ATTAINMENT - STA. 594+60.31 TO STA. 595+90.31

REVISIONS	
NAME	DATE

ILLINOIS DEPARTMENT OF TRANSPORTATION

**TYPICAL SECTIONS
TR 88 (725E)**

SCALE: NONE
DATE: 03/06/2012

DRAWN BY: B.J.D.
CHECKED BY: J.M.M.