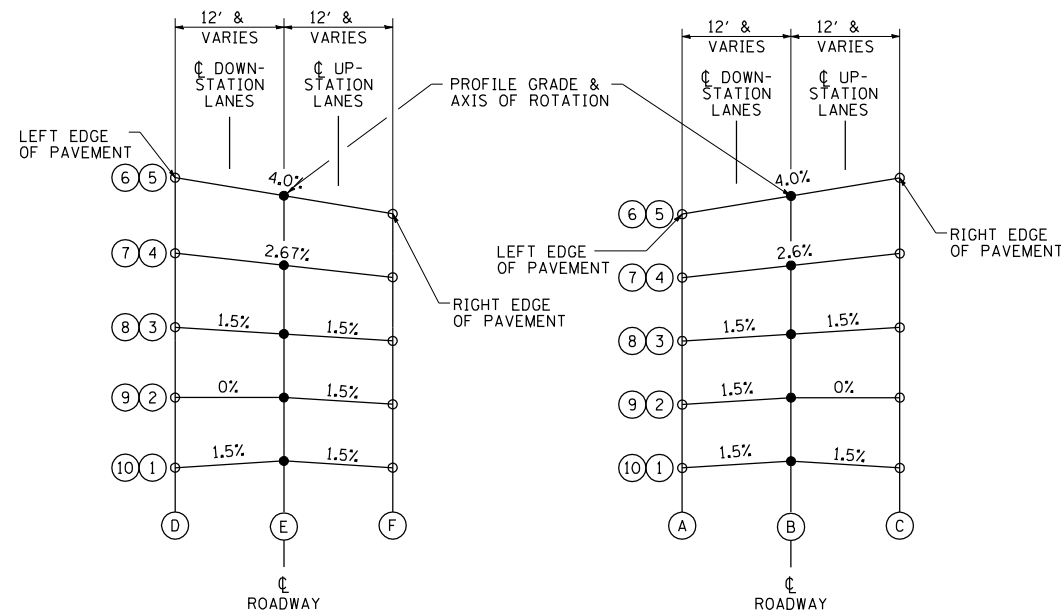
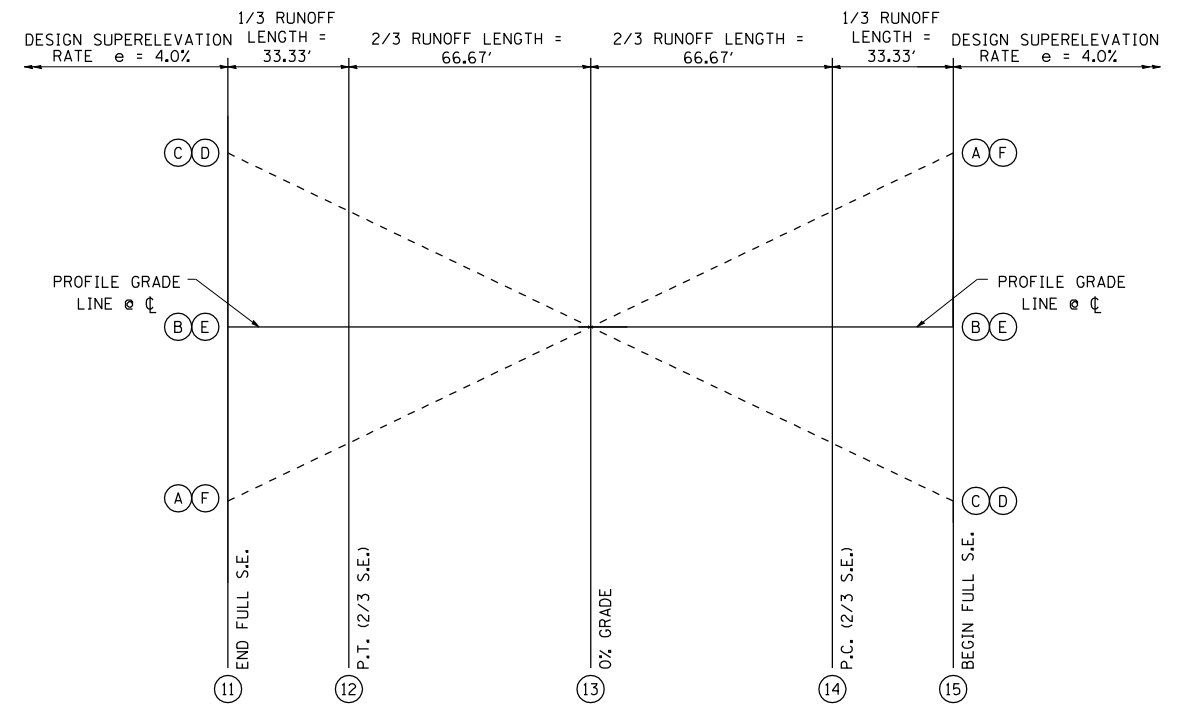
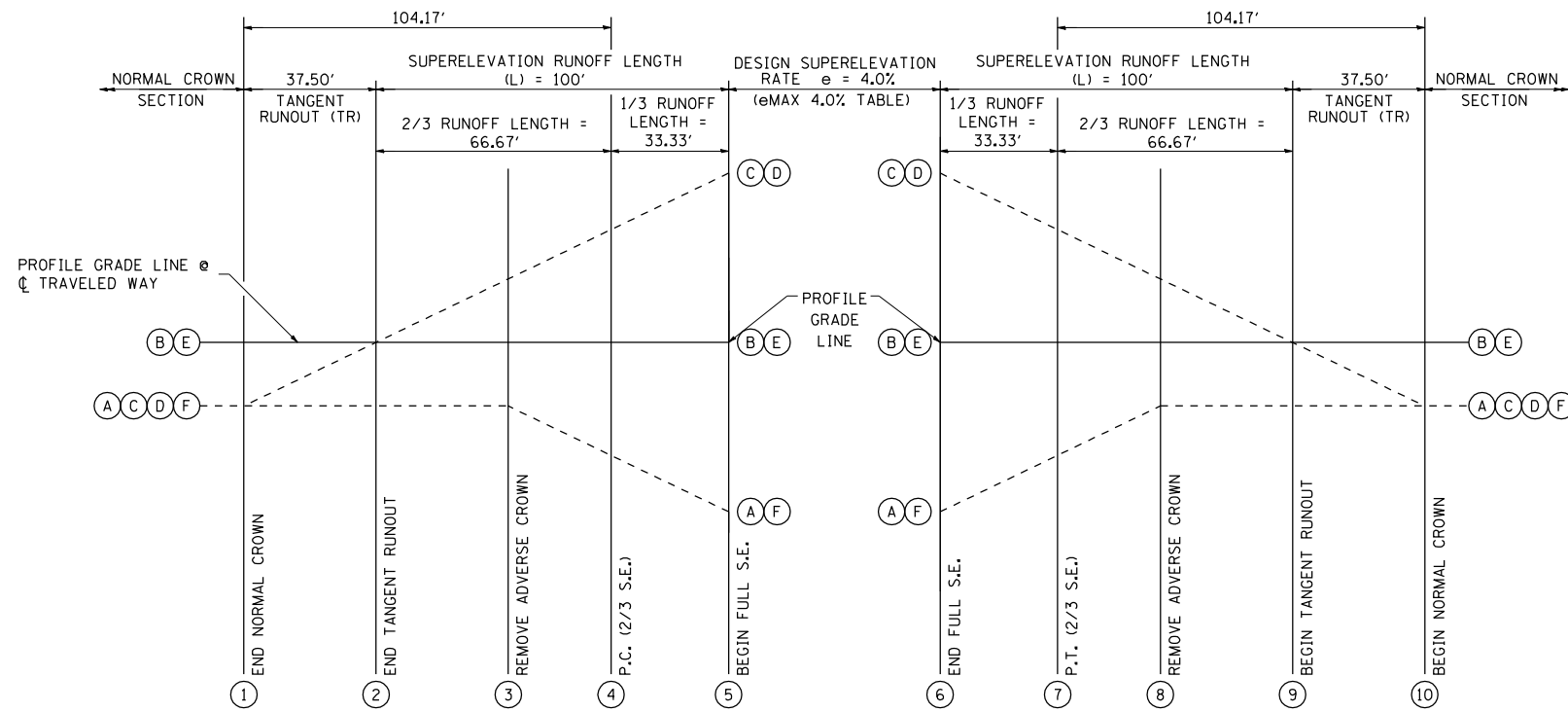


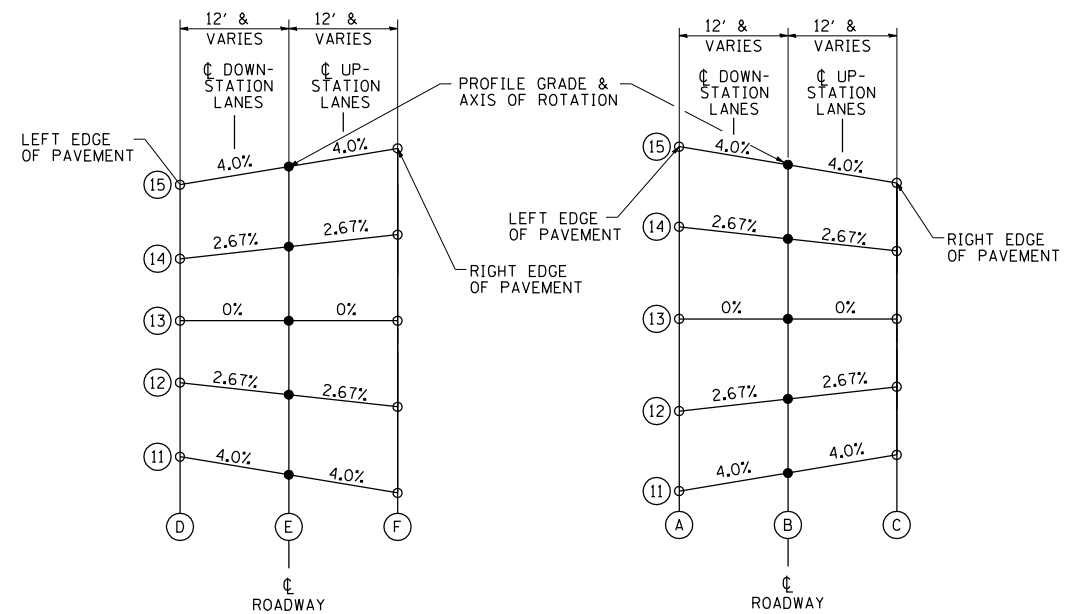
F.A. RTE.	SECTION	COUNTY	TOTAL SHEETS	SHEET NO.
75	84-12; 11-3	•	729	371
STA. N/A		TO STA. N/A		
FED. ROAD DIST. NO. 5 ILLINOIS FED. AID PROJECT				
• SANGAMON AND CHRISTIAN				

STANDARD TOWNSHIP ROAD CURVES



STANDARD CURVE RIGHT

STANDARD CURVE LEFT



STANDARD REVERSE CURVE

REVISIONS	
NAME	DATE

ILLINOIS DEPARTMENT OF TRANSPORTATION
**SUPERELEVATION TRANSITION
 DETAILS
 SIDE ROADS**

SCALE: NOT TO SCALE
 DATE: 03/06/2012
 DRAWN BY: J.M.M.
 CHECKED BY: J.M.M.

Default
 L:\DOT\030660\Draw\Sheets\672829-sht-SE_SDRDC3_001.dgn
 3/6/2012