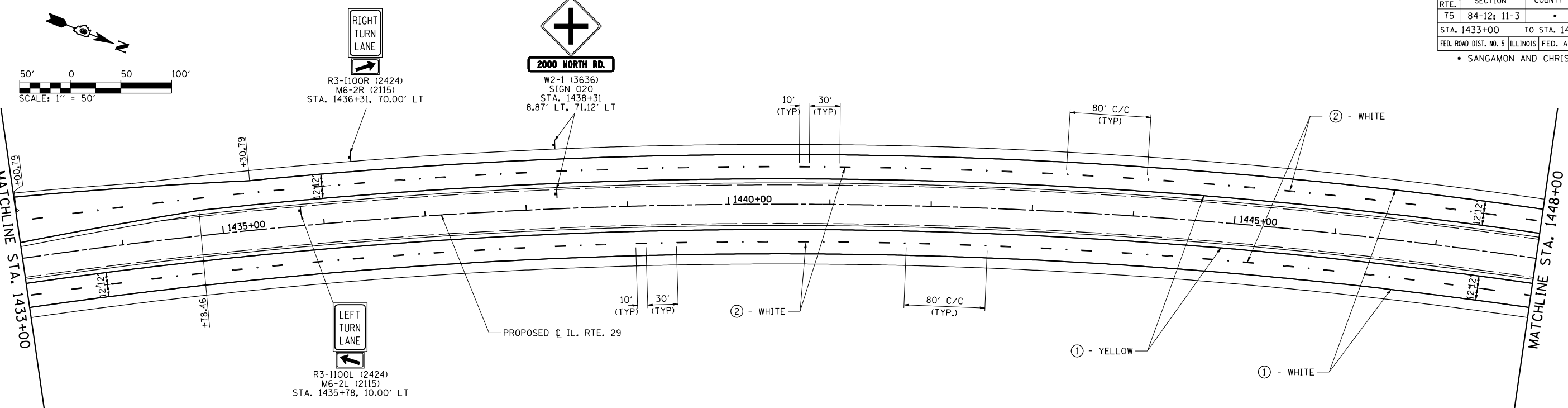
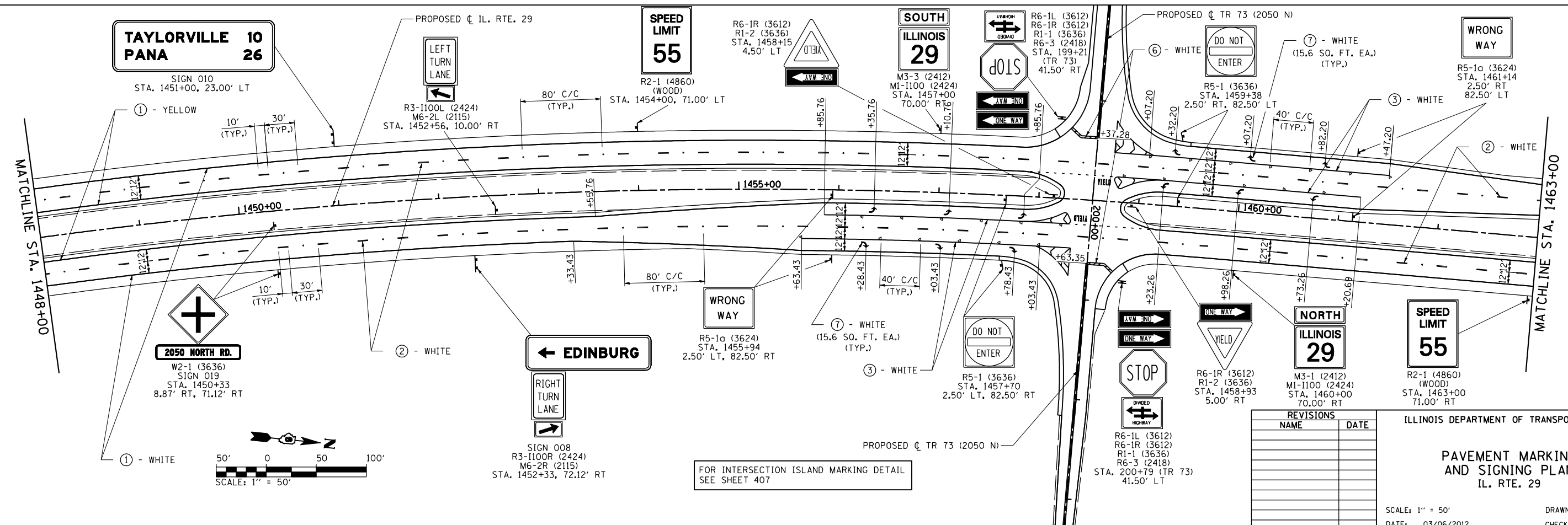


F.A.P. RTE.	SECTION	COUNTY	TOTAL SHEETS	SHEET NO.
75	84-12; 11-3		729	409
STA. 1433+00		TO STA. 1463+00		
FED. ROAD DIST. NO. 5 ILLINOIS FED. AID PROJECT				
• SANGAMON AND CHRISTIAN				



LEGEND

- ① GROOVED IN URETHANE PAVEMENT MARKING - LINE 5"
- ② PREFORMED PLASTIC PAVEMENT MARKING, TYPE B - INLAID - LINE 5"
- ③ PREFORMED PLASTIC PAVEMENT MARKING, TYPE B - INLAID - LINE 6"
- ④ PREFORMED PLASTIC PAVEMENT MARKING, TYPE B - INLAID - LINE 8"
- ⑤ PREFORMED PLASTIC PAVEMENT MARKING, TYPE B - INLAID - LINE 12"
- ⑥ PREFORMED PLASTIC PAVEMENT MARKING, TYPE B - INLAID - LINE 24"
- ⑦ PREFORMED PLASTIC PAVEMENT MARKING, TYPE B - INLAID - LETTERS & SYMBOLS
- ⑧ RAISED REFLECTIVE PAVEMENT MARKER (ONE-WAY CRYSTAL)
- ⑨ RAISED REFLECTIVE PAVEMENT MARKER (ONE-WAY AMBER)
- ⑩ RAISED REFLECTIVE PAVEMENT MARKER (TWO-WAY AMBER)
- ⑪ PROPOSED SIGN PANEL AND POST
- ⑫ EXISTING SIGN PANEL AND POST



REVISIONS	
NAME	DATE

ILLINOIS DEPARTMENT OF TRANSPORTATION
PAVEMENT MARKING AND SIGNING PLAN
 IL. RTE. 29
 SCALE: 1" = 50'
 DATE: 03/06/2012
 DRAWN BY: B.M.B.
 CHECKED BY: J.M.M.

Default
 L:\DOT\030601\Draw\Sheets\030601-PK_004.dgn
 3/6/2012