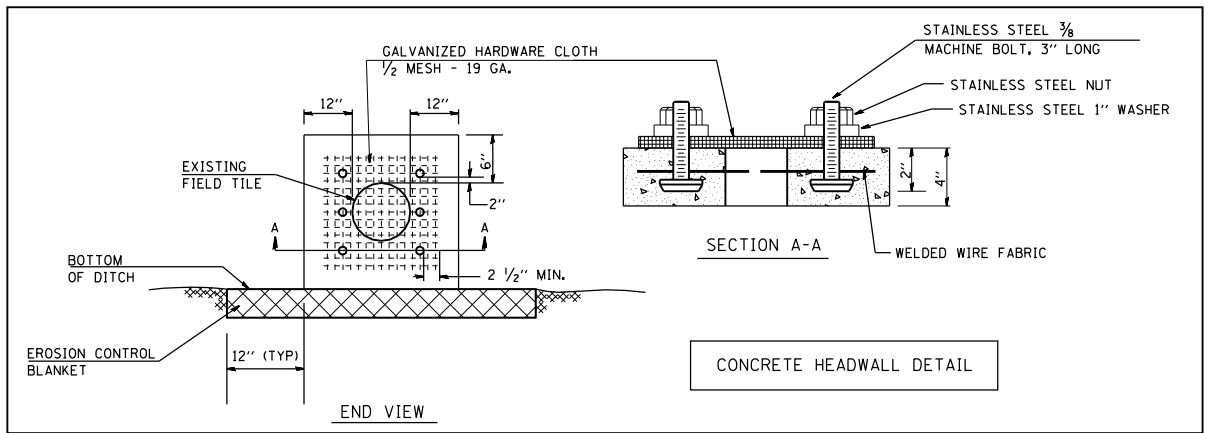
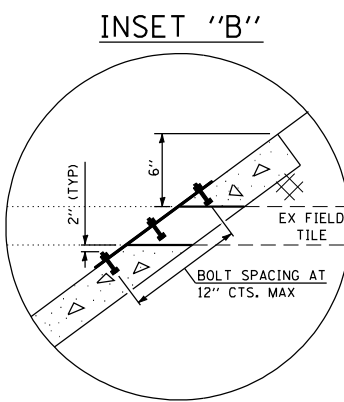
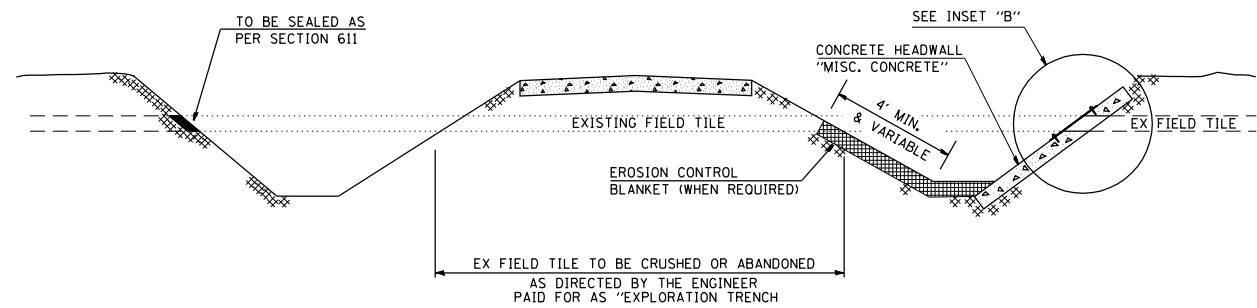
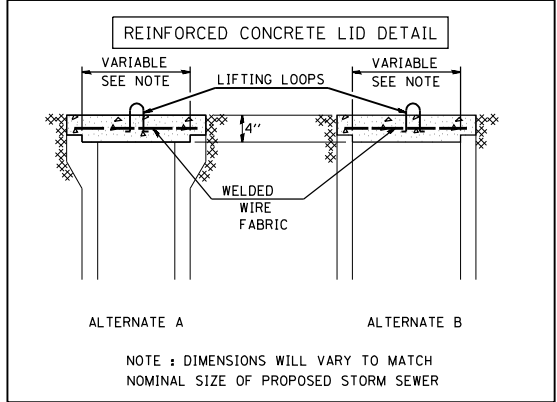
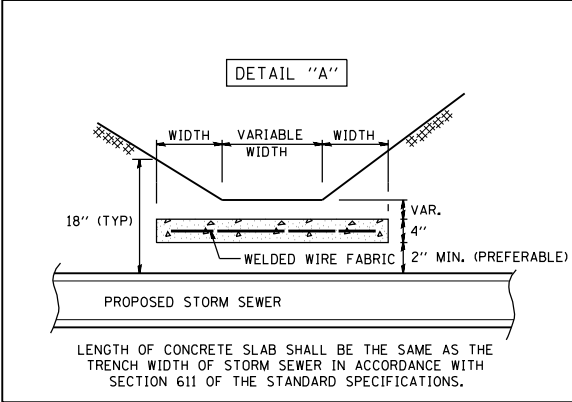
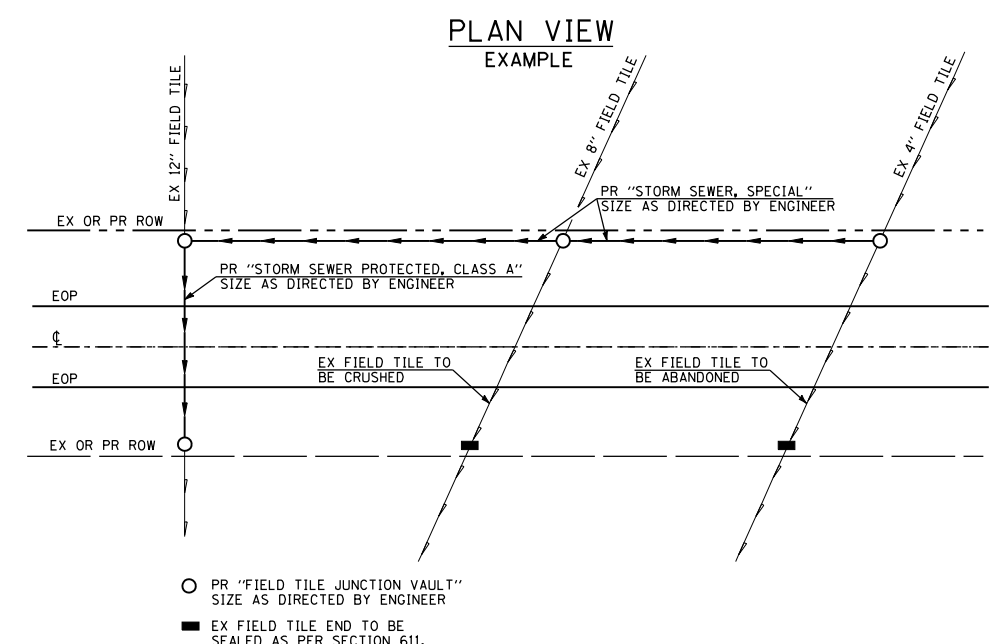
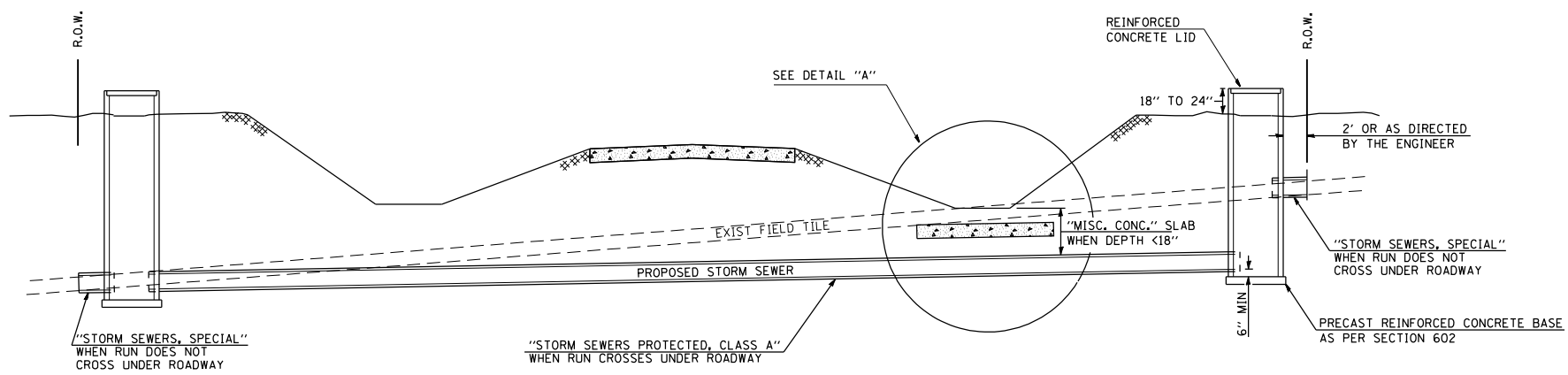


F.A. RTE.	SECTION	COUNTY	TOTAL SHEETS	SHEET NO.
75	84-12; 11-3	•	729	476
STA. N/A		TO STA. N/A		
FED. ROAD DIST. NO. 5 ILLINOIS FED. AID PROJECT				
• SANGAMON AND CHRISTIAN				



- GENERAL NOTES
1. FIELD TILE SHALL BE REPLACED IN ACCORDANCE WITH SECTION 611 OF THE STANDARD SPECIFICATIONS. THE COST PER CONTRACT UNIT PRICE OF ITEMS INCLUDED IN THIS CONTRACT SHALL BE PAID FOR AS STATED IN SECTION 611 OF THE STANDARD SPECIFICATIONS. IF THE CONTRACT UNIT PRICE IS NOT INCLUDED IN THIS CONTRACT, PAYMENT FOR THIS WORK WILL BE IN ACCORDANCE WITH ARTICLE 109.04 OF THE STANDARD SPECIFICATIONS.
  2. THE DIAMETER OF THE PROPOSED STORM SEWER SHALL BE EQUAL TO OR GREATER THAN THE EXISTING FIELD TILE.
  3. THE REINFORCED CONCRETE LID SHALL BE CLASS SI CONCRETE (MISCELLANEOUS) OR PRECAST REINFORCED CONCRETE.
  4. FIELD TILES LESS THAN 7" DIAMETER INTERCEPTED BY THE BACKSLOPE SHALL BE CRUSHED AND REMAIN IN PLACE UNDER THE ROADBED. INTERCEPTED FIELD TILES 7" OR LARGER IN DIAMETER SHALL BE REMOVED AND BACKFILLED IN ACCORDANCE WITH ARTICLE 611.03.
  5. FOR DIAMETERS LESS THAN 12" OF "STORM SEWERS PROTECTED, CLASS A", MATERIALS OTHER THAN CONCRETE MAY BE APPROVED WITH APPROVAL BY THE ENGINEER. WHEN USING FLEXIBLE PIPE AS LISTED IN THE FIRST TABLE OF ARTICLE 550.03, THE TRENCH SHALL BE BACKFILLED ACCORDING TO ARTICLE 550.07. ALL "BELLED" PIPE WILL REQUIRE AT LEAST 4" OF AGGREGATE BELOW THE PIPE COVERING THE FULL WIDTH OF THE TRENCH.

ALL DIMENSIONS ARE IN INCHES UNLESS OTHERWISE SHOWN.

REVISIONS	
NAME	DATE

ILLINOIS DEPARTMENT OF TRANSPORTATION

MISCELLANEOUS CONSTRUCTION DETAILS - FIELD TILE & PIPE TEE PLUG

SCALE: N/A  
DATE: 03/06/2012

DRAWN BY: IDOT D6  
CHECKED BY: IDOT D6

Default L:\DOT\030601\Draw\Sheets\030601\Draw\72829-snt-details\_005.dgn 3/6/2012