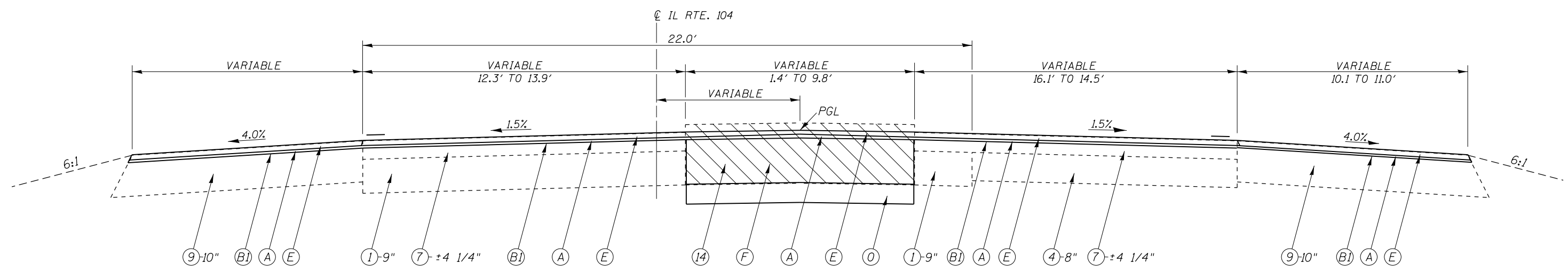


STA. 74+82.00 TO STA. 78+49

NOTE:
PROPOSED STRIPING FOR PAVEMENT
EDGE LINES SHALL ALLOW FOR 11'-0"
LANES, EACH DIRECTION. END AT
STA. 78+49.

TYPICAL #6



STA. 78+49 TO STA. 80+23 ----- CORRUGATED CONCRETE MEDIAN

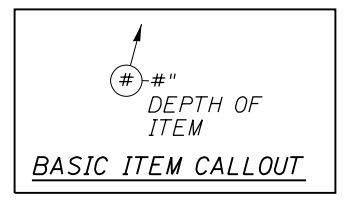
TYPICAL #7

EXISTING LEGEND

- ① P.C.C. PAVEMENT
- ② CONCRETE PAVEMENT
- ③ P.C.C. BASE COURSE
- ④ P.C.C. BASE COURSE WIDENING
- ⑤ BITUMINOUS CONCRETE BASE COURSE
- ⑥ BITUMINOUS CONCRETE BASE COURSE WIDENING
- ⑦ BITUMINOUS CONCRETE SURFACE COURSE
- ⑧ BITUMINOUS SHOULDERS
- ⑨ STABILIZED SHOULDERS
- ⑩ AGGREGATE SHOULDERS
- ⑪ P.C.C. GUTTER
- ⑫ P.C.C. MEDIAN OR EARTHEN MEDIAN
- ⑬ COMBINATION CONCRETE CURB & GUTTER, TYPE M 6.06
- ⑭ CONCRETE CORRUGATED MEDIAN
- ⑮ STABILIZED SUB-BASE MATERIAL, 4"

PROPOSED LEGEND

- Ⓐ LEVELING BINDER (MACHINE METHOD), N90, 1"
- Ⓑ HOT-MIX ASPHALT SURFACE REMOVAL, VARIABLE DEPTH
- Ⓑ1 HOT -MIX ASPHALT SURFACE REMOVAL, 2"
- Ⓒ LEVELING BINDER (MACHINE METHOD), N70, 3/4"
- Ⓓ HOT-MIX ASPHALT SURFACE COURSE, MIX "D", N70, 1 1/2"
- Ⓔ HOT-MIX ASPHALT SURFACE COURSE, MIX "D", N90, 1 1/2"
- Ⓕ HOT-MIX ASPHALT BASE COURSE, 12"
- Ⓖ COMBINATION CONCRETE CURB & GUTTER, TYPE M 6.06
- Ⓗ AGGREGATE SHOULDER, TYPE B
- Ⓘ SUB-BASE GRANULAR MATERIAL, TYPE B, 4"
- Ⓝ P.C.C. MEDIAN SURFACE, 4" OR EARTHEN MEDIAN
- Ⓚ PAVEMENT MARKING - LINE 5"
- Ⓛ PIPE DRAIN, 6" DIAMETER
- Ⓜ COMBINATION CONCRETE CURB & GUTTER, TYPE M 6.24
- Ⓝ HOT-MIX ASPHALT SHOULDERS, 9"
- Ⓞ SUBBASE GRANULAR MATERIAL, TYPE A, 4"



| | | | | | | | | | | | | | |
|--|------------------------------------|-----------------|-----------|---|-------------------------------|--------------------------|------|-------------|---------|---------------------|--------------|-----------|----|
| FILE NAME = | USER NAME = sparksgw | DESIGNED - RTS | REVISED - | STATE OF ILLINOIS DEPARTMENT OF TRANSPORTATION | TYPICAL CROSS SECTIONS | | | F.A.P. RTE. | SECTION | COUNTY | TOTAL SHEETS | SHEET NO. | |
| et:\pw\work\p\idot\sparksgw\10245433\067 | BE12-Tms typicals.dgn | DRAWN - RTS | REVISED - | | SCALE: | SHEET NO. 4 OF 11 SHEETS | STA. | TO STA. | 753 | (140RS-6, 141RS-7)I | SANGAMON | 98 | 12 |
| | PLOT SCALE = 4.0000' / in. | CHECKED - | REVISED - | | CONTRACT NO. 72E12 | | | | | | | | |
| | PLOT DATE = Apr-09-2012 03:33:09PM | DATE - 01-04-12 | REVISED - | | ILLINOIS FED. AID PROJECT | | | | | | | | |